

KEY	PART NO.	PART NAME	QTY	REMARKS
1	RE525458	CYLINDER HEAD	1	MARKED R520778
1	SE501808	CYLINDER HEAD REMAN	1	REMAN FOR RE525458
2	R98063	VALVE SEAT INSERT	4	(Intake) OD = 47.168 mm
2	R106831	VALVE SEAT INSERT	AR	(Intake) OD = 47.193 mm
2	R98335	VALVE SEAT INSERT	1	(Intake) OD = 47.168 mm
3	R98062	INTAKE VALVE	4	OD STD
3	R97490	INTAKE VALVE	AR	OS + 0.381 mm
3	R97491	INTAKE VALVE	AR	OS + 0.762 mm
4	R85687	VALVE SEAT INSERT	4	(Exhaust) OD = 43.051 mm
4	R106828	VALVE SEAT INSERT	1	(Exhaust) OD = 43.076 mm
4	R93910	VALVE SEAT INSERT	1	(Exhaust) OD = 43.051 mm
5	R90692	EXHAUST VALVE	4	OD STD
5	R97492	EXHAUST VALVE	AR	OS + 0.381 mm
5	R97493	EXHAUST VALVE	AR	OS + 0.762 mm
6	R43409	PLUG	2	OD = 43.3 mm
7	T58477	FITTING	1	ALSO ORDER R26906
8	R26906	O-RING	1	
9	CD16284	PLUG	4	OD = 32.6 mm?, REAR
10	RE527456	SLEEVE	4	
11	R91889	RETAINER	16	OD = 11.7 mm
12	RE60005	ROTATOR	8	
13	R26125	SPRING	8	
14	RE31617	SEAL	8	SUB FOR APPL RE529811
15	R534091	CAP SCREW	2	
16	R116515	ENGINE CYLINDER HEAD GASKET	1	
17	R85363	CAP SCREW	16	
18	RE515696	FITTING PLUG	1	

<https://www.ebooklibonline.com>

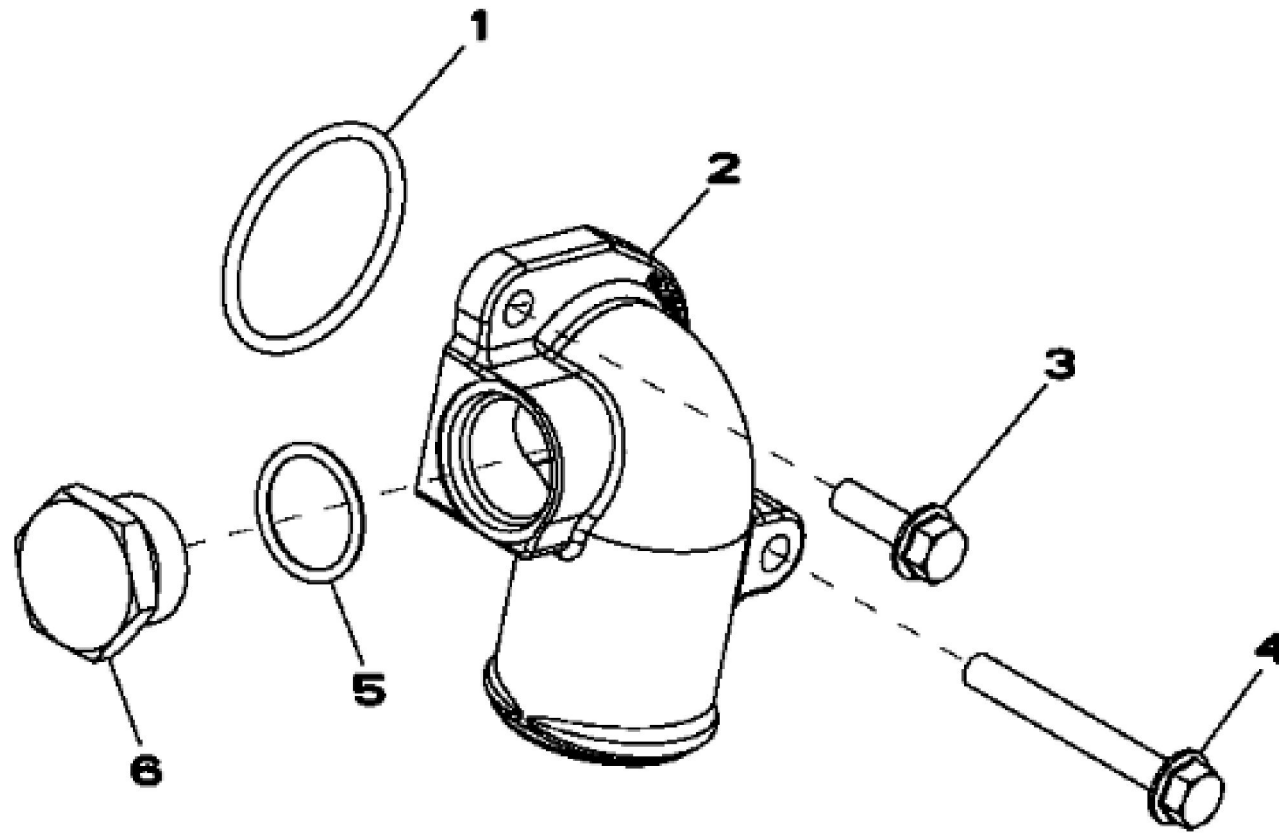
Hello dear friend!

Thank you very much for reading.

Enter the link into your browser.

The full manual is available for immediate download.

<https://www.ebooklibonline.com>



RE530087PCDA03

John Deere > Construction And Forestry >DOZER, CRAWLER >450J - DOZER, CRAWLER >450J Crawler Dozer (S.N. 159987-) Engine:4045HT059,4045HT074 >04A ENGINE 4045HT059 >0400A ENGINE 4045HT059 4045HT059 >ST58019 - 5728 WATER PUMP INTAKE

KEY	PART NO.	PART NAME	QTY	REMARKS	
1	R89944	O-RING	1		
2	R522686	ELBOW FITTING	1		
3	19M7867	SCREW	1	M8 X 25	
4	19M7802	SCREW	1	M8 X 65	
5	U17409	O-RING	1		
6	R82718	DRAIN PLUG	1		



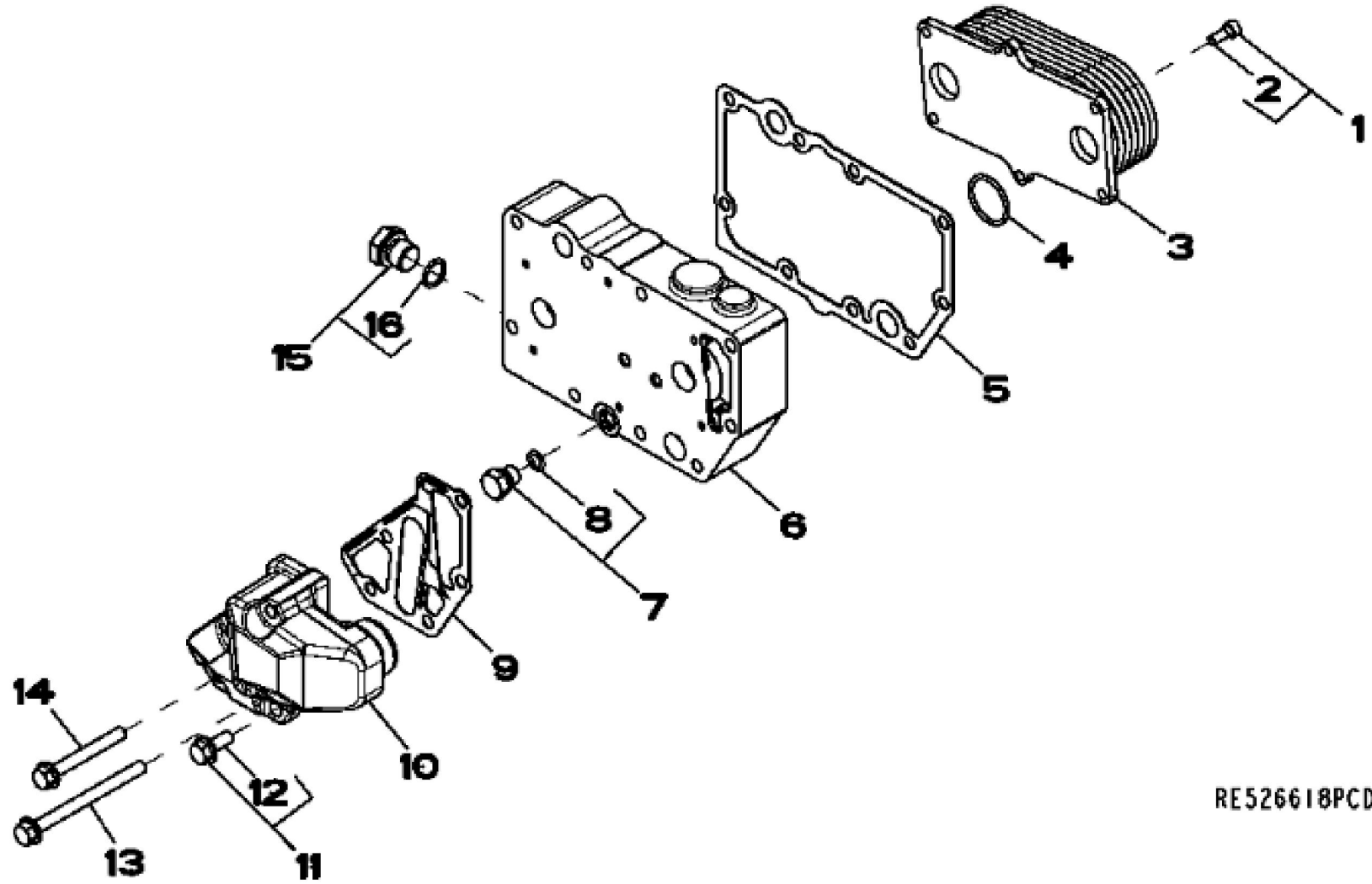
Suggest:

For more complete manuals. Please go to the home page.

<https://www.ebooklibonline.com>

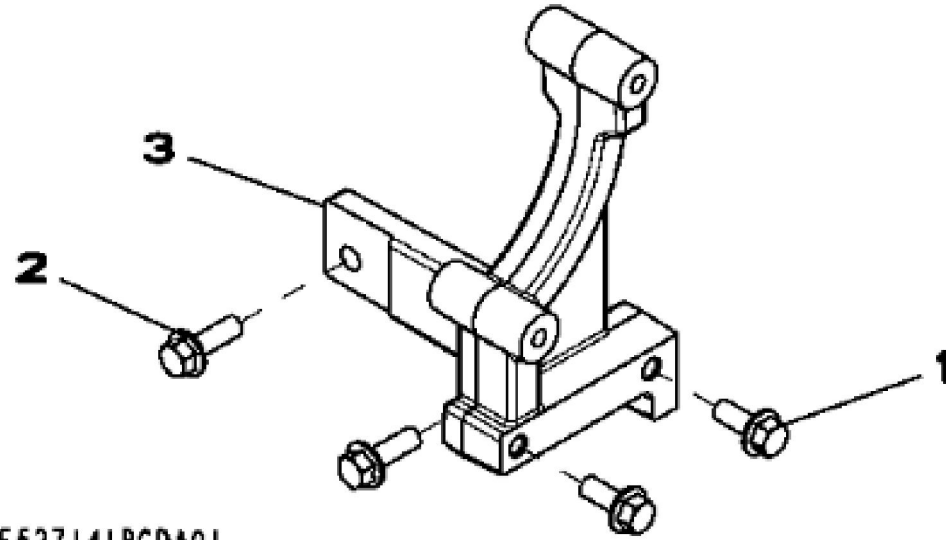
If the above button click is invalid. Please download this document first, and then click the above link to download the complete manual.

Thank you so much for reading



RE526618PCDA02

KEY	PART NO.	PART NAME	QTY	REMARKS
1	RE67231	SCREW	6	
2	19M8553	SCREW	1	M6 X 16
3	RE560752	OIL COOLER	1	(7 PLATES) SUB FOR RE56690
4	T122075	O-RING	2	
5	R123501	GASKET	1	
6	R521037	HOUSING	1	
7	RE46686	FITTING	1	
8	51M7040	O-RING	1	9.300 X 2.200 mm
9	R501428	GASKET	1	
10	R502811	ADAPTER FITTING	1	
11	RE67238	SCREW	1	
12	19M7866	SCREW	1	M8 X 20
13	19M7970	SCREW	2	M8 X 100
14	19M7802	SCREW	2	M8 X 65
15	RE46685	FITTING PLUG	1	
16	51M7043	O-RING	1	15.300 X 2.200 mm



RE527141PCDA01

<https://www.ebooklibonline.com>

Hello dear friend!

Thank you very much for reading.

Enter the link into your browser.

The full manual is available for immediate download.

<https://www.ebooklibonline.com>