

TX1004795

KEY	PART NO.	PART NAME	QTY	Engine Serial No.	450H	550H	650H	REMARKS
1	RE516099	SHORT BLOCK ASSEMBLY	1	____-XXXXXX	X	X	X	(WITH TURBOCHARGER) (WITHOUT FRONT PLATE) (MARKED R115081) (SUB FOR RE65953)(4045TT057, 058, 064, 065, 066, 083, 091)
1	RE520023	SHORT BLOCK ASSEMBLY	1	XXXXXX-____	X	X	X	(WITH TURBOCHARGER) (WITHOUT FRONT PLATE) (MARKED R115081)(4045TT084, 085, 086, 087, 090, HT050)
1	RE516100	SHORT BLOCK ASSEMBLY	1	____-XXXXXX	X			(WITHOUT TURBOCHARGER) (WITHOUT FRONT PLATE) (4045DT053 ONLY), (MARKED R115081) (SUB FOR RE65953)
1	RE520031	SHORT BLOCK ASSEMBLY	1	XXXXXX-____	X			(WITHOUT TURBOCHARGER) (WITHOUT FRONT PLATE) (4045DT057 ONLY), (MARKED R115081) (SUB FOR RE65951)
..	SE500711	COMPLETE BLOCK ASSY REMAN	1		X			(4045DT053, DT057)
..	SE500716	COMPLETE BLOCK ASSY REMAN	1		X	X	X	(4045TT057, TT058, TT064, TT065, TT066, TT083, TT091)
..	SE500717	COMPLETE BLOCK ASSY REMAN	1		X	X	X	(4045TT084, 085, 086, 087, 090, HT050, HT051)
..	SE501286	DIESEL ENGINE REMAN	1				X	(4045TT066)
..	SE501285	DIESEL ENGINE REMAN	1		X			(4045TT057)
..	SE501730	DIESEL ENGINE REMAN	1		X	X		(4045TT090)
..	SE501734	DIESEL ENGINE REMAN	1				X	(4045HT050)
..	SE501735	DIESEL ENGINE REMAN	1				X	(4045HT051)

<https://www.ebooklibonline.com>

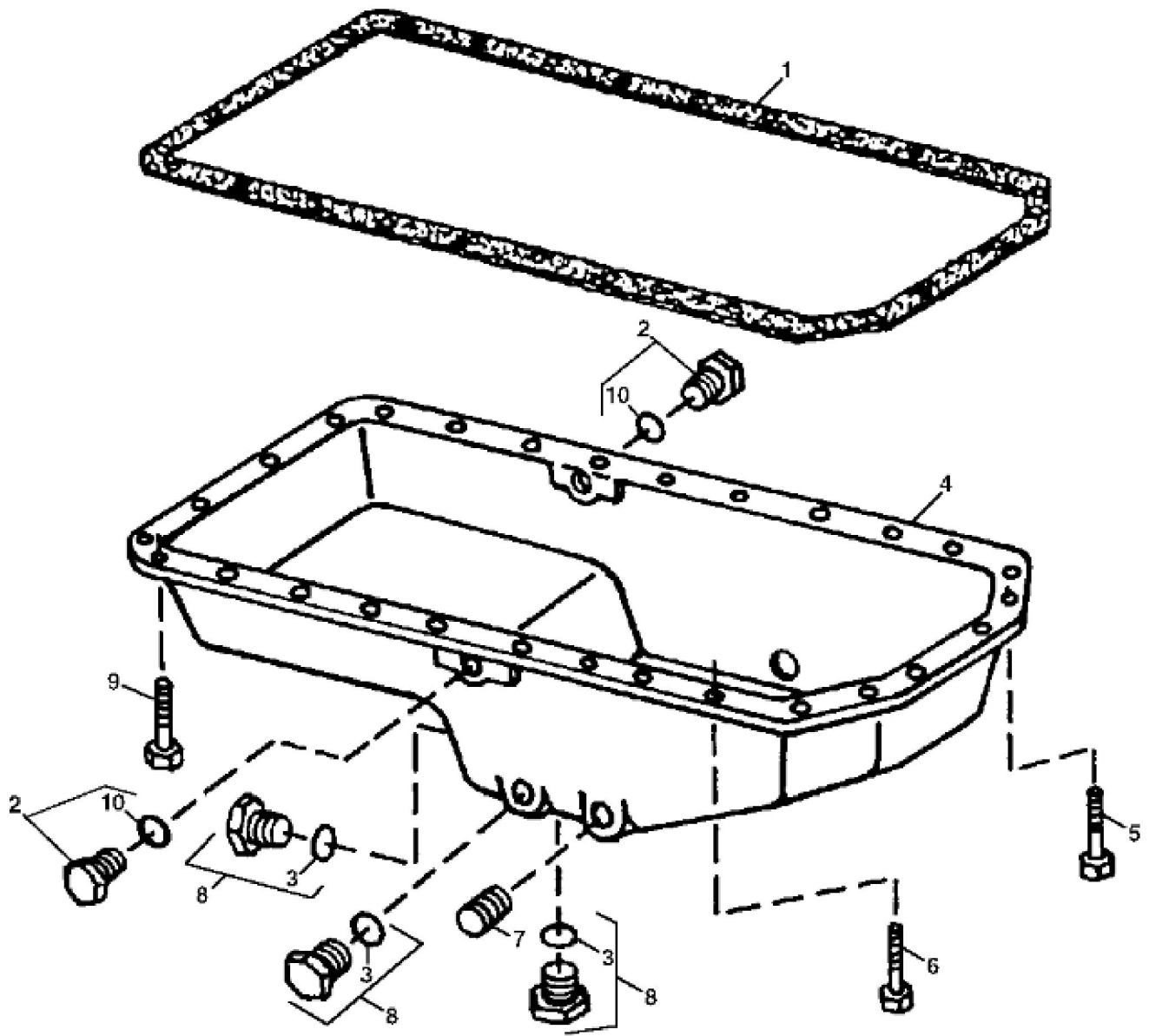
Hello dear friend!

Thank you very much for reading.

Enter the link into your browser.

The full manual is available for immediate download.

<https://www.ebooklibonline.com>



TP80038

KEY	PART NO.	PART NAME	QTY	450H	550H	650H	REMARKS
1	R123353	GASKET	1	X	X	X	(USE WITH R121621)
1	R521493	GASKET	1	X	X	X	(USE WITH RE520147)
2	RE46687	DRAIN PLUG	2	X	X	X	
3	51M7043	O-RING	3	X	X	X	15.300 X 2.200 mm
4	R121621	OIL PAN	1	X	X	X	(ALUMINUM)
4	RE520147	OIL PAN	1	X	X	X	(STAMPED STEEL)
5	19M7868	SCREW	6	X	X	X	M8 X 30, (USE WITH R121621)
5	19M8062	SCREW	6	X	X	X	M8 X 20, (USE WITH RE520147)
6	19M7867	SCREW	18	X	X	X	M8 X 25, (USE WITH R121621)
6	19M8163	BOLT	22	X	X	X	M8 X 16, (USE WITH RE520147)
7	15H690	PIPE PLUG	1	X	X	X	3/4"
8	RE46685	FITTING PLUG	3	X	X	X	
9	19M7799	SCREW	4	X	X	X	M8 X 45, (USE WITH R121621)
9	19M8986	SCREW	2	X	X	X	M8 X 100, (USE WITH RE520147)
10	51M7045	O-RING	2	X	X	X	19.300 X 2.200 mm



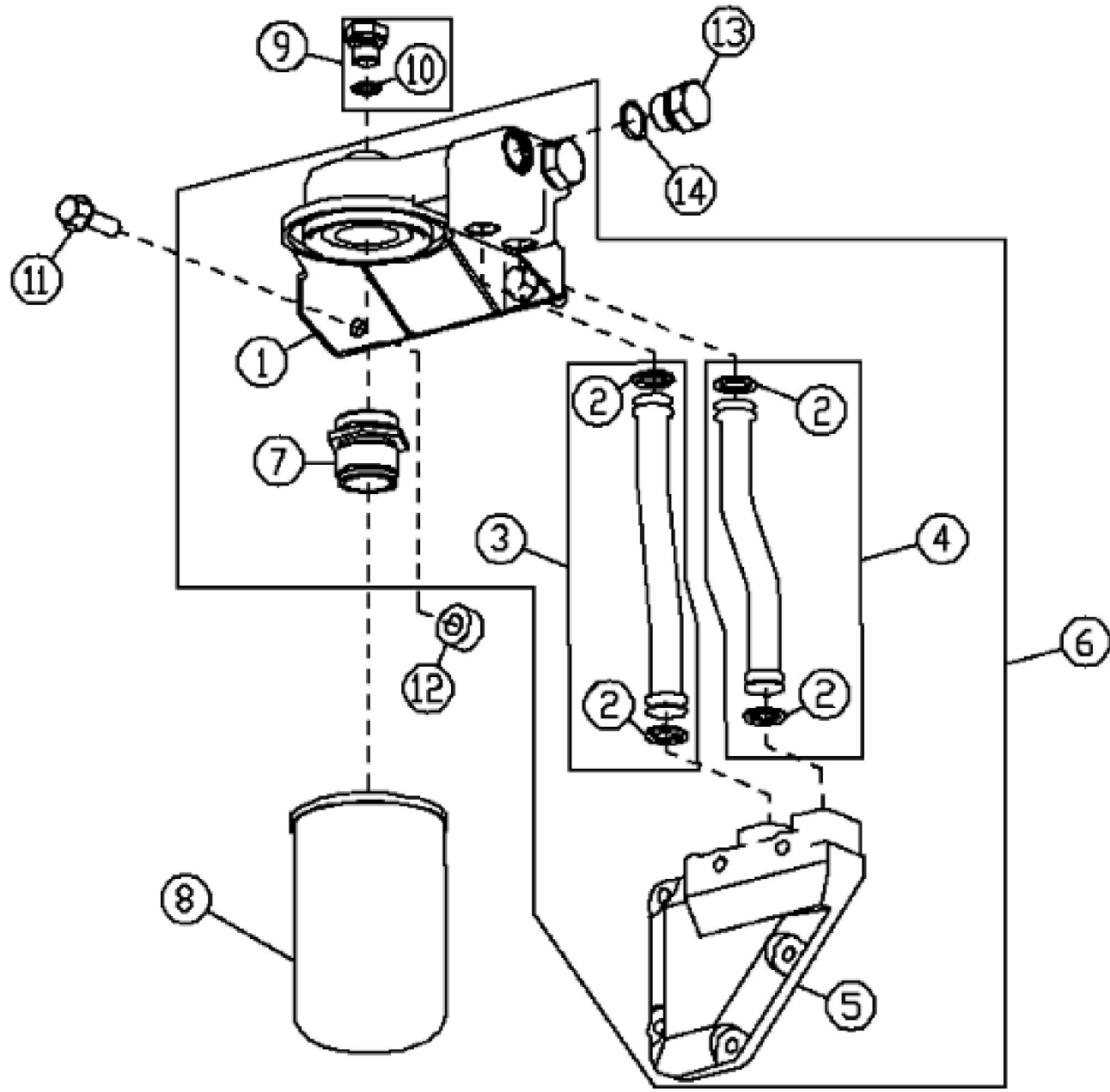
Suggest:

For more complete manuals. Please go to the home page.

<https://www.ebooklibonline.com>

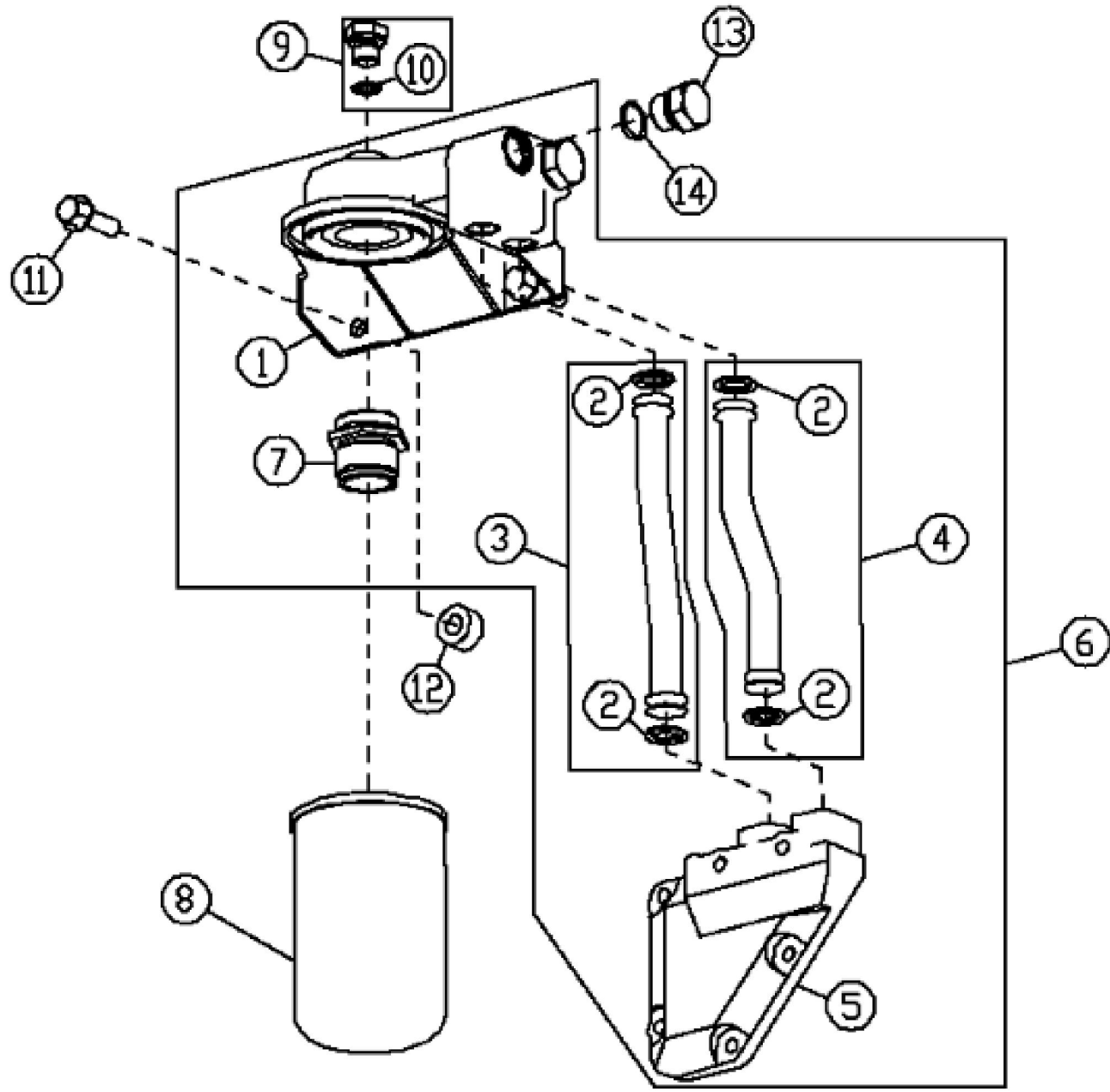
If the above button click is invalid. Please download this document first, and then click the above link to download the complete manual.

Thank you so much for reading



John Deere > Construction And Forestry > BULLDOZER > 650H - BULLDOZER > 450H, 550H and 650H Crawler > 04 ENGINE 4 4045 > 0407 ENGINE OILING SYSTEM 4045 4045 > ST264595 - ENGINE OIL FILTER AND FILTER HEAD (450H, 550H) (- 910010)

KEY	PART NO.	PART NAME	QTY	Engine Serial No.	450H	550H	REMARKS
1	RE503727	FILTER HEAD	1		X	X	(MARKED R501439)
2	R56462	O-RING	4	____-XXXXXX	X	X	(USE WITH RE502660, RE506818, RE519742 OR RE502661)
2	R517488	O-RING	2	XXXXXX-____	X	X	(USE WITH RE519742)
2	R518507	O-RING	2	XXXXXX-____	X	X	(USE WITH RE519743)
3	RE502660	TUBE	1	____-850628	X	X	(REAR)
3	RE506818	TUBE	1	850629-XXXXXX	X	X	(SUB RE519742)
3	RE519742	TUBE	1	XXXXXX-____	X	X	
4	RE502661	TUBE	1	____-850628	X	X	(FRONT)
4	RE506819	TUBE	1	850629-XXXXXX	X	X	(SUB RE519743)
4	RE519743	TUBE	1	XXXXXX-____	X	X	
5	R501436	ADAPTER	1		X	X	
6	RE509313	FILTER KIT	1		X	X	(SUB RE503727, RE506818, RE506819, R501436) (SUB FOR RE504472)
7	ADAPTER FITTING	1		X	X	(R123591 NLA), (ORDER RE503727)
8	RE59754	OIL FILTER	1		X	X	1 1/2"-16 UN28
9	RE46716	FITTING	1		X	X	
9	RE52242	DRAIN PLUG	1	857251-____	X	X	
10	51M7042	O-RING	1		X	X	13.300 X 2.200 mm
11	19M7835	SCREW	2		X	X	M10 X 35
12	R114358	SPACER	1		X	X	
13	RE46687	DRAIN PLUG	2		X	X	
14	51M7045	O-RING	2		X	X	19.300 X 2.200 mm



<https://www.ebooklibonline.com>

Hello dear friend!

Thank you very much for reading.

Enter the link into your browser.

The full manual is available for immediate download.

<https://www.ebooklibonline.com>