

TP62370

John Deere > Construction And Forestry >BULLDOZER >650G - BULLDOZER >450G, 455G, 550G, 555G and 650G Crawler Loaders and Bulldozers >04 ENGINE 4 >0402 CAMSHAFT AND VALVE ACTUATING MEANS >ST401804 - ROCKER ARM COVER AND ENGINE OIL FILLER CAP (ENGINE SERIAL NO. 742460- )

KEY	PART NO.	PART NAME	QTY	REMARKS
1	H23125	PLUG	4	
2	R123574	NUT	1	
3	R123575	O-RING	4	
4	R116324	MEDALLION	1	
5	RE70041	ADAPTER FITTING	1	
6	R502902	PACKING	1	(SUB FOR R500001)
7	RE70401	VALVE COVER	1	
8	R123542	GASKET	1	
9	TY22470	CLAMP	3	(SUB FOR AR21840, THIS APPLICATION)
10	T161308	HOSE	1	
11	R120864	DIPSTICK TUBE	1	
12	RE500250	FILLER CAP	1	

**<https://www.ebooklibonline.com>**

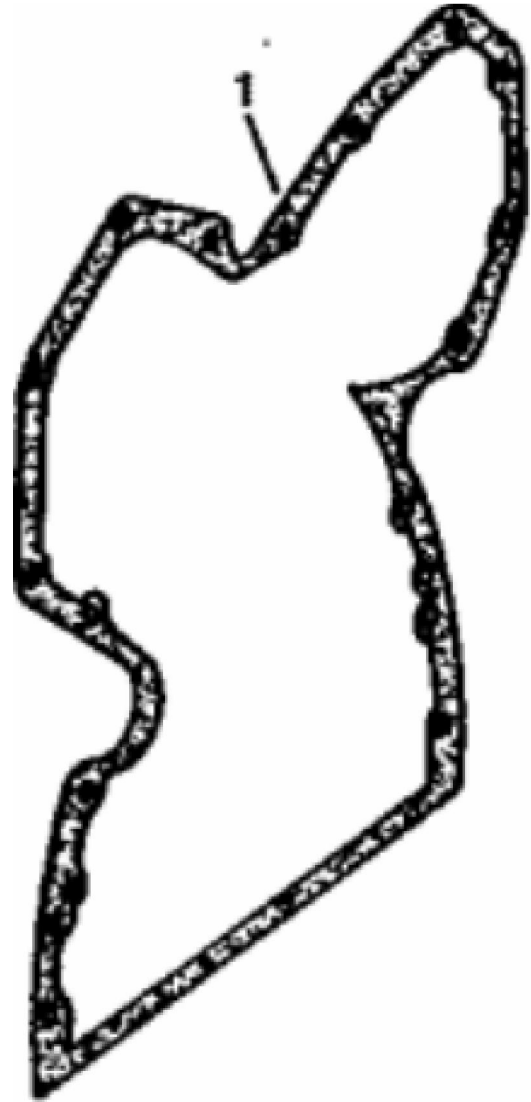
Hello dear friend!

Thank you very much for reading.

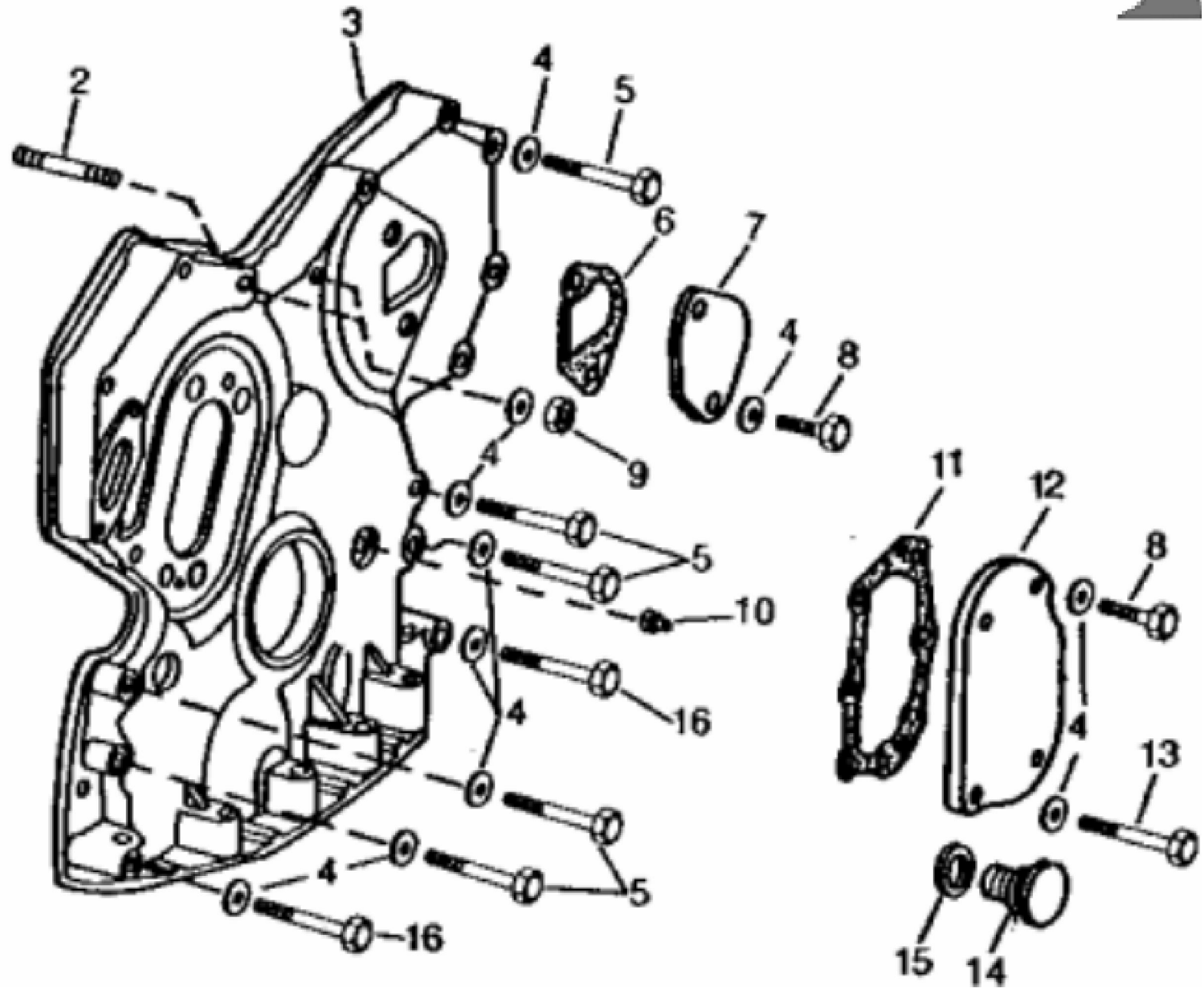
Enter the link into your browser.

The full manual is available for immediate download.

**<https://www.ebooklibonline.com>**



TP1523



John Deere > Construction And Forestry >BULLDOZER >650G - BULLDOZER >450G, 455G, 550G, 555G and 650G Crawler Loaders and Bulldozers >04 ENGINE 4 >0402 CAMSHAFT AND VALVE ACTUATING MEANS >ST401806 - TIMING GEAR COVER (ENGINE SERIAL NO. -299999)

KEY	PART NO.	PART NAME	QTY	REMARKS
1	R126513	GASKET	1	(SUB FOR T20155, R97454, R119269 OR R121314)
2	R122226	STUD	2	(SUB FOR R122226)
3	AR58196	COVER	1	(MARKED R52880 ) (ALSO ORDER T20272, T20273, 15H275, 19H1726, (3) 19H2284, (4) 24H1304)
4	24H1304	WASHER	AR	13/32" X 23/32" X 0.120"
5	19H2549	CAP SCREW	10	3/8" X 1-7/8"
6	R125066	GASKET	1	(SUB FOR R78366 OR R97773)
7	R126041	COVER	1	(SUB FOR R122618, THIS APPLICATION ) (SUB FOR T20362)
8	R124277	CAP SCREW	2	
9	14H812	NUT	2	3/8"
10	15H275	PIPE PLUG	1	1/4", 1/4"
11	T20273	GASKET	1	
12	T20272	COVER	1	
13	19H1819	CAP SCREW	1	3/8" X 2-1/8"
14	T27657	FITTING PLUG	1	
15	A4827R	WASHER	1	
16	19H3031	CAP SCREW	2	3/8" X 2-1/2"



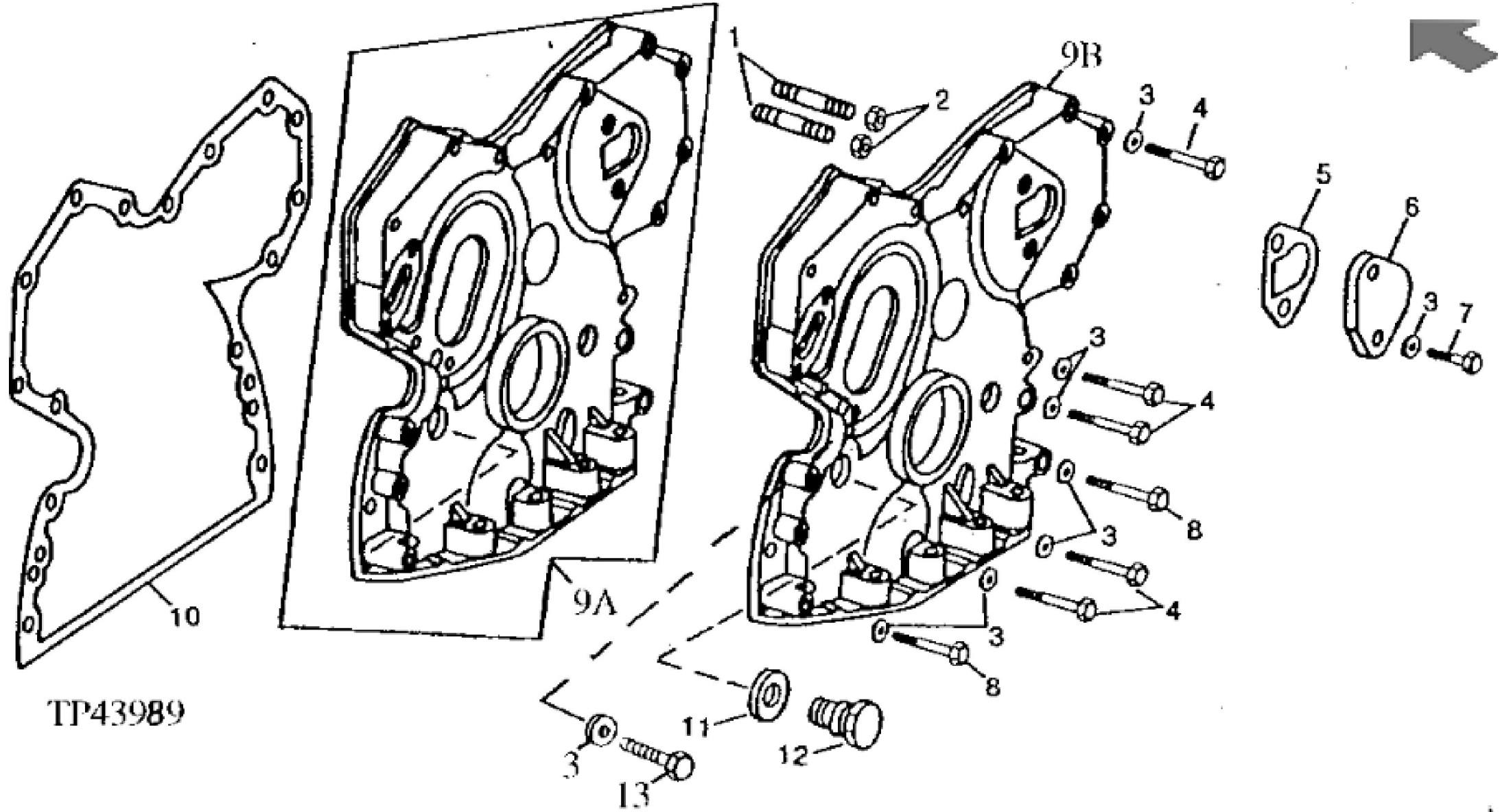
**Suggest:**

**For more complete manuals. Please go to the home page.**

**<https://www.ebooklibonline.com>**

**If the above button click is invalid. Please download this document first, and then click the above link to download the complete manual.**

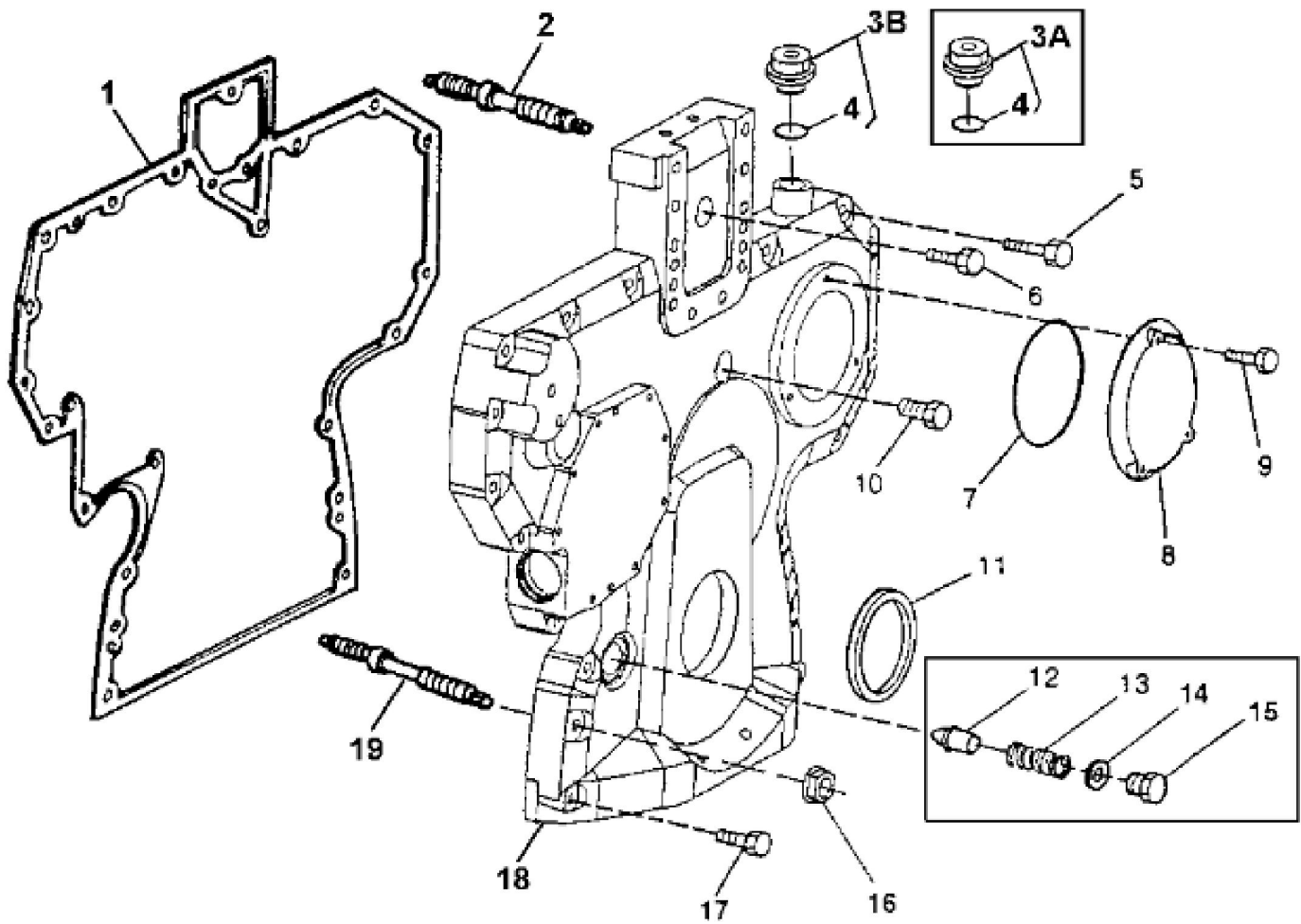
**Thank you so much for reading**



TP43989

John Deere > Construction And Forestry >BULLDOZER >650G - BULLDOZER >450G, 455G, 550G, 555G and 650G Crawler Loaders and Bulldozers >04 ENGINE 4 >0402 CAMSHAFT AND VALVE ACTUATING MEANS >ST401807 - TIMING GEAR COVER (ENGINE SERIAL NO. 300000-742459)

KEY	PART NO.	PART NAME	QTY	Engine Serial No.	REMARKS
1	R122226	STUD	2		(SUB FOR R122226)
2	N10215	LOCK NUT	2		9.525 mm (3/8"), (SUB FOR 14H812, THIS APPLICATION)
2	24M7106	WASHER	2		10 X 18 X 2.500 mm
3	24M7106	WASHER	AR		10 X 18 X 2.500 mm
4	19H3408	SCREW	5		3/8" X 1-3/4"
4	19H3693	SCREW	5		3/8" X 1-1/4"
5	R125066	GASKET	1		(SUB FOR R97773)
6	R126041	COVER	1		(SUB FOR T20362)
7	R124277	CAP SCREW	2		(SUB FOR R122618, THIS APPLICATION)
8	19H3733	SCREW	2		3/8" X 2-1/2"
9A	RE39252	COVER	1	____-426683	WITH INSERTS, (SUB FOR RE27895)
9B	RE56443	COVER	1	426684-____	
10	R126513	GASKET	1		(SUB FOR R97454, R119269 OR R121314)
11	A4827R	WASHER	1		
12	T27657	FITTING PLUG	1		
13	19H1819	CAP SCREW	1	426684-____	3/8" X 2-1/8"



**<https://www.ebooklibonline.com>**

Hello dear friend!

Thank you very much for reading.

Enter the link into your browser.

The full manual is available for immediate download.

**<https://www.ebooklibonline.com>**