

T44042

John Deere > Construction And Forestry >BULLDOZER >450E - BULLDOZER >450E Crawler Bulldozer >4 ENGINE 4 >CAMSHAFT AND VALVE ACTUATING MEANS 0402 >0402-4 - ROCKER ARM COVER  
[01D20]

KEY	PART NO.	PART NAME	QTY	REMARKS	
1	19H2036	CAP SCREW	1	1/4" X 7/8"	
2	12H302	LOCK WASHER	1	1/4"	
3	R64764	WASHER	1		
4	AR65864	FILLER CAP	1		
5	AR103811	SCREW WITH WASHER	7	(SUB FOR AR100124)	
6	AR71130	VALVE COVER	1		
7	R73521	GASKET	1		

**<https://www.ebooklibonline.com>**

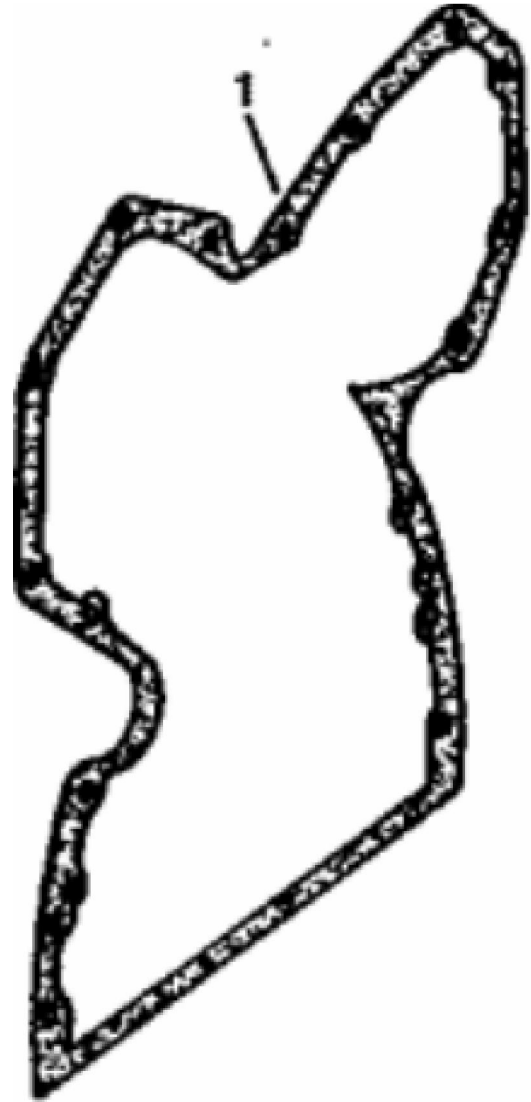
Hello dear friend!

Thank you very much for reading.

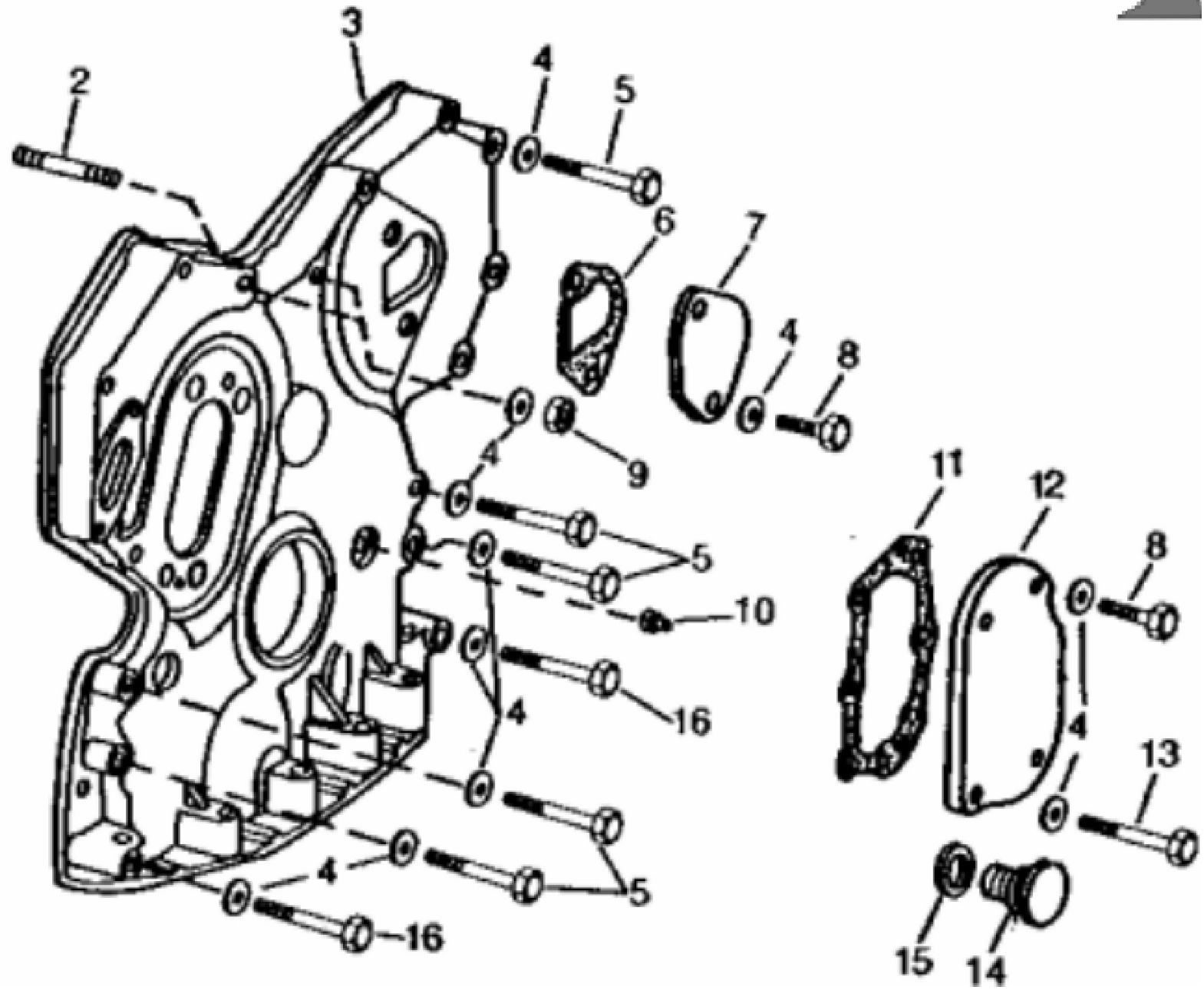
Enter the link into your browser.

The full manual is available for immediate download.

**<https://www.ebooklibonline.com>**



TP1523



KEY	PART NO.	PART NAME	QTY	REMARKS
1	T20155	GASKET	1	
2	R122226	STUD	2	(SUB FOR R122226)
3	RE39252	COVER	1	(ALSO ORDER T20272, T20273, 15H275, 19H1726, (3) 19H2284, (4) 24H1304) (SUB FOR RE27895)
4	24M7106	WASHER	AR	10 X 18 X 2.500 MM
5	19H2549	CAP SCREW	10	3/8" X 1-7/8"
6	R78366	GASKET	1	
7	R126041	COVER	1	(SUB FOR T20362)
8	19H2284	CAP SCREW	3	3/8" X 7/8"
8	R124277	SCREW	2	(USE WITH R126041) (SUB FOR R122618, THIS APPLICATION)
9	14H812	NUT	2	3/8"
10	15H275	PIPE PLUG	1	1/4"
11	T20273	GASKET	1	
12	T20272	COVER	1	
13	19H1726	CAP SCREW	1	3/8" X 2-1/4"
14	T27657	FITTING PLUG	1	
15	A4827R	WASHER	1	
16	19H3031	CAP SCREW	2	3/8" X 2-1/2"



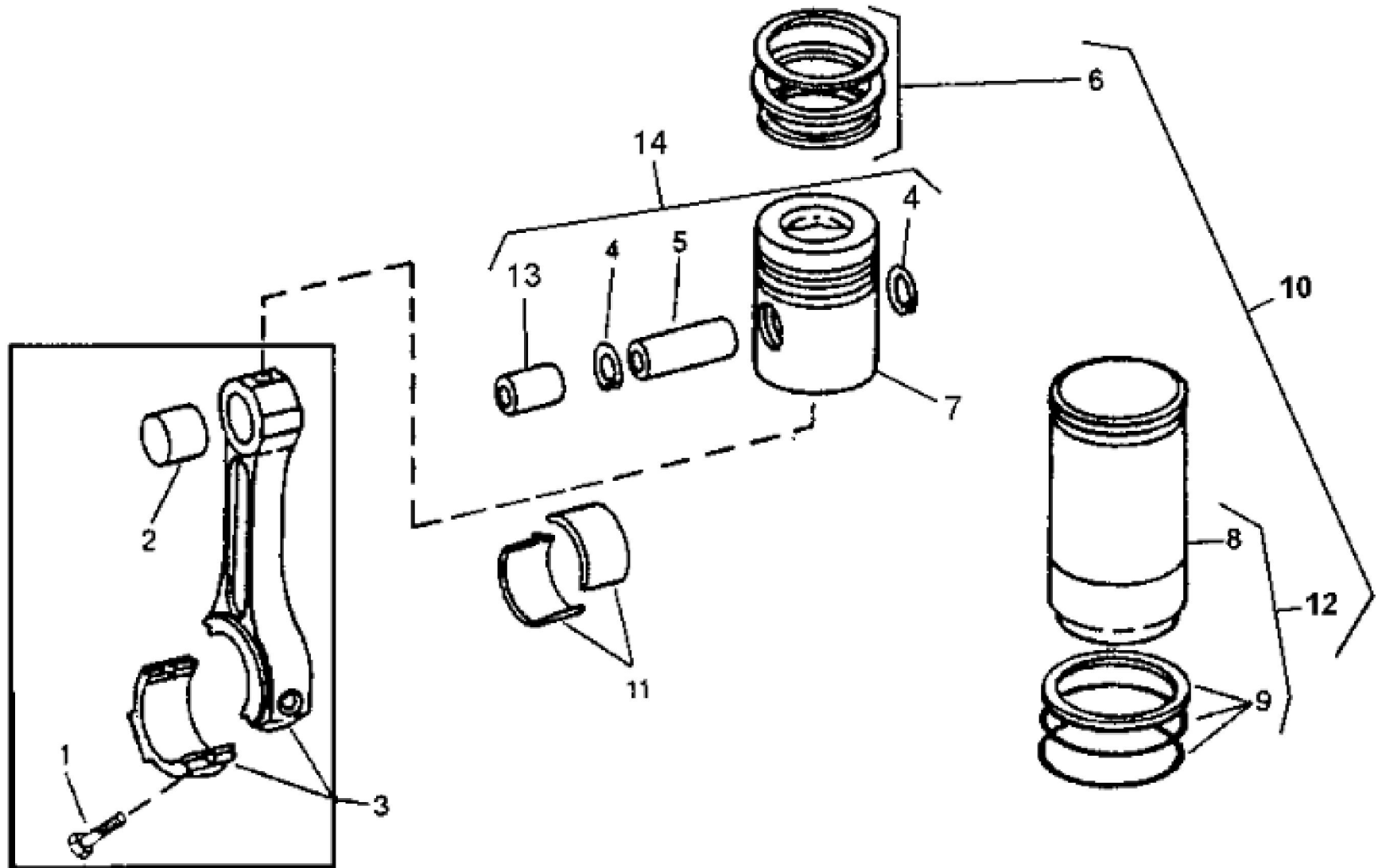
**Suggest:**

**For more complete manuals. Please go to the home page.**

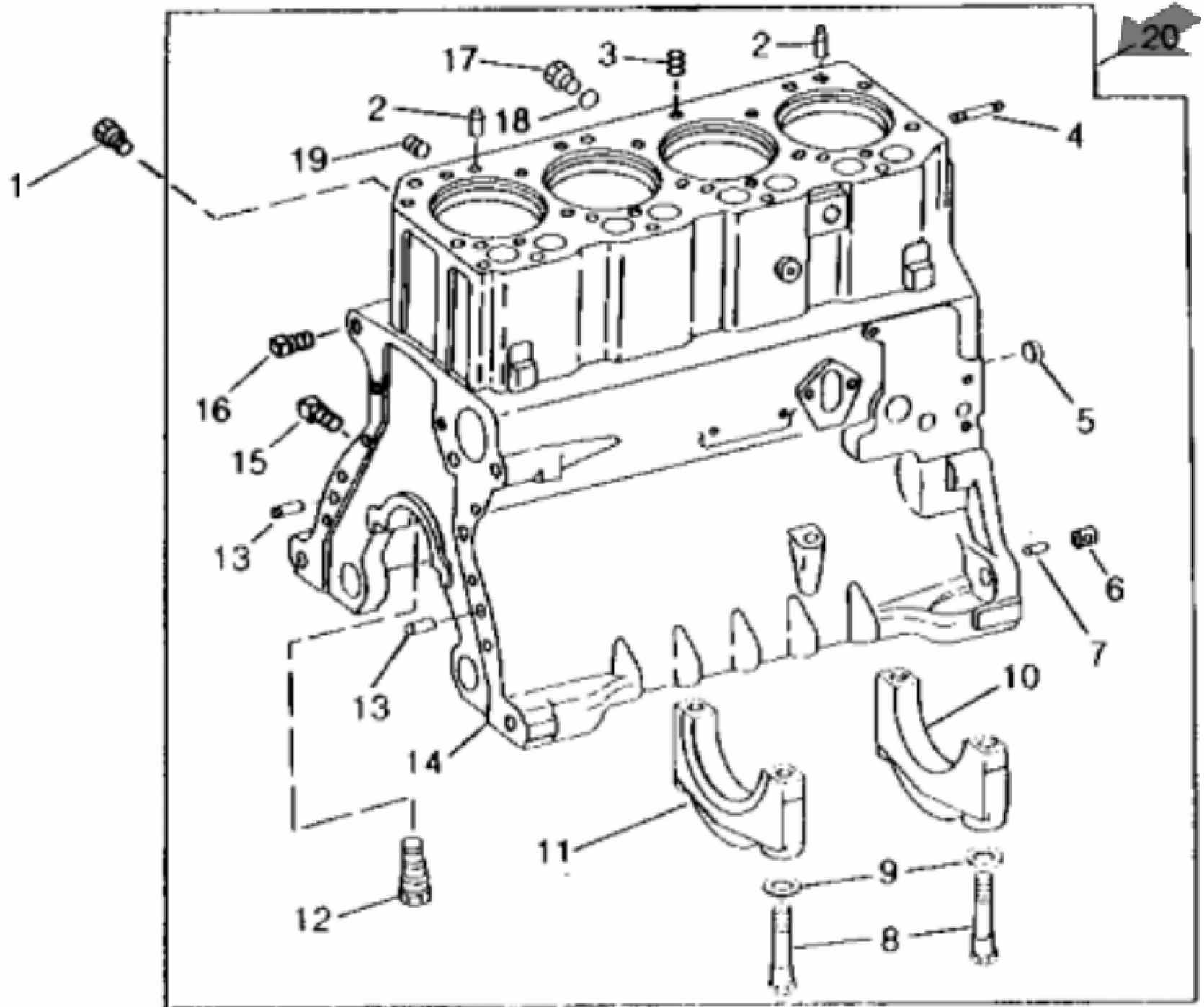
**<https://www.ebooklibonline.com>**

**If the above button click is invalid. Please download this document first, and then click the above link to download the complete manual.**

**Thank you so much for reading**



KEY	PART NO.	PART NAME	QTY	REMARKS
1	R74195	SCREW	8	
2	.....	BUSHING	4	( R56186 NO LONGER AVAILABLE)
3	RE53716	CONNECTING ROD	4	(MARKED R116851) (SUB FOR AR66400) (MARKED R56187)
4	R54114	SNAP RING	8	
5	.....	PIN	4	( R124230 NO LONGER AVAILABLE,FURNISH RE63913)
6	RE66820	PISTON RING KIT	4	(SUB FOR (4) RE15674 OR RE48818)
7	.....	PISTON	4	(MARKED AR68188) (FURNISH RE22678)
7	.....	PISTON	4	(MARKED RE28919) (FURNISH RE28966)
8	R121867	CYLINDER LINER	4	(SUB FOR R80500) (SUB RE500024)
9	AR65507	O-RING KIT	4	
10	RE19833	KIT	4	(USED WITH PISTON MARKED AR68188)
10	RE28966	KIT	4	(USED WITH PISTON MARKED RE28919)
11	AR97517	BEARING	4	STANDARD (SET OF (2) R54801)
11	.....	BEARING	4	( AR97652 NO LONGER AVAILABLE) 0.05 MM (.002") UNDERSIZE (SET OF (2) R73595)
11	AR97653	BEARING	4	0.25 MM (.010") UNDERSIZE (SET OF (2) R73596)
11	AR97654	BEARING	4	0.51 MM (.020") UNDERSIZE (SET OF (2) R73597)
11	AR97655	BEARING	4	0.76 MM (.030") UNDERSIZE (SET OF (2) R73598)
12	RE500024	CYLINDER LINER	4	
13	.....	BUSHING	4	
14	RE63913	KIT	4	



TP25159

**<https://www.ebooklibonline.com>**

Hello dear friend!

Thank you very much for reading.

Enter the link into your browser.

The full manual is available for immediate download.

**<https://www.ebooklibonline.com>**