

JOHN DEERE
RGP7163

CYLINDER HEAD

KEY	PART NO.	PART NAME	QTY	REMARKS
1	R91889	RETAINER	48	
2	SPRING	NA	
3	RE505499	SPRING KIT	24	
4	RE66635	SEAL	24	
5	R503971	BUSHING	24	
6	R134706	BUSHING	4	
7	R504713	VALVE SEAT INSERT	24	STD
7	R133637	VALVE SEAT INSERT	AR	.25 MM (.010") OS
8	R122035	VALVE	12	(EXHAUST) STD
9	R122035	VALVE	12	(INTAKE)
10	M1206T	PLUG	7	38 MM OD
11	15H690	PIPE PLUG	5	3/4"
12	R504174	PLUG	4	ORDER R524857
13	A3910R	PLUG	7	25 MM OD
14	34H309	SPRING PIN	4	1/4" X 5/8"
15	R504242	SLEEVE	6	
16	T122075	O-RING	6	
17	RE57784	ENGINE CYLINDER HEAD GASKET	1	
18	R129645	WASHER	26	(USE WITH R132103) (SUB R519524)
19	R132103	CAP SCREW	26	(SUB R519524)
19	RG28087	ENGINE KIT	1	(INCLUDES (26) R129645 AND (26) R132103) (SUB RE530817)
19	RE530817	BOLT KIT	1	(INCLUDES (26) R519524)
20	RE505119	CYLINDER HEAD	1	(MARKED R504243)

<https://www.ebooklibonline.com>

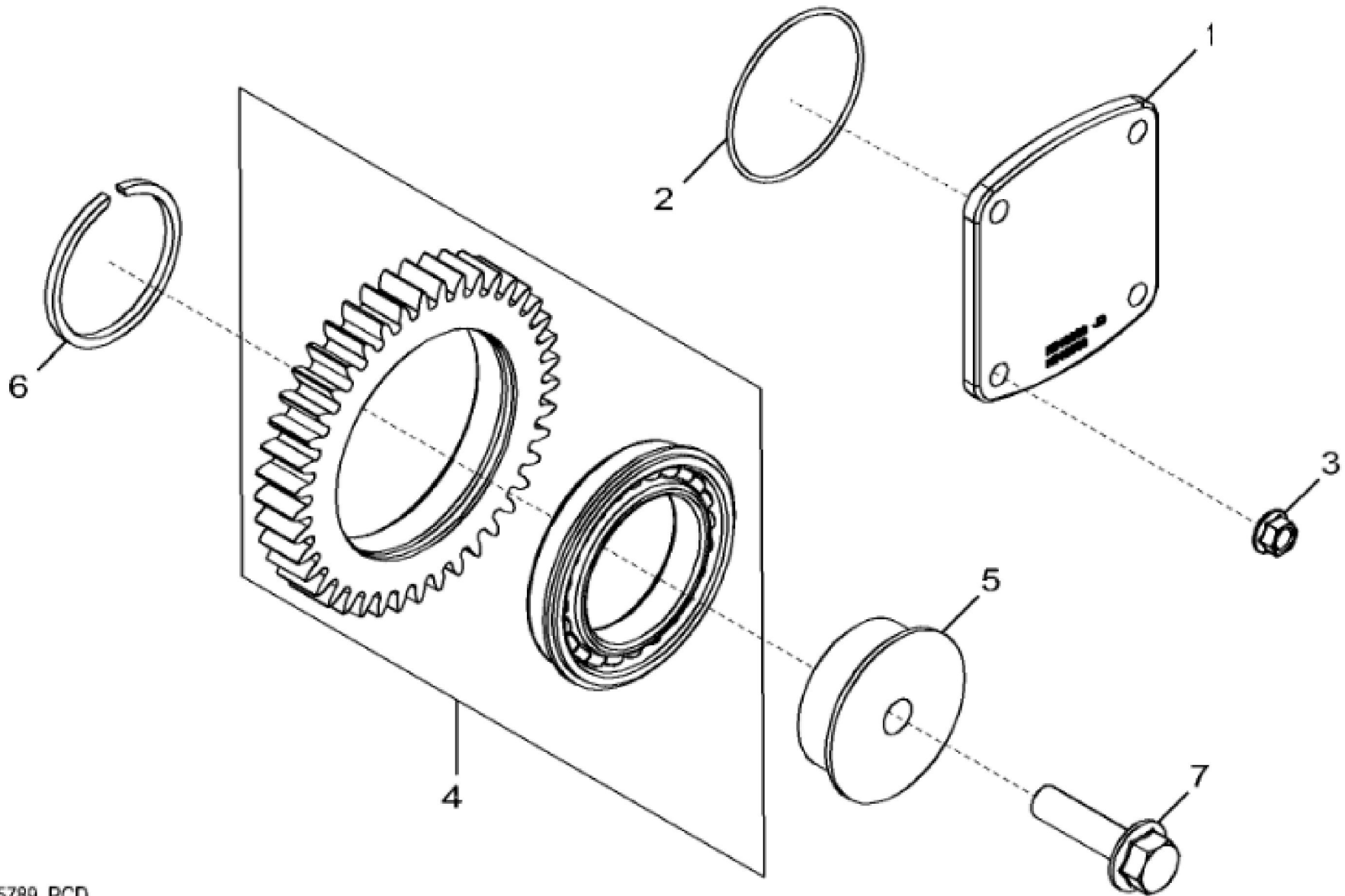
Hello dear friend!

Thank you very much for reading.

Enter the link into your browser.

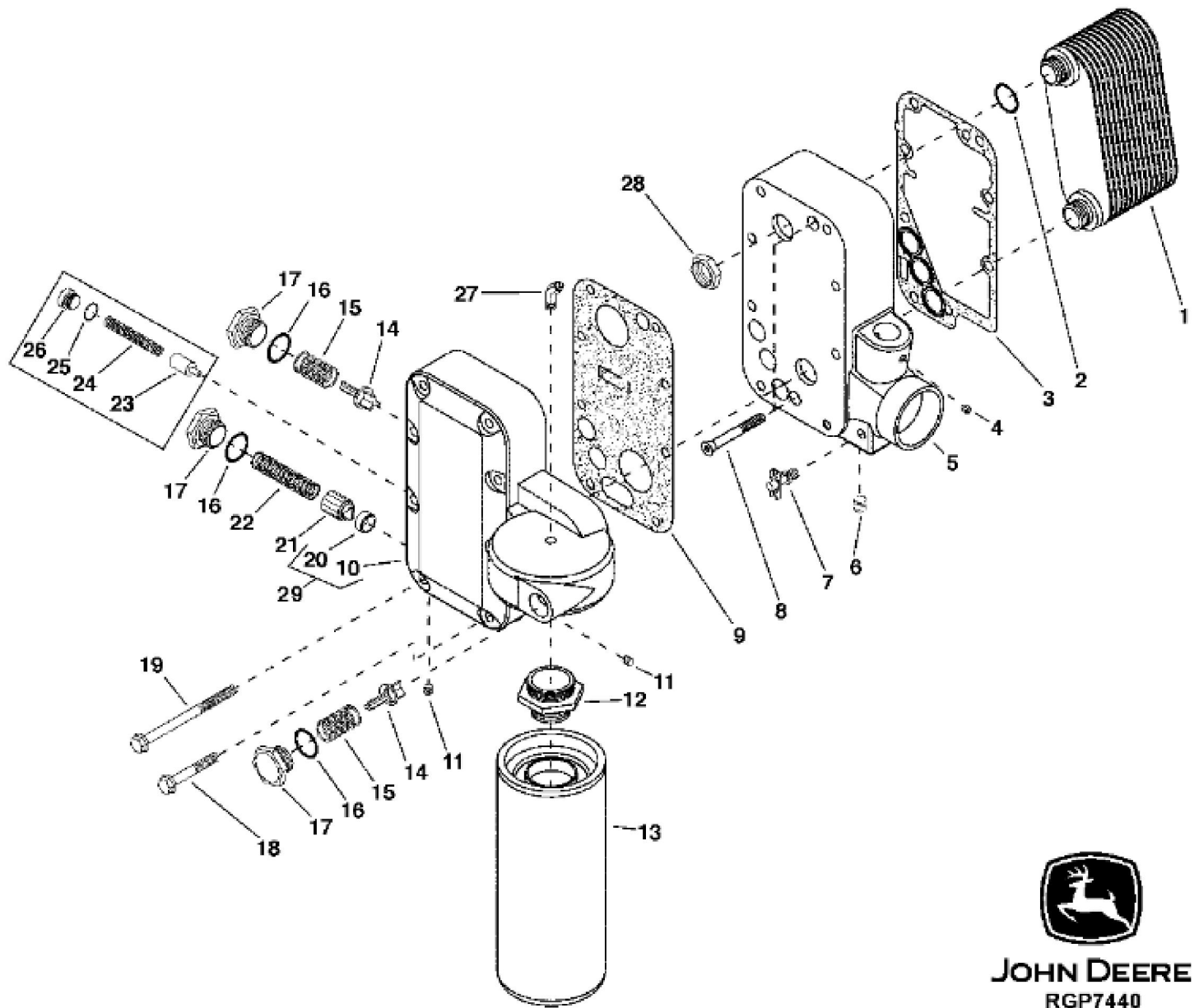
The full manual is available for immediate download.

<https://www.ebooklibonline.com>



AUXILIARY DRIVE

KEY	PART NO.	PART NAME	QTY	REMARKS	
1	R548888	COVER	1	SUB FOR R130937; MARKED R548889	
2	R82459	O-RING	1		
3	14M7296	FLANGE NUT	4	M10	
4	RE66291	SPUR GEAR	1		
5	R128769	SUPPORT	1		
6	R63846	SNAP RING	1		
7	19M7824	SCREW	1	M16 X 60	



JOHN DEERE
RGP7440



Suggest:

For more complete manuals. Please go to the home page.

<https://www.ebooklibonline.com>

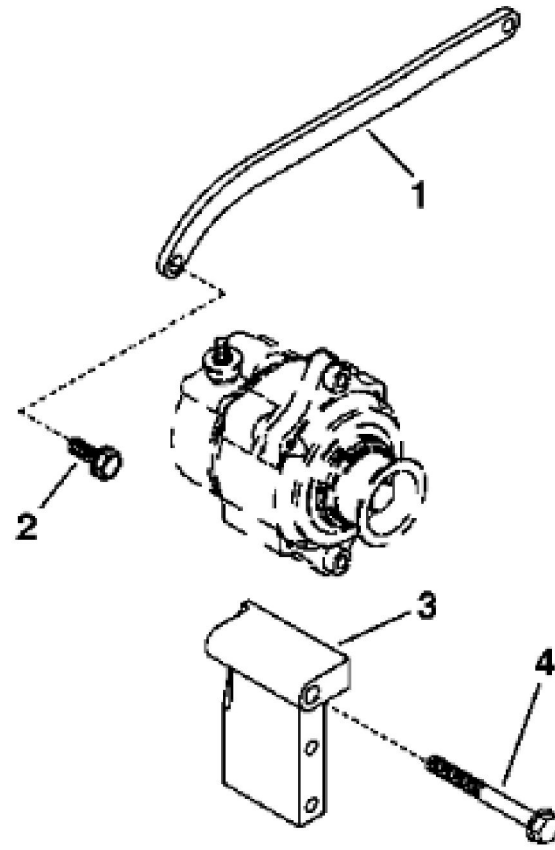
If the above button click is invalid. Please download this document first, and then click the above link to download the complete manual.

Thank you so much for reading

OIL COOLER

KEY	PART NO.	PART NAME	QTY	Engine Serial No.	REMARKS
1	RE500657	OIL COOLER	1		
2	R134716	O-RING	2		
3	R500209	GASKET	1		
4	RE71255	PIPE PLUG	1		
5	R116854	HOUSING	1		
6	RE57836	PIPE PLUG	1		12.700 mm (1/2"), (SUB FOR 15H624)
7	AT13740	DRAIN VALVE	1		
8	19M8574	SCREW	2		M10 X 85
9	R500210	GASKET	1		
10	R503400	HOUSING	1	____-029118	(SUB RE515304)
10	R503714	HOUSING	1	029119-____	
11	R55233	PIPE PLUG	3	____-029118	6.350 mm (1/4"), (USE WITH RE515304)
11	R55233	PIPE PLUG	1	029119-____	6.350 mm (1/4")
11	AT145384	SWITCH	1		(OIL PRESSURE)
11	15H639	PIPE BUSHING	1		1/8"
12	R127208	ADAPTER FITTING	1		
13	RE58935	OIL FILTER	1		
14	R500055	VALVE	2		BYPASS
15	R98064	SPRING	2		
16	U17409	O-RING	3		26.594 X 2.946 mm (1-3/64" X 0.116")
17	R500232	FITTING PLUG	3		
18	19M7810	SCREW	1		M10 X 80
19	19M7958	SCREW	7		M10 X 150
20	BUSHING	1		(SUB RE515304)
20	U40750	WASHER	AR		
21	R124186	PRESSURE RELIEF VALVE	1		
22	R130717	SPRING	1		
23	R63532	VALVE	1	____-029118	
24	T31636	SPRING	1	____-029118	
25	R26375	O-RING	1	____-029118	
26	R33138	FITTING	1	____-029118	
27	R116203	ELBOW FITTING	1		
28	R136500	NUT	2		

KEY	PART NO.	PART NAME	QTY	Engine Serial No.	REMARKS	
29	RE505883	HOUSING	1	____-029118	(MARKED RE515304)	
29	RE515304	HOUSING	1	029119-____	(MARKED RE503714)	
..	AT35831	DRAIN VALVE	1		(7898)	
..	15H586	ADAPTER FITTING	1		3/8", (7898)	



<https://www.ebooklibonline.com>

Hello dear friend!

Thank you very much for reading.

Enter the link into your browser.

The full manual is available for immediate download.

<https://www.ebooklibonline.com>