

TP5389

KEY	PART NO.	PART NAME	QTY	Serial No.	REMARKS
1	RE61639	CYLINDER BLOCK	1		WITH DOWEL PINS, PIPE PLUG, MAIN BEARING CAPS, STUD, NIPPLE, OIL PRESSURE RELIEF VALVE BUSHINGS, WASHERS, CAP SCREWS AND BALANCE SHAFT BUSHINGS, (MARKED R122820)
2	R48685	DOWEL PIN	2		(SUB FOR R26241, THIS APPLICATION)
3	AT13740	DRAIN VALVE	1		(USED WITHOUT ENGINE COOLANT HEATER)
3	15H613	ELBOW FITTING	1		90° (USED WITH ENGINE COOLANT HEATER)
4	15H275	PIPE PLUG	1		1/4", (USED WITHOUT ENGINE COOLANT HEATER)
4	15H613	ELBOW FITTING	1		90° (USED WITH ENGINE COOLANT HEATER)
5	T25701	STUD	1		WATER PUMP
5	R122226	STUD	2		(SUB FOR R122226) TIMING GEAR
6	12H304	LOCK WASHER	3		3/8"
7	14H812	NUT	3		3/8"
8	T18891	PLUG	2		
9	R26493	BUSHING	1		
10	R26650	DOWEL PIN	2		
11	15H623	PIPE PLUG	1		3/8"
12	R48685	DOWEL PIN	2		(SUB FOR A120R)
13	R54802	ORIFICE	4	168639-_____	
14	R73139	FLOW CONTROL HYD. VALVE	1		(USE WITH BLOCK MARKED R72972)
15	R46625	SPRING	1		(USE WITH BLOCK MARKED R72972)
..	RE19855	SHORT BLOCK ASSEMBLY	1		COMPLETE WITH CYLINDER BLOCK ASSEMBLY, CRANKSHAFT, PISTONS, CONNECTING RODS, BALANCER SHAFT, CAMSHAFT, TAPPETS, SET SCREWS AND MISCELLANEOUS PARTS, (MARKED R122820)

**<https://www.ebooklibonline.com>**

Hello dear friend!

Thank you very much for reading.

Enter the link into your browser.

The full manual is available for immediate download.

**<https://www.ebooklibonline.com>**



KEY	PART NO.	PART NAME	QTY	Engine Serial No.	REMARKS
1	.....	ENGINE OVERHAUL KIT	NA	____-187208	(ORDER COMPLETE ENGINE REBUILD GASKET KIT) (WITH PISTON MARKED AR78310 OR RE53265 - 1.19" PISTON PINS) (ORDER (4) AR71593 AND (8) R51112) (BASIC ENGINE OVERHAUL KIT-USE WITH 1.37"
1	RE527293	ENGINE OVERHAUL KIT	1	187209- ____	PISTON PINS) (ONLY FITS MACHINES ABOVE SERIAL NUMBER 187210) (SUB FOR AT86984) (MARKED AR55984, AR71610 OR AR77762)



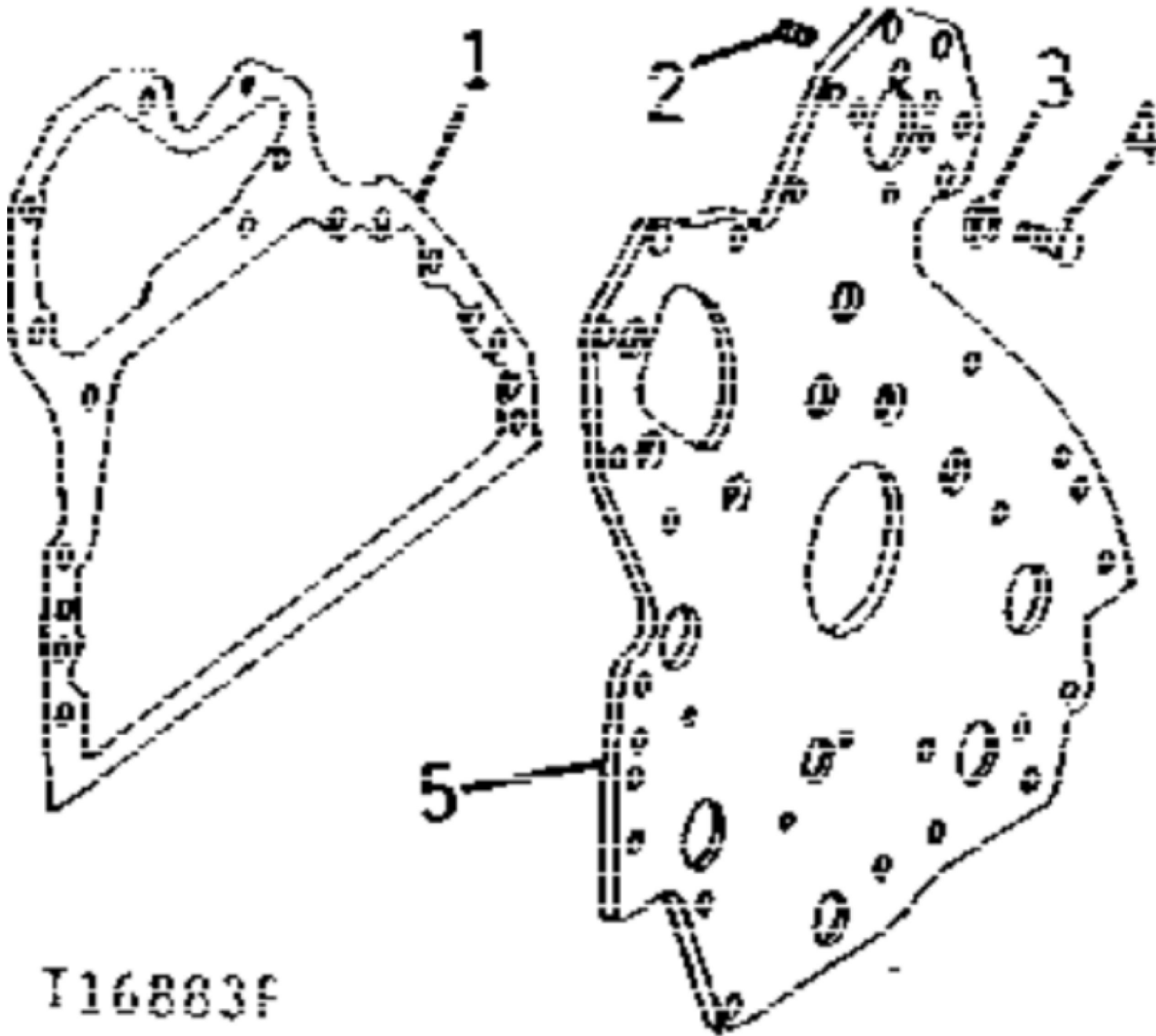
**Suggest:**

**For more complete manuals. Please go to the home page.**

**<https://www.ebooklibonline.com>**

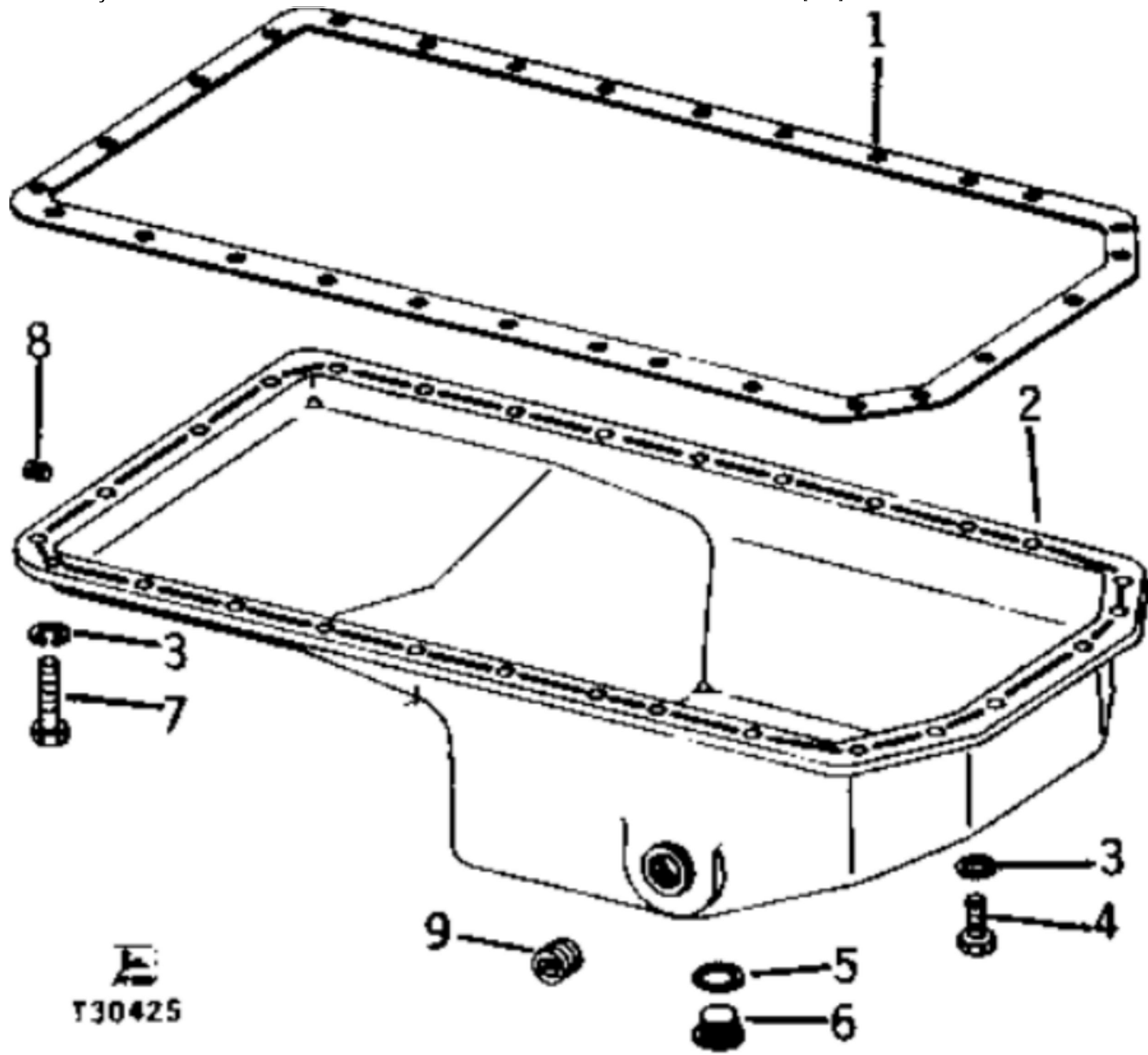
**If the above button click is invalid. Please download this document first, and then click the above link to download the complete manual.**


**Thank you so much for reading**



T16883F

KEY	PART NO.	PART NAME	QTY	REMARKS	
1	R131794	GASKET	1	(SUB FOR R90648)	
2	AT21191	SET SCREW	AR		
2	AT22919	SET SCREW	2		
3	12H324	WASHER	5	3/8"	
4	T20166	SCREW	5	3/8" X 7/8"	
5	RE16149	PLATE	1	(SUB FOR T20295 AND R56736) (ALSO ORDER (8) AT21191 AND (2) AT22919)	



  
T30425

**<https://www.ebooklibonline.com>**

Hello dear friend!

Thank you very much for reading.

Enter the link into your browser.

The full manual is available for immediate download.

**<https://www.ebooklibonline.com>**