

TP7240

KEY	PART NO.	PART NAME	QTY	Serial No.	REMARKS
1	R48685	DOWEL PIN	2		(SUB FOR A120R)
2	15H690	PIPE PLUG	1		3/4"
3	R48685	DOWEL PIN	2		(SUB FOR R26241, THIS APPLICATION)
4	AT13740	DRAIN VALVE	1		(WITHOUT ENGINE COOLANT HEATER)
4	T29388	UNION FITTING	1		(WITH ENGINE COOLANT HEATER) (ALSO ORDER 15H613 ELBOW) (SUB FOR T29381)
5	15H275	PIPE PLUG	1		1/4", (WITHOUT ENGINE COOLANT HEATER)
5	T29388	UNION FITTING	1		(WITH ENGINE COOLANT HEATER) (ALSO ORDER 15H613 ELBOW) (SUB FOR T29381)
6	T25701	STUD	1		
7	12H304	LOCK WASHER	3		3/8"
8	14H812	NUT	3		3/8"
9	T18891	PLUG	2	78255-____	
10	R26493	BUSHING	1		
11	R26650	DOWEL PIN	2		(SUB FOR A4879R)
12	15H623	PIPE PLUG	1	22565-____	3/8"
13	CYLINDER BLOCK	1		(DIESEL)(NO LONGER AVAILABLE)
14	R46625	SPRING	1		(USE WITH AR97028 OR RE19853)
15	R73139	FLOW CONTROL HYD. VALVE	1		(USE WITH AR97028 OR RE19853)
..	RE19855	SHORT BLOCK ASSEMBLY	1		(MARKED R122820) (WITH CRANKSHAFT, MAIN BEARING CAPS, CAMSHAFT, PISTONS, CONNECTING RODS, TAPPETS, PIPE PLUGS, AND MISCELLANEOUS PARTS)(DIESEL)

<https://www.ebooklibonline.com>

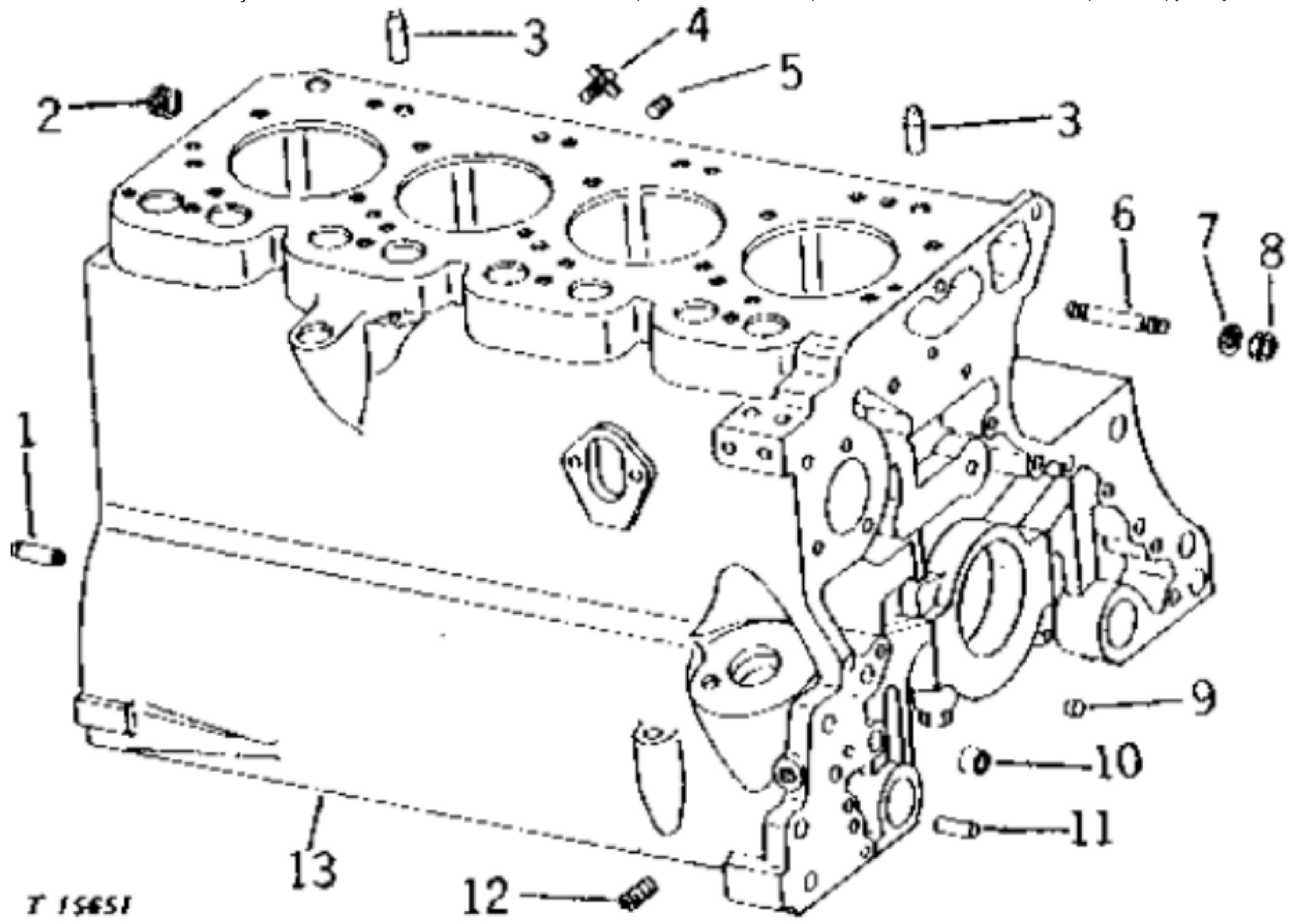
Hello dear friend!

Thank you very much for reading.

Enter the link into your browser.

The full manual is available for immediate download.

<https://www.ebooklibonline.com>



T 15651

KEY	PART NO.	PART NAME	QTY	Serial No.	REMARKS
1	R48685	DOWEL PIN	2		(SUB FOR A120R)
2	15H690	PIPE PLUG	1		3/4"
3	R48685	DOWEL PIN	2		(SUB FOR R26241, THIS APPLICATION)
4	AT13740	DRAIN VALVE	1		(WITHOUT ENGINE COOLANT HEATER)
4	T29388	UNION FITTING	1		(WITH ENGINE COOLANT HEATER) (SUB FOR T29381) (ALSO ORDER 15H613 ELBOW)
5	15H275	PIPE PLUG	1		1/4", (WITHOUT ENGINE COOLANT HEATER)
5	T29388	UNION FITTING	1		(WITH ENGINE COOLANT HEATER) (SUB FOR T29381) (ALSO ORDER 15H613)
6	T25701	STUD	1		
7	12H304	LOCK WASHER	3		3/8"
8	14H812	NUT	3		3/8"
9	T18891	PLUG	2	78255-____	
10	R26493	BUSHING	1		
11	R26650	DOWEL PIN	2		(SUB FOR A4879R)
12	15H623	PIPE PLUG	1	22565-____	3/8"
..	SHORT BLOCK ASSEMBLY	1		(NO LONGER AVAILABLE)



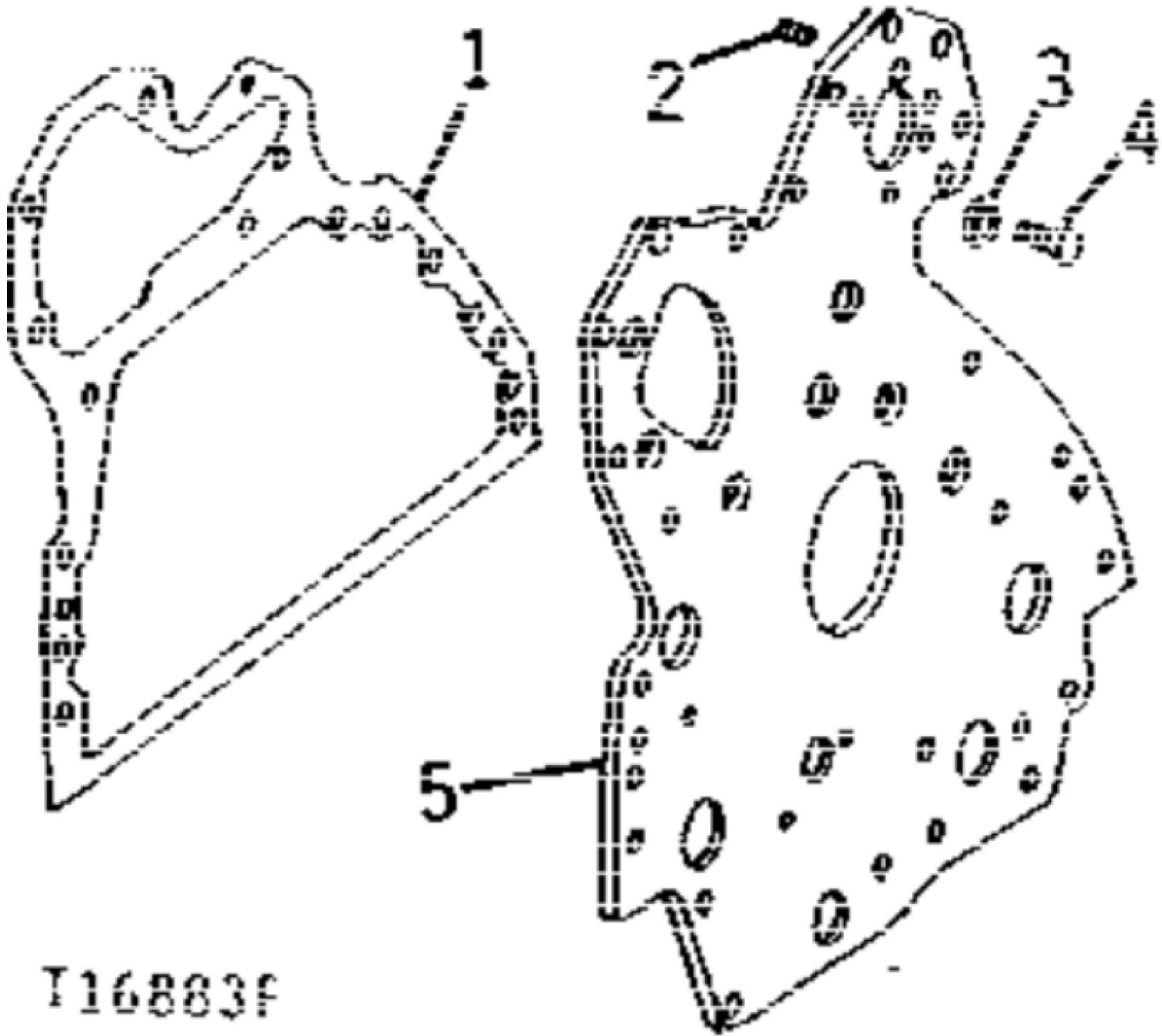
Suggest:

For more complete manuals. Please go to the home page.

<https://www.ebooklibonline.com>

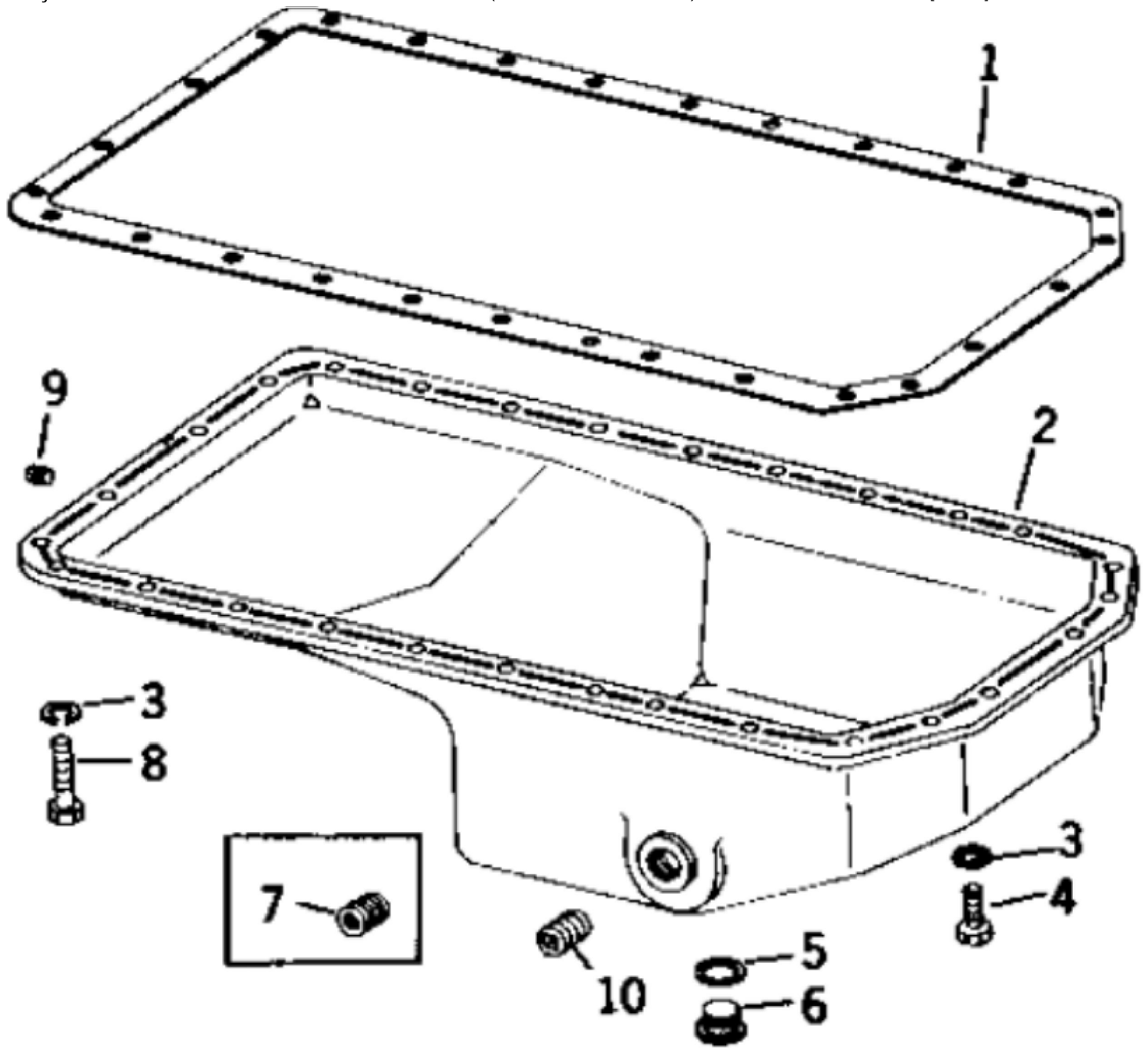
If the above button click is invalid. Please download this document first, and then click the above link to download the complete manual.

Thank you so much for reading



T16883F

KEY	PART NO.	PART NAME	QTY	REMARKS	
1	R73140	GASKET	1	(SUB FOR T20292 AND R119360) (T24965 NO LONGER AVAILABLE)	
2	AT21191	SET SCREW	5	(DIESEL)	
2	AT22919	SET SCREW	2	(DIESEL)	
3	12H324	WASHER	5	3/8"	
4	T20166	SCREW	5	3/8" X 7/8"	
5	RE16149	PLATE	1	(DIESEL) (SUB FOR T20295 AND R56736) (ALSO ORDER (8) AT21191 AND (2) AT22919)	
5	R56737	PLATE	1	(GASOLINE) (SUB FOR T20024)	



<https://www.ebooklibonline.com>

Hello dear friend!

Thank you very much for reading.

Enter the link into your browser.

The full manual is available for immediate download.

<https://www.ebooklibonline.com>