

T24727

[01C01]

| KEY | PART NO. | PART NAME   | QTY | REMARKS  |
|-----|----------|-------------|-----|--|
| 1   | 19H3196  | CAP SCREW   | 2   | 3/4" X 4", UPPER   |
| 2   | T20945   | PLUG        | 2   | RUBBER   |
| 3   | 19H2726  | CAP SCREW   | 2   | 5/8" X 4", UPPER   |
| 4   | 12H294   | LOCK WASHER | 4   | 5/8"   |
| 5   | T14368   | BUSHING     | 4   |  |
| 6   | AT35201  | HOUSING     | 1   | WITH BUSHING, GROOVE PIN, PIPE PLUG AND COTTER PIN,<br>(MARKED T36244 OR T34458) |
| 7   | 19H2599  | CAP SCREW   | 2   | 5/8" X 2-1/2", LOWER   |
| 8   | T26565   | DOWEL PIN   | 2   |  |
| 9   | 19H3612  | CAP SCREW   | 2   | 3/4" X 6-1/4", LOWER   |
| 10  | T10510   | WASHER      | 4   | (USE IF AVAILABLE)   |
| 10  | R78019   | WASHER      | 4   | (SUB FOR T10510)   |
| 11  | T21300   | BUSHING     | 2   | HOLLOW, UPPER LEFT AND LOWER RIGHT SIDE  |
| 12  | 11M7030  | COTTER PIN  | 1   | 5 X 40 MM  |
| 13  | T16662   | GROOVE PIN  | 1   |  |
| 14  | T21301   | GROMMET     | 1   |  |
| 15  | T10811   | PLUG        | 1   | (WITHOUT 1000 RPM PTO OR WINCH)  |
| 16  | 15H558   | PIPE PLUG   | 1   | HEX. CTSK., 1/8"   |

**<https://www.ebooklibonline.com>**

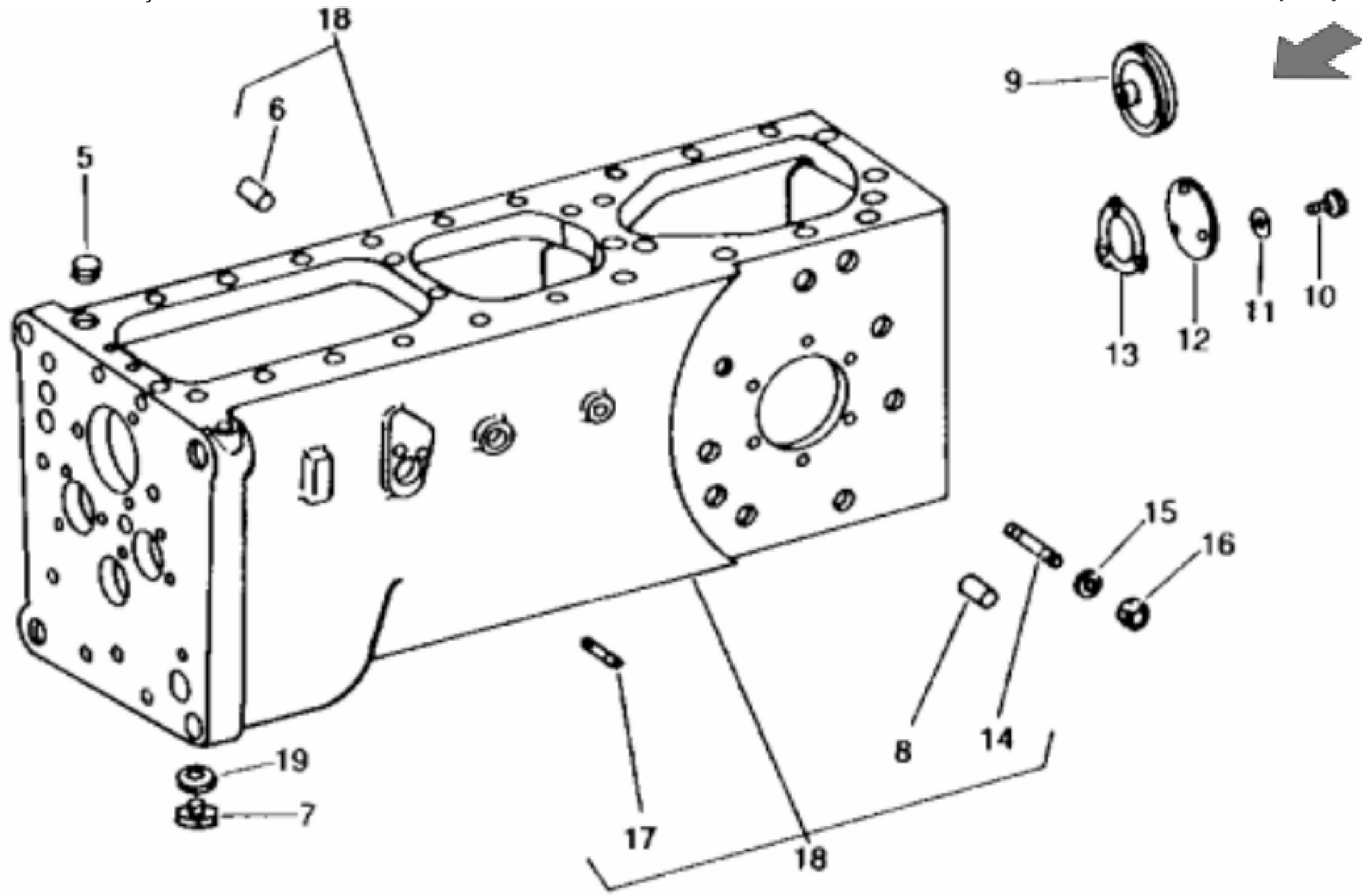
Hello dear friend!

Thank you very much for reading.

Enter the link into your browser.

The full manual is available for immediate download.

**<https://www.ebooklibonline.com>**



TP24869

| KEY | PART NO. | PART NAME         | QTY | REMARKS            |  |
|-----|----------|-------------------|-----|--------------------|--|
| 5   | T28210   | PLUG              | 1   | RELIEF VALVE       |  |
| 6   | 15H562   | PIPE PLUG         | 1   | 1"                 |  |
| 7   | M1746T   | DRAIN PLUG        | 1   |                    |  |
| 8   | T18621   | DOWEL PIN         | 4   |                    |  |
| 9   | T20757   | PLUG              | 1   |                    |  |
| 10  | 19H2664  | CAP SCREW         | 3   | 5/16" X 3/4"       |  |
| 11  | 12H303   | LOCK WASHER       | 3   | 5/16"              |  |
| 12  | T15070   | COVER             | 1   |                    |  |
| 13  | T12405   | GASKET            | 1   |                    |  |
| 14  | T20756   | STUD              | 4   |                    |  |
| 15  | T10510   | WASHER            | 6   | (USE IF AVAILABLE) |  |
| 15  | R78019   | WASHER            | 6   | (SUB FOR T10510)   |  |
| 16  | 14H794   | NUT               | 6   | 3/4"               |  |
| 17  | T35705   | STUD              | 1   |                    |  |
| 18  | T106988  | TRANSMISSION CASE | 1   |                    |  |
| 19  | T13213   | WASHER            | 1   |                    |  |



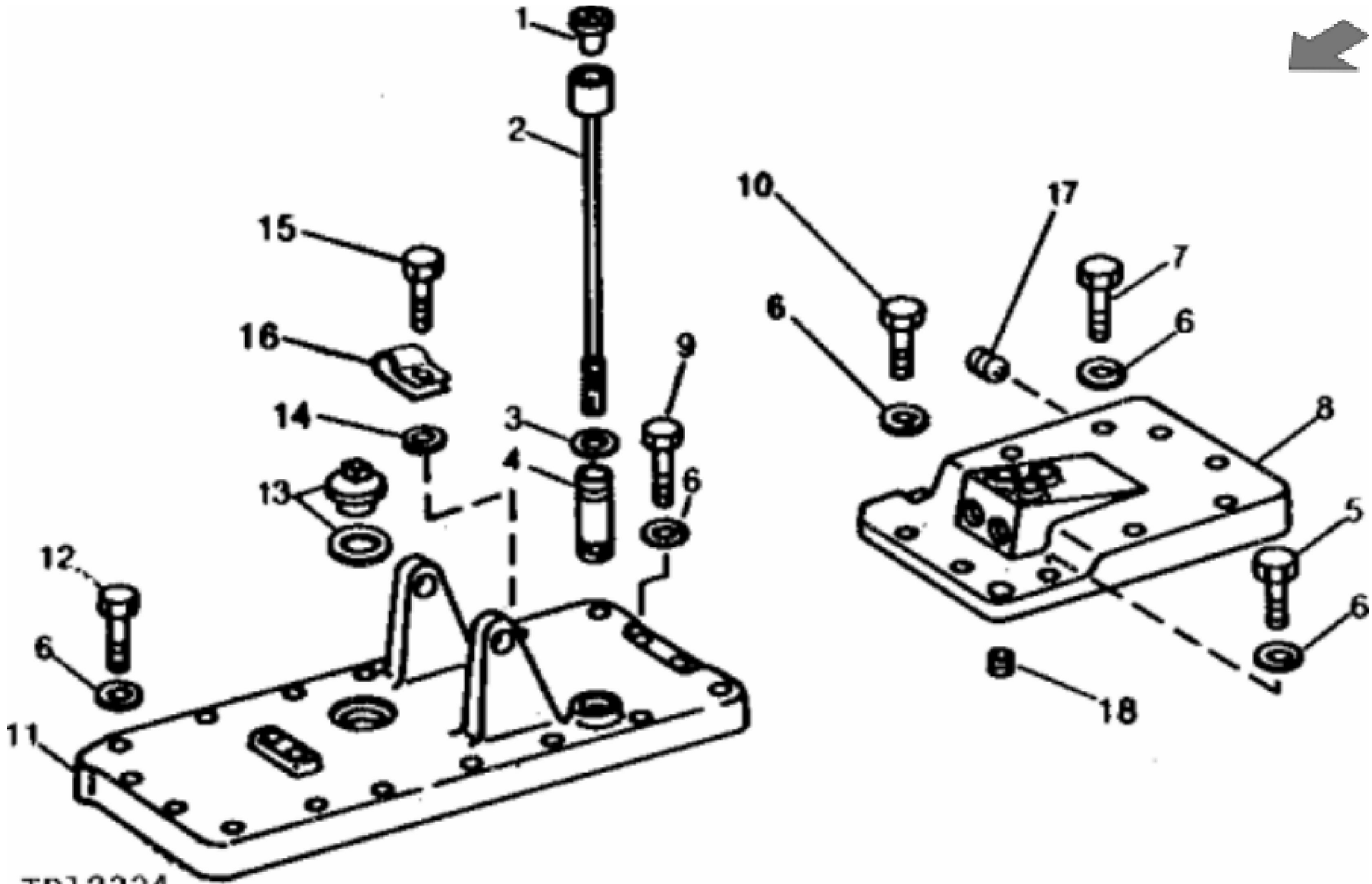
**Suggest:**

**For more complete manuals. Please go to the home page.**

**<https://www.ebooklibonline.com>**

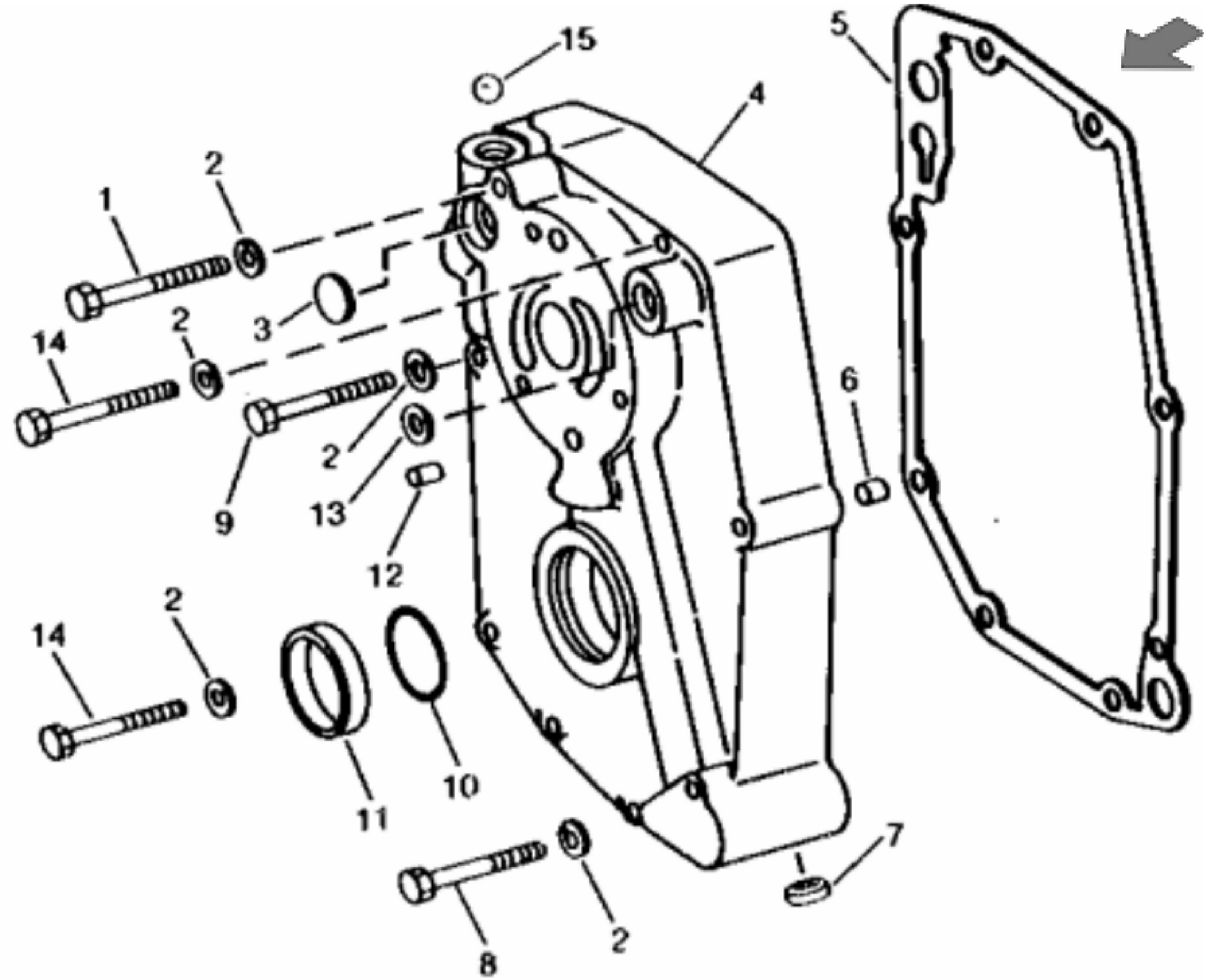
**If the above button click is invalid. Please download this document first, and then click the above link to download the complete manual.**

**Thank you so much for reading**



TP12334

| KEY | PART NO. | PART NAME       | QTY | REMARKS   |
|-----|----------|-----------------|-----|---|
| 1   | AM1074T  | BREATHER        | 1   |   |
| 2   | AT18907  | DIPSTICK        | 1   |   |
| 3   | T13752   | WASHER          | 1   |   |
| 4   | T17297   | THREADED NIPPLE | 1   |   |
| 5   | 19H2633  | CAP SCREW       | 3   | 3/8" X 1-1/2"   |
| 6   | 12H304   | LOCK WASHER     | 28  | 3/8"  |
| 7   | 19H3031  | CAP SCREW       | 4   | 3/8" X 2-1/2"   |
| 8   | T41188   | COVER           | 1   | REAR (USE WITH LEVER STEERING)  |
| 9   | 19H2733  | CAP SCREW       | 2   | HS, SAE 8, 3/8" X 2-3/8" (MIDDLE REAR HOLES)  |
| 10  | 19H2676  | CAP SCREW       | 1   | 3/8" X 1"   |
| 11  | T43567   | COVER           | 1   |   |
| 11  | T19935   | CLAMP           | 3   | (FRONT SCREW LEFT OF CENTER IN TRANSMISSION TOP FRONT COVER. INDEX 45 DEGREE TO RIGHT FRONT FOR FUEL RETURN HOSE) (2 - LEFT SIDE SCREWS IN TRANSMISSION TOP FRONT COVER SECOND FROM FRONT AND FIFTH FROM FRONT. INDEX TO LEFT FOR WIRING HARNESS) |
| 12  | 19H2732  | CAP SCREW       | 15  | HS, SAE 8, 3/8" X 2-3/4"  |
| 13  | AT13021  | PIPE PLUG       | 1   | AND GASKET  |
| 14  | 24H1781  | WASHER          | 1   | 13/32" X 7/8" X 1/4"  |
| 15  | 19H2458  | CAP SCREW       | 1   | HS, SAE 8, 3/8" X 3"  |
| 16  | R46415   | CLAMP           | 1   |   |
| 17  | 15H275   | PIPE PLUG       | 2   | 1/4"  |
| 18  | 15H275   | PIPE PLUG       | 1   | 1/4", (USE WITH PEDAL STEERING)   |



7P12338

**<https://www.ebooklibonline.com>**

Hello dear friend!

Thank you very much for reading.

Enter the link into your browser.

The full manual is available for immediate download.

**<https://www.ebooklibonline.com>**