

John Deere > Construction And Forestry > EXCAVATOR > 380GLC - EXCAVATOR > 380GLC Excavator (PIN: 1FF380GX__E900001-) > 04 ENGINE 6090HT010-RE537652 > 0400 ENGINE 6090HT010-RE537652
6090HT010 > ST120863 - 1708 AIR INTAKE MANIFOLD

KEY	PART NO.	PART NAME	QTY	REMARKS	
1	19M10270	SCREW	1	M8 X 55	
2	19M10075	SCREW	7	M8 X 110	
3	R520424	SEALING WASHER	7	ORDER R548750	
3	R548750	SEALING WASHER	7		
4	19M10219	SCREW	6	M8 X 80	
5	RE545554	INTAKE MANIFOLD	1	ORDER RE550968; MARKED R534758	
5	RE550968	INTAKE MANIFOLD	1		
6	R532724	GASKET	1	SUB FOR R531933	
7	15H685	PIPE PLUG	1	1/4"	
8	RE537639	MANIFOLD AIR PRESS. SENSOR	1		
9	RE537635	TEMPERATURE SENSOR	1	(Manifold Air Temperature Sensor)	
10	15H686	PIPE PLUG	2	1"	

<https://www.ebooklibonline.com>

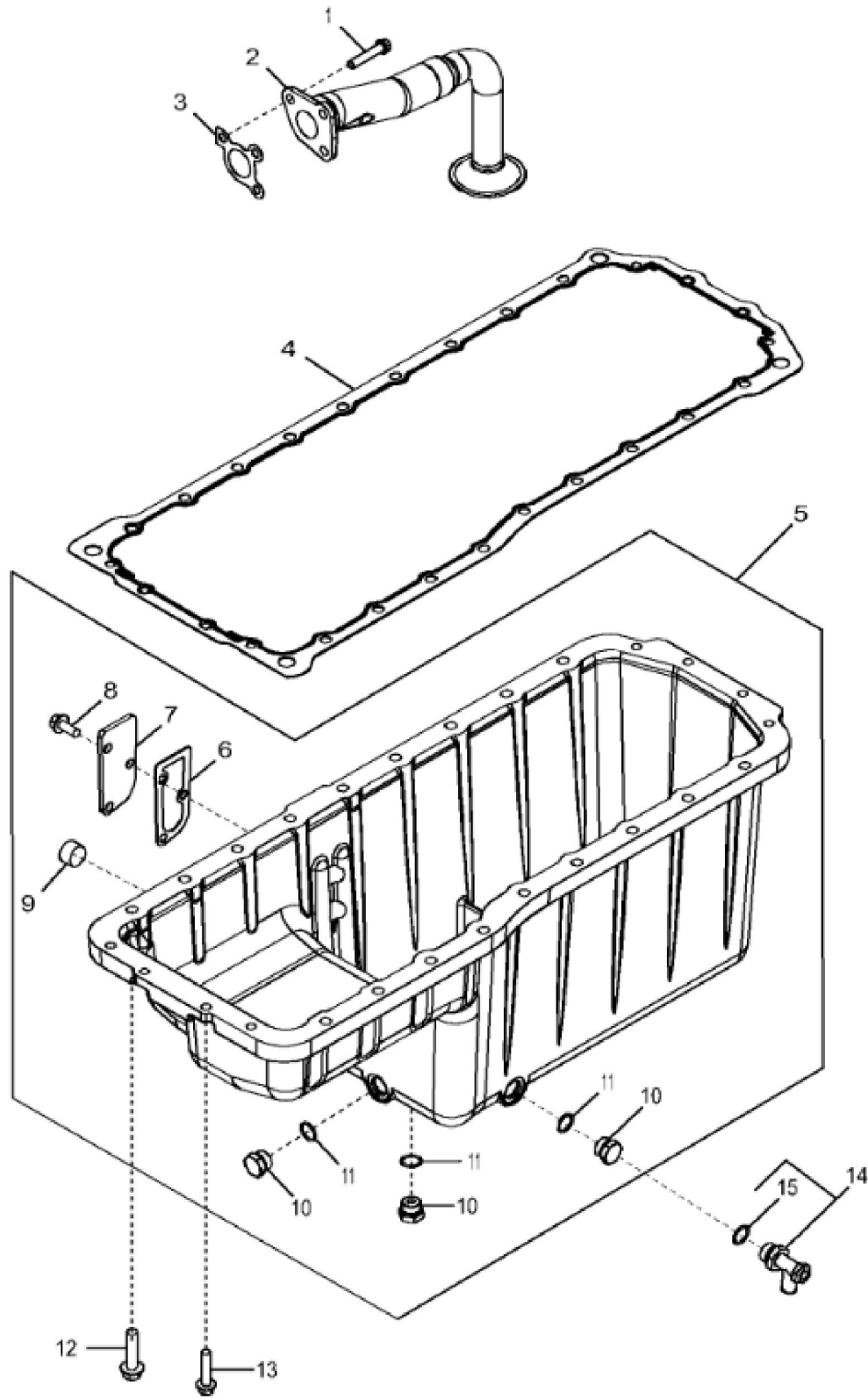
Hello dear friend!

Thank you very much for reading.

Enter the link into your browser.

The full manual is available for immediate download.

<https://www.ebooklibonline.com>



John Deere > Construction And Forestry > EXCAVATOR > 380GLC - EXCAVATOR > 380GLC Excavator (PIN: 1FF380GX__E900001-) > 04 ENGINE 6090HT010-RE537652 > 0400 ENGINE 6090HT010-RE537652
6090HT010 > ST271079 - 1933 OIL PAN

KEY	PART NO.	PART NAME	QTY	REMARKS	
1	R536840	SCREW	3		
2	RE523867	OIL PUMP INTAKE	1		
3	R100569	GASKET	1		
4	R527658	GASKET	1		
5	RE523896	OIL PAN	1		
6	RE63439	GASKET	1		
7	R519285	COVER	1		
8	19M7785	SCREW	3	M10 X 25	
9	15H690	PIPE PLUG	1	3/4"	
10	R27474	DRAIN PLUG	3		
11	R47151	O-RING	3		
12	19M8306	SCREW	18	M12 X 50	
13	19M7806	SCREW	8	M10 X 50	
14	AT152180	DRAIN VALVE	1		
15	R26906	O-RING	1		



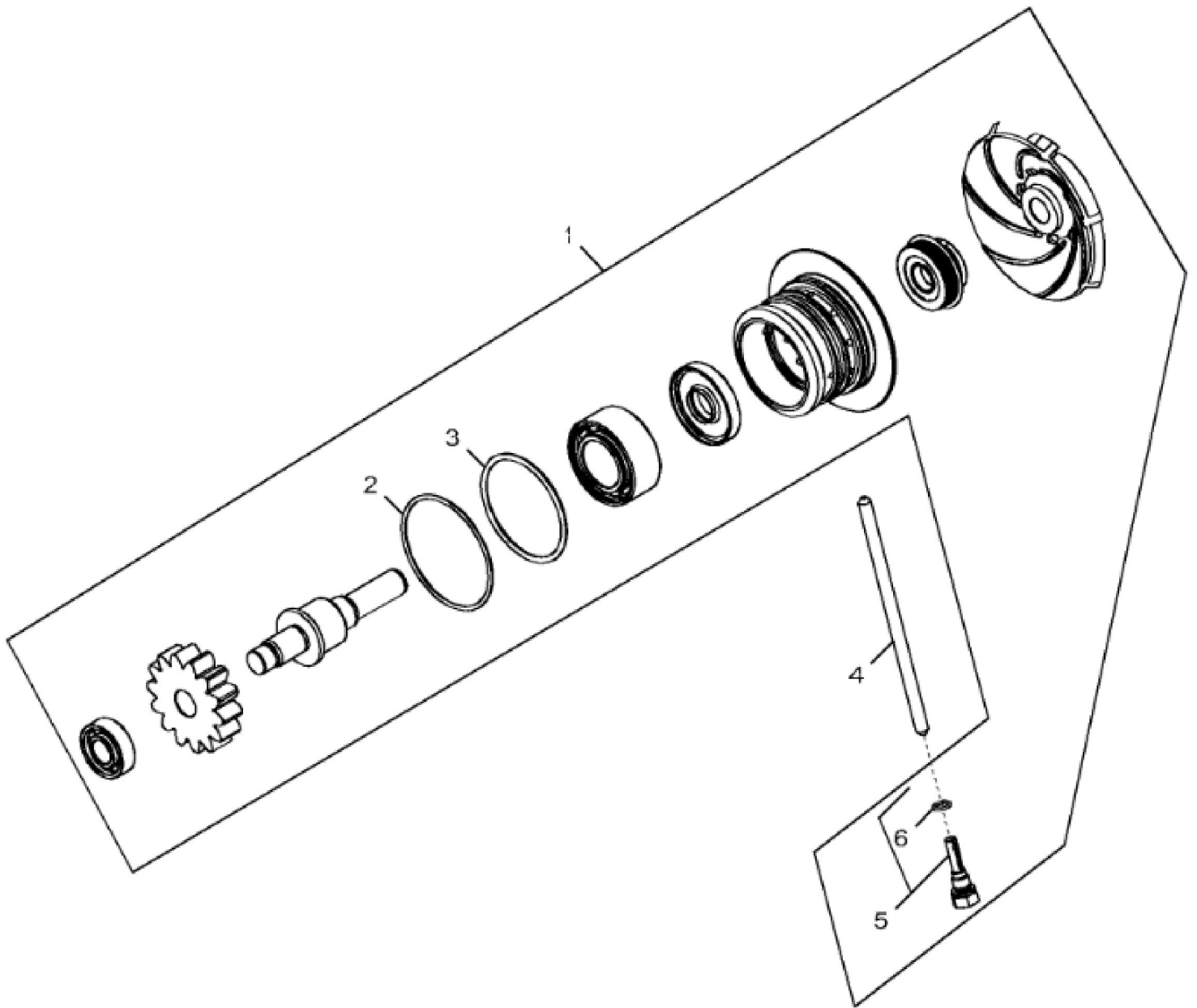
Suggest:

For more complete manuals. Please go to the home page.

<https://www.ebooklibonline.com>

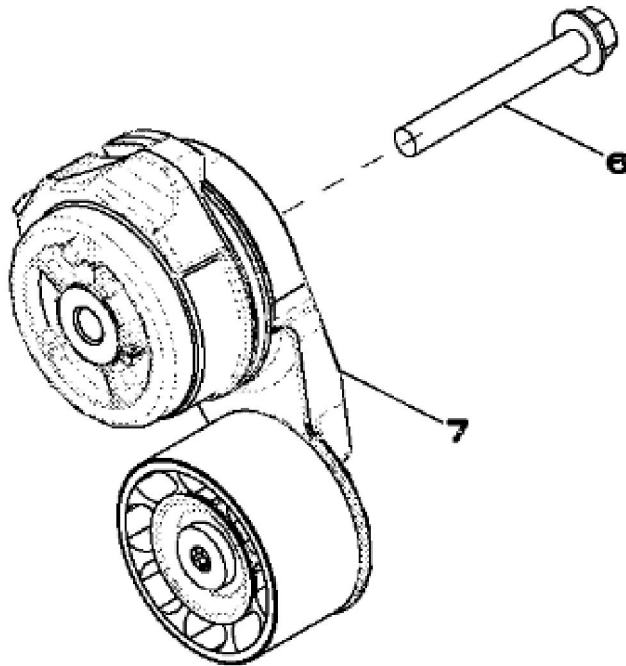
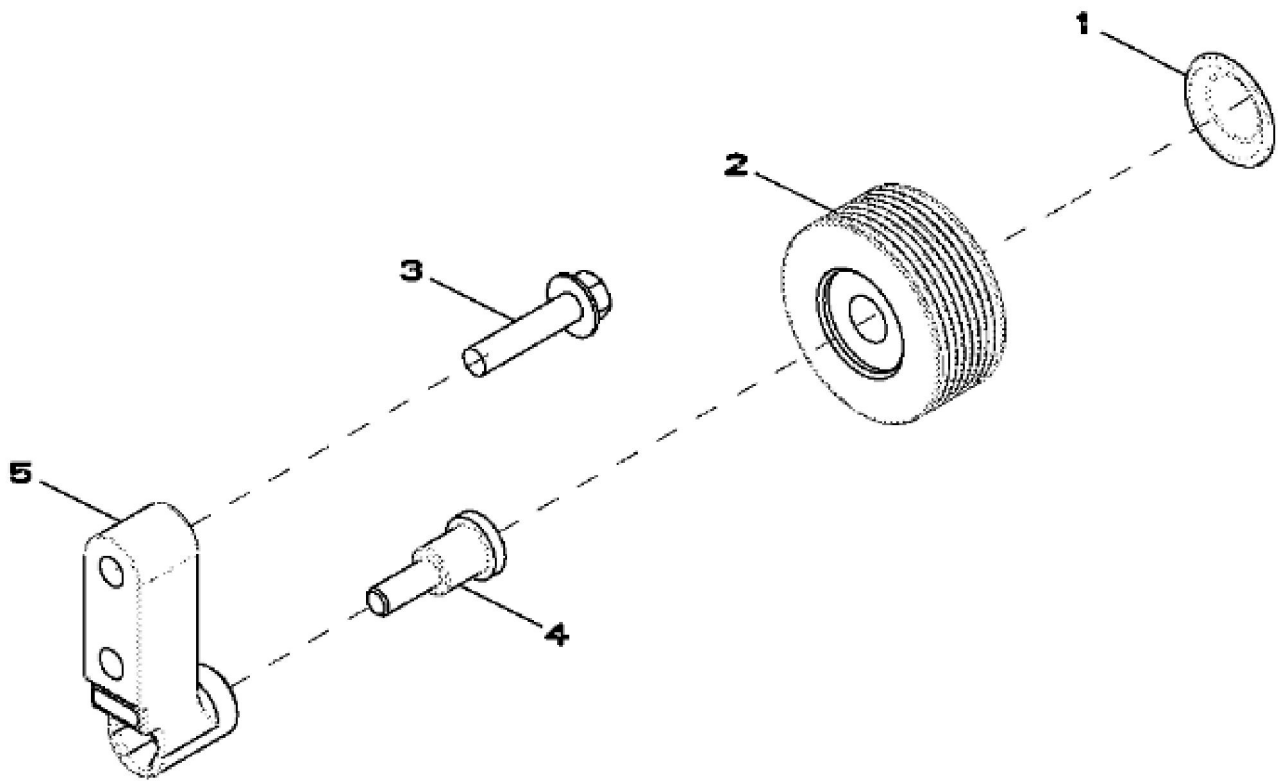
If the above button click is invalid. Please download this document first, and then click the above link to download the complete manual.

Thank you so much for reading



John Deere > Construction And Forestry > EXCAVATOR > 380GLC - EXCAVATOR > 380GLC Excavator (PIN: 1FF380GX_ E900001-) > 04 ENGINE 6090HT010-RE537652 > 0400 ENGINE 6090HT010-RE537652
6090HT010 > ST21695 - 2002 WATER PUMP

KEY	PART NO.	PART NAME	QTY	REMARKS	
1	DZ102107	WATER PUMP	1	SUB FOR RE548846 OR RE553432	
1	SE502545	WATER PUMP REMAN	AR	REMAN FOR DZ102107 OR RE553432	
2	RE542557	FITTING	1		
3	51M7039	O-RING	1	8.100 X 1.600 mm	
4	R527385	PIN	1		
5	DZ104600	O-RING KIT	1		
6	R539366	O-RING	1		



RE538057PCDA01

<https://www.ebooklibonline.com>

Hello dear friend!

Thank you very much for reading.

Enter the link into your browser.

The full manual is available for immediate download.

<https://www.ebooklibonline.com>