

RE523129PCDG06

| KEY | PART NO. | PART NAME | QTY | REMARKS |
|-----|----------|----------------|-----|---|
| 1 | AT13740 | DRAIN VALVE | 1 | |
| 2 | | CYLINDER LINER | 6 | (ORDER RE531072) |
| 3 | AR98850 | O-RING KIT | 6 | |
| 4 | R54326 | O-RING | 1 | |
| 5 | R43409 | PLUG | 1 | |
| 6 | RE522991 | ORIFICE | 6 | |
| 7 | RE535576 | CAM FOLLOWER | 12 | |
| 8 | | CYLINDER BLOCK | 1 | (MARKED R518738 OR R502997) (ORDER RE531095)NSEP |
| 9 | RE57836 | PIPE PLUG | 3 | |
| 10 | RE519144 | SENSOR | 2 | |
| 11 | 51M7044 | O-RING | 1 | 17.300 X 2.200 mm |
| 12 | RE71255 | PIPE PLUG | 5 | |
| 13 | RE167207 | SENSOR | 1 | |
| 14 | R120954 | BEARING CAP | 1 | |
| 15 | R519287 | CAP SCREW | 14 | |
| 16 | R120953 | BEARING CAP | 6 | |
| 17 | R82007 | PLUG | 1 | |
| 18 | R527877 | BUSHING | 6 | |
| 19 | R522884 | CAMSHAFT | 1 | |
| 19 | SE501775 | CAMSHAFT REMAN | 1 | (REMAN FOR R522884) |
| 20 | 26H91 | SHAFT KEY | 1 | 3/16" X 1-1/4" |
| 21 | R504811 | WASHER | 1 | |
| 22 | R518255 | GEAR | 1 | |
| 23 | R518212 | GEAR | 1 | |

<https://www.ebooklibonline.com>

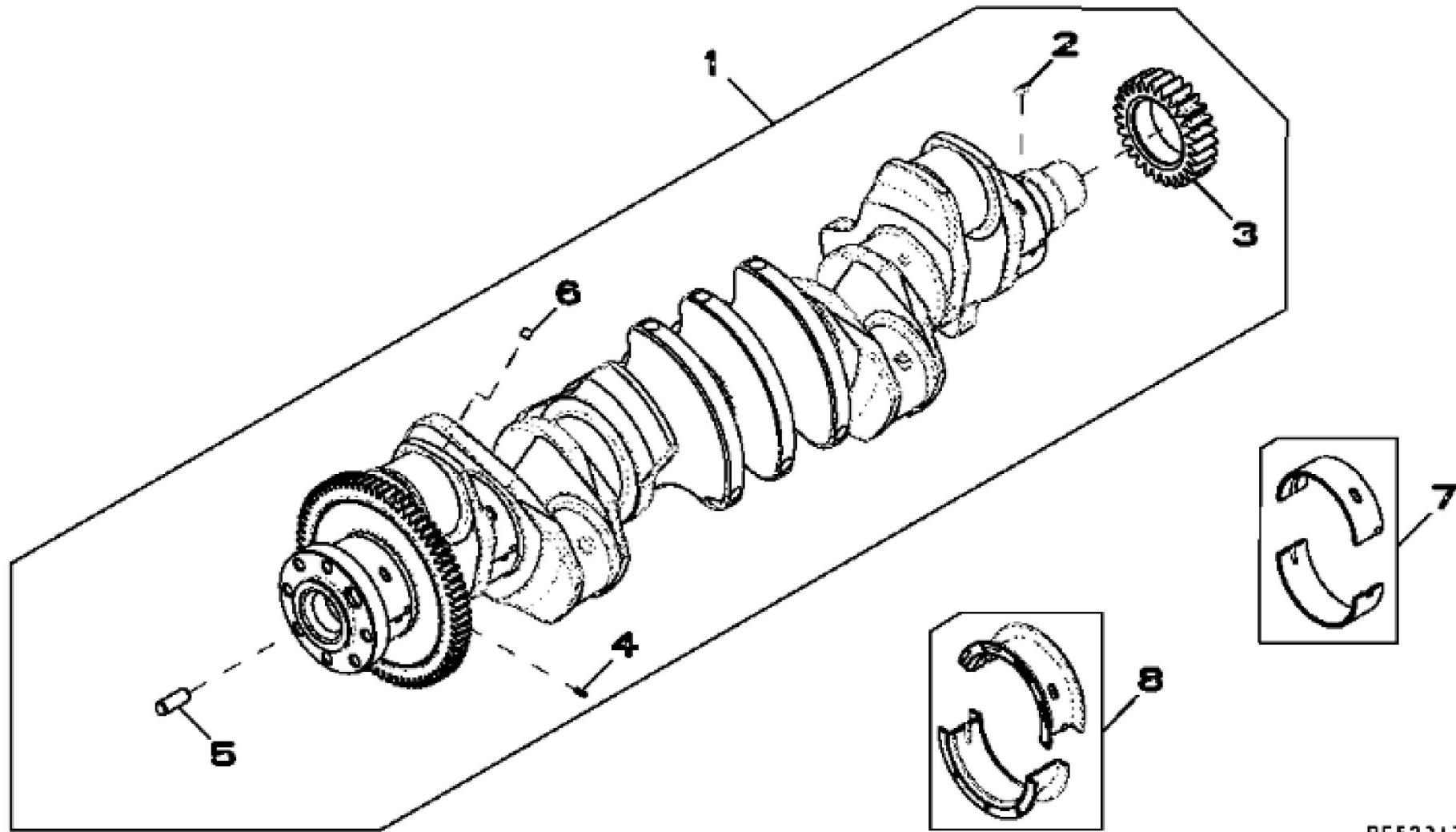
Hello dear friend!

Thank you very much for reading.

Enter the link into your browser.

The full manual is available for immediate download.

<https://www.ebooklibonline.com>



RE523130PCDE05

John Deere > Construction And Forestry > EXCAVATOR > 380GLC - EXCAVATOR > 380GLC Excavator (PIN: 1FF380GX_ _D900001-) > 04 ENGINE 6090HT002- RE524739-RE524739 > 0400 ENGINE 6090HT002- RE524739-RE524739 6090HT002- RE524739 > ST24815 - 4701 CRANKSHAFT AND BEARINGS

| KEY | PART NO. | PART NAME | QTY | REMARKS |
|-----|----------|------------------|-----|---|
| 1 | RE534315 | CRANKSHAFT | 1 | (MARKED R525976) (ALSO ORDER RE529775) |
| 1 | SE501774 | CRANKSHAFT REMAN | 1 | (WITH BEARINGS) (REMAN FOR RE534315) |
| 2 | R120752 | KEY | 1 | |
| 3 | R104587 | GEAR | 1 | |
| 4 | 34M7089 | SPRING PIN | 1 | |
| 5 | R41934 | DOWEL PIN | 1 | |
| 6 | AT107510 | PLUG | 1 | |
| 7 | RE529319 | BEARING | 6 | (MARKED R519427 AND R519428) |
| 8 | RE529320 | THRUST BEARING | 1 | (MARKED R519429 AND R519430) |



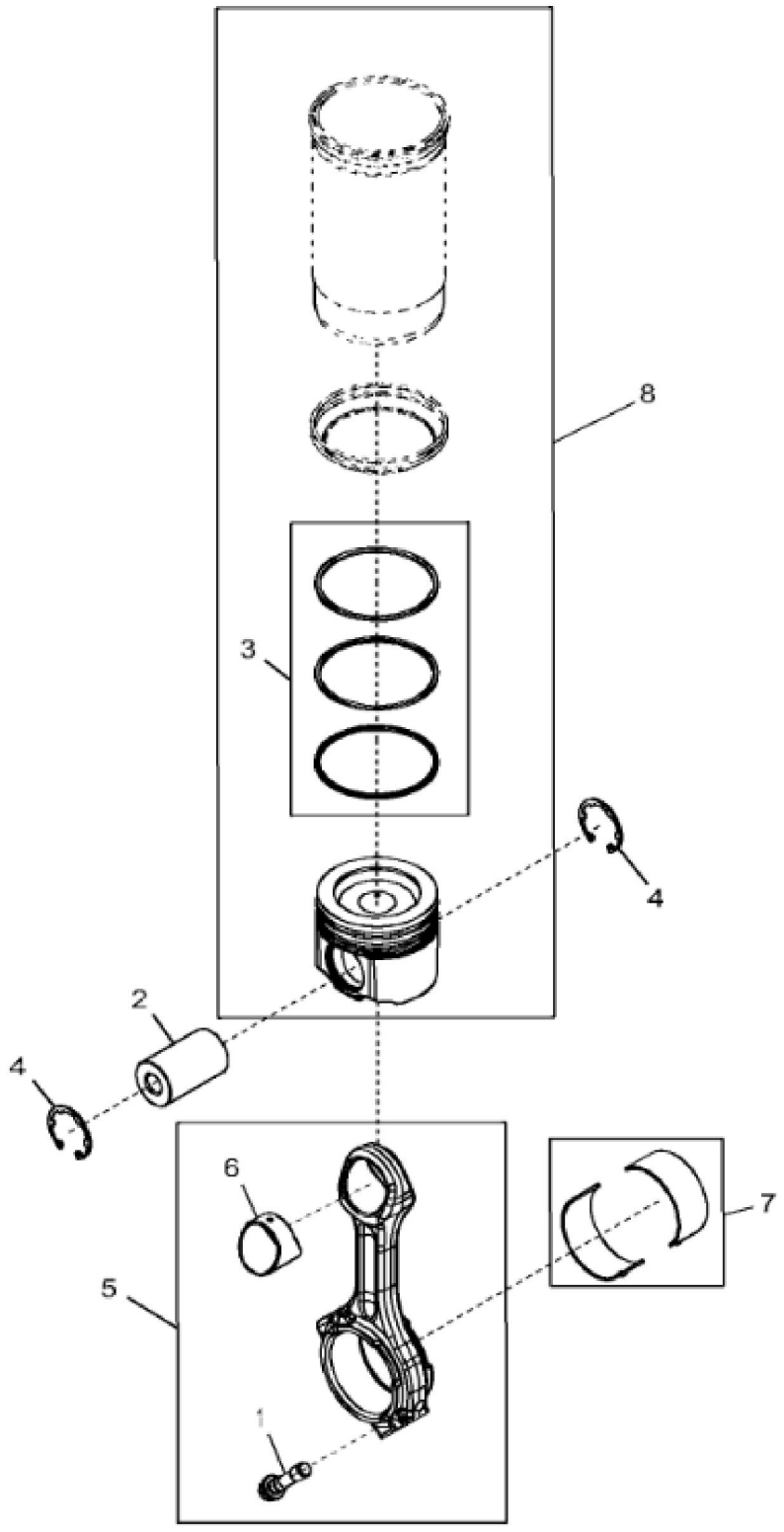
Suggest:

For more complete manuals. Please go to the home page.

<https://www.ebooklibonline.com>

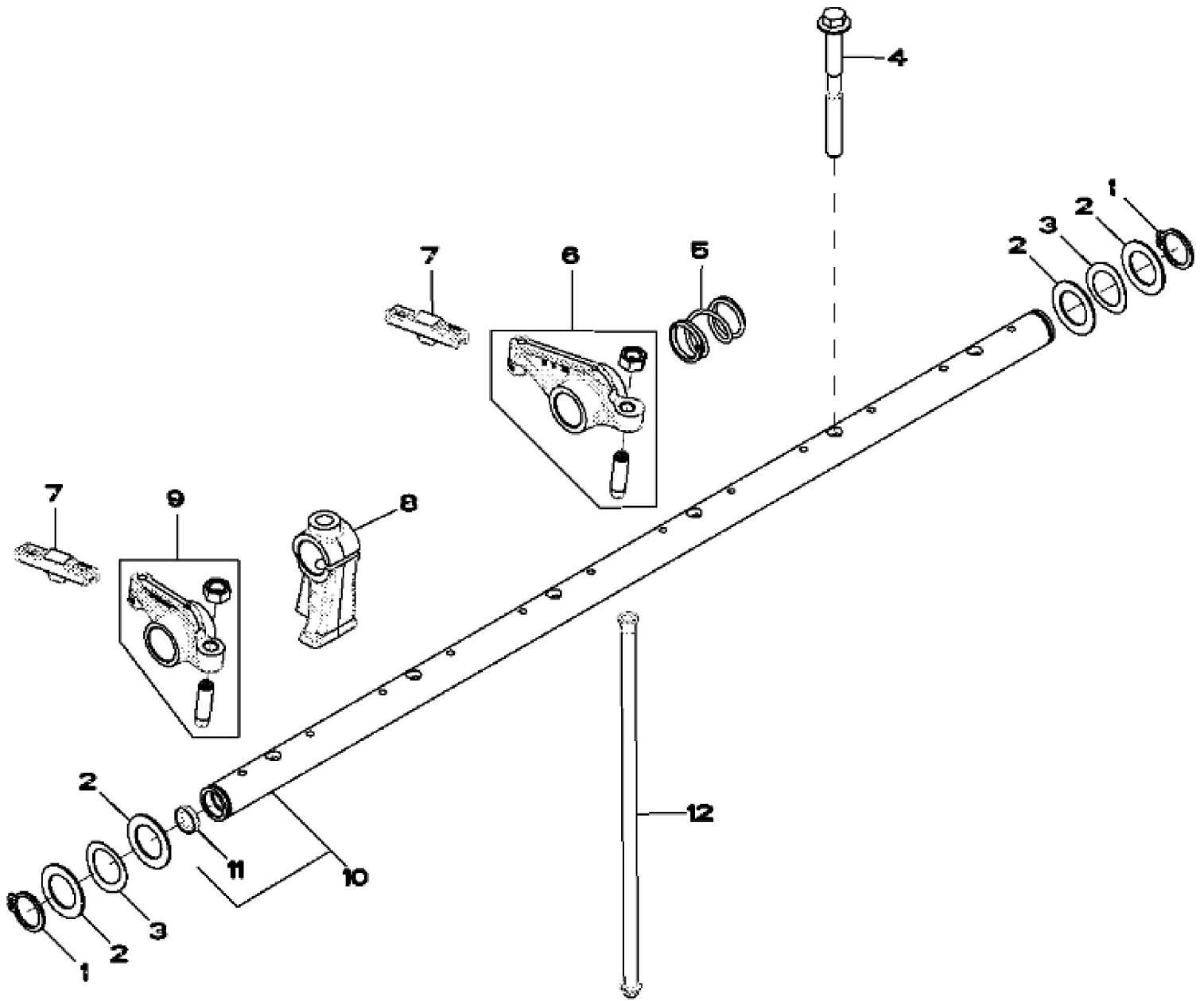
If the above button click is invalid. Please download this document first, and then click the above link to download the complete manual.

Thank you so much for reading



John Deere > Construction And Forestry > EXCAVATOR > 380GLC - EXCAVATOR > 380GLC Excavator (PIN: 1FF380GX_ _D900001-) > 04 ENGINE 6090HT002- RE524739-RE524739 > 0400 ENGINE 6090HT002- RE524739-RE524739 6090HT002- RE524739 > ST30570 - 4801 CONNECTING RODS AND PISTONS

| KEY | PART NO. | PART NAME | QTY | REMARKS |
|-----|----------|----------------------|-----|--|
| 1 | R542878 | CAP SCREW | 12 | |
| 2 | DZ101959 | PISTON PIN | 6 | OD = 47 mm, LGTH = 79 mm, SUB FOR R517073 |
| 3 | DZ10083 | PISTON RING | 6 | PKG (3), SUB FOR RE539642 |
| 4 | R519640 | SNAP RING | 12 | |
| 5 | DZ100117 | CONNECTING ROD | 6 | MARKED DZ100421, SUB FOR RE517436 OR RE535554 |
| 5 | SE501759 | CONNECTING ROD REMAN | AR | REMAN FOR RE535554 |
| 5 | SE501748 | CONNECTING ROD REMAN | AR | REMAN FOR RE517436 |
| 6 | R74008 | BUSHING | 6 | |
| 7 | RE529318 | BEARING | 6 | KIT; R519454 |
| 8 | DZ10211 | PISTON-LINER KIT | 6 | PISTON MARKED RE529264, SUB FOR RE545266 OR RE571507 |



RE523132PCDC02

<https://www.ebooklibonline.com>

Hello dear friend!

Thank you very much for reading.

Enter the link into your browser.

The full manual is available for immediate download.

<https://www.ebooklibonline.com>