

1721_RE553407_PCD

John Deere > Construction And Forestry > EXCAVATOR > 350GLC - EXCAVATOR > 350GLC Excavator (PIN: 1FF350GX_ F809192-)(Engine 6090HT012) > 04A ENGINE 6090HT012 -RE548089 > 0400A
 ENGINE 6090HT012 -RE548089 6090HT012 > ST790850 - 1721 AIR INTAKE

KEY	PART NO.	PART NAME	QTY	REMARKS
1	R532724	GASKET	1	
2	RE537639	MANIFOLD AIR PRESS. SENSOR	1	
3	RE537635	TEMPERATURE SENSOR	2	
4	RE550968	INTAKE MANIFOLD	1	
5	R548750	SEALING WASHER	7	
6	19M10075	SCREW	7	M8 X 110
7	R528304	SEAL	1	
8	14M7296	FLANGE NUT	4	M10
9	R527998	AIR INTAKE	1	
10	R528163	GASKET	2	
11	RE536574	VALVE	1	
12	R532016	NOZZLE	1	
13	19M8874	SCREW	4	M8 X 75
14	19M10219	SCREW	6	M8 X 80
15	19M10270	SCREW	1	M8 X 55

<https://www.ebooklibonline.com>

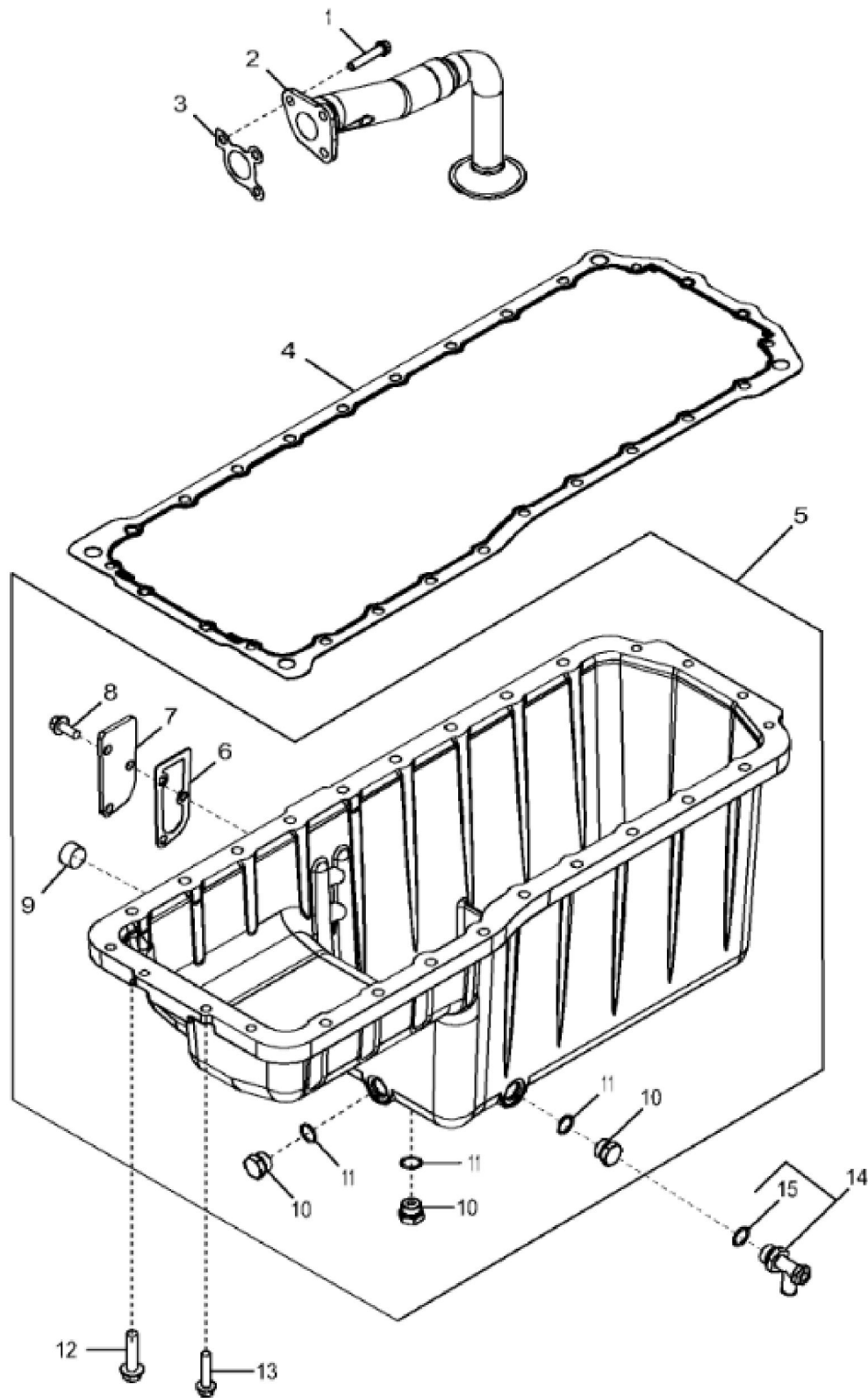
Hello dear friend!

Thank you very much for reading.

Enter the link into your browser.

The full manual is available for immediate download.

<https://www.ebooklibonline.com>



John Deere > Construction And Forestry > EXCAVATOR > 350GLC - EXCAVATOR > 350GLC Excavator (PIN: 1FF350GX_ F809192-)(Engine 6090HT012) > 04A ENGINE 6090HT012 -RE548089 > 0400A
ENGINE 6090HT012 -RE548089 6090HT012 > ST271079 - 1933 OIL PAN

KEY	PART NO.	PART NAME	QTY	REMARKS	
1	R536840	SCREW	3		
2	RE523867	OIL PUMP INTAKE	1		
3	R100569	GASKET	1		
4	R527658	GASKET	1		
5	RE523896	OIL PAN	1		
6	RE63439	GASKET	1		
7	R519285	COVER	1		
8	19M7785	SCREW	3	M10 X 25	
9	15H690	PIPE PLUG	1	3/4"	
10	R27474	DRAIN PLUG	3		
11	R47151	O-RING	3		
12	19M8306	SCREW	18	M12 X 50	
13	19M7806	SCREW	8	M10 X 50	
14	AT152180	DRAIN VALVE	1		
15	R26906	O-RING	1		



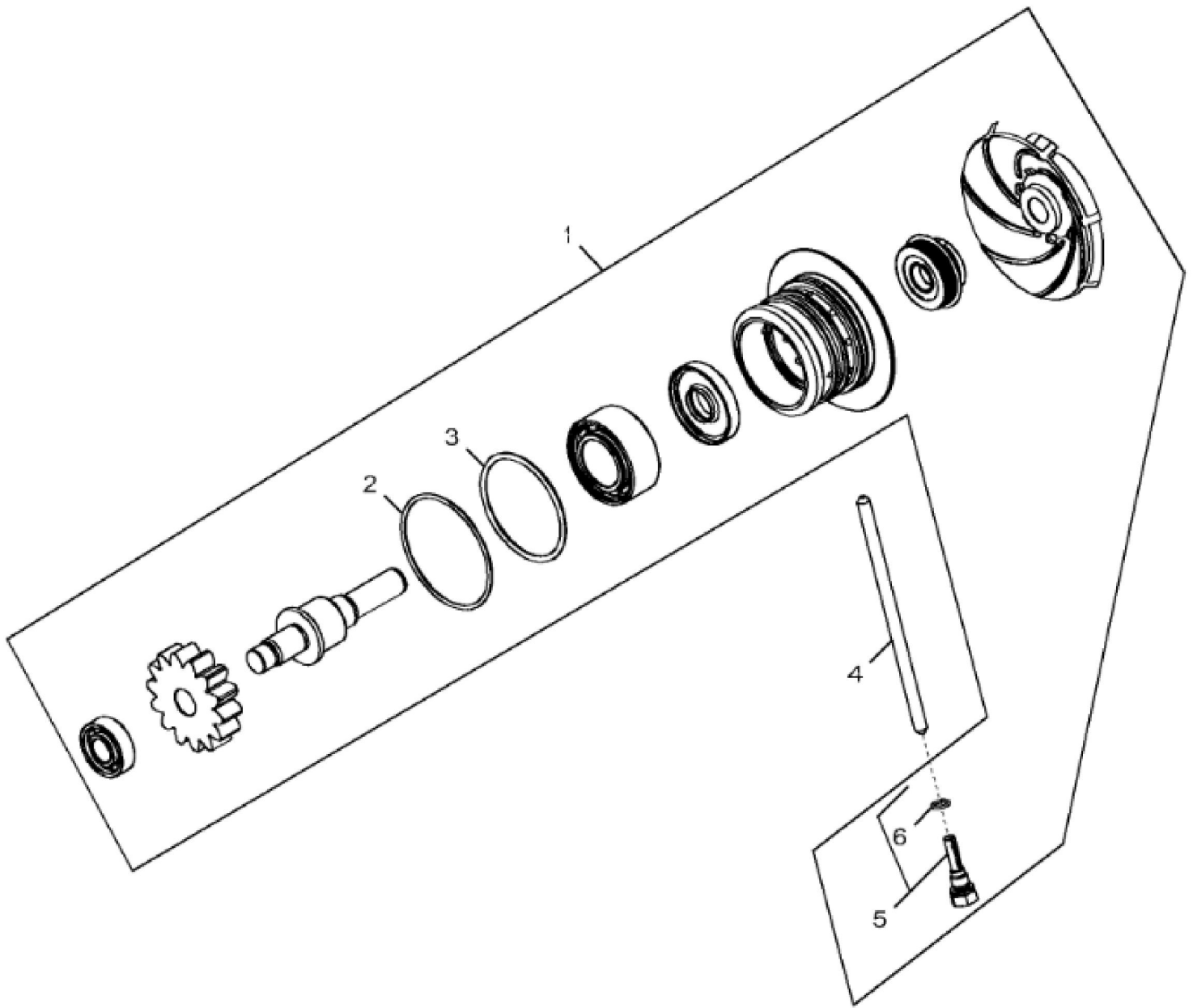
Suggest:

For more complete manuals. Please go to the home page.

<https://www.ebooklibonline.com>

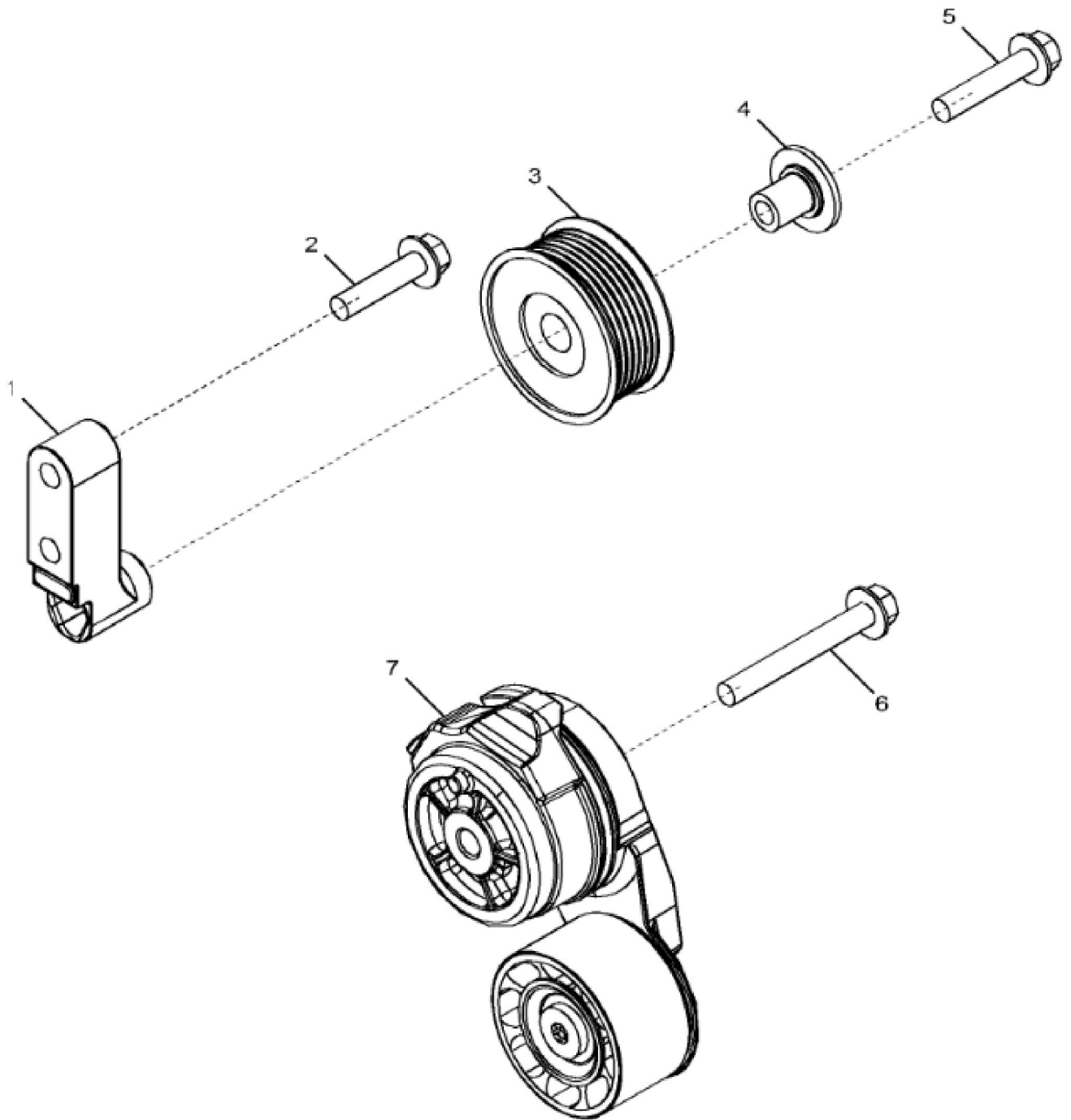
If the above button click is invalid. Please download this document first, and then click the above link to download the complete manual.

Thank you so much for reading



John Deere > Construction And Forestry > EXCAVATOR > 350GLC - EXCAVATOR > 350GLC Excavator (PIN: 1FF350GX_ F809192-)(Engine 6090HT012) > 04A ENGINE 6090HT012 -RE548089 > 0400A ENGINE 6090HT012 -RE548089 6090HT012 > ST21695 - 2002 WATER PUMP

KEY	PART NO.	PART NAME	QTY	REMARKS	
1	DZ102107	WATER PUMP	1	SUB FOR RE548846 OR RE553432	
1	SE502545	WATER PUMP REMAN	AR	REMAN FOR DZ102107 OR RE553432	
2	RE542557	FITTING	1		
3	51M7039	O-RING	1	8.100 X 1.600 mm	
4	R527385	PIN	1		
5	DZ104600	O-RING KIT	1		
6	R539366	O-RING	1		



<https://www.ebooklibonline.com>

Hello dear friend!

Thank you very much for reading.

Enter the link into your browser.

The full manual is available for immediate download.

<https://www.ebooklibonline.com>