

KEY	PART NO.	PART NAME	QTY	REMARKS
1	DZ10207	PISTON-LINER KIT	6	SUB FOR RE542629
2	R527468	SHIM	6	
3	RE541037	O-RING KIT	6	
4	R522884	CAMSHAFT	1	
4	SE501775	CAMSHAFT REMAN	1	REMAN FOR R522884
5	R54326	O-RING	6	
6	RE522991	ORIFICE	6	
7	RE555307	CAM FOLLOWER ROLLER	12	SUB FOR RE540586 OR RE535576
8	AT13740	DRAIN VALVE	1	
9	CYLINDER BLOCK	1	MARKED R534403; ORDER DZ10590
10	R527877	BUSHING	6	
11	RE71255	PIPE PLUG	2	SUB FOR RE42713
12	RE46686	FITTING	3	
13	51M7040	O-RING	2	9.300 X 2.200 mm
14	R518034	BUSHING	1	
15	RE537634	SENSOR	2	Magnetic Pickup Sensor
16	RE546932	FITTING	1	
17	RE537640	ENGINE OIL PRESS. SENSOR	1	
18	R519287	CAP SCREW	14	
19	R120954	BEARING CAP	1	
20	R120953	BEARING CAP	6	
21	RE57836	PIPE PLUG	2	
22	R82007	PLUG	1	
23	R528098	GEAR	1	Z = 54
24	R518255	GEAR	1	Z = 64
25	R504811	WASHER	1	
26	26H91	SHAFT KEY	1	3/16" X 1-1/4"

<https://www.ebooklibonline.com>

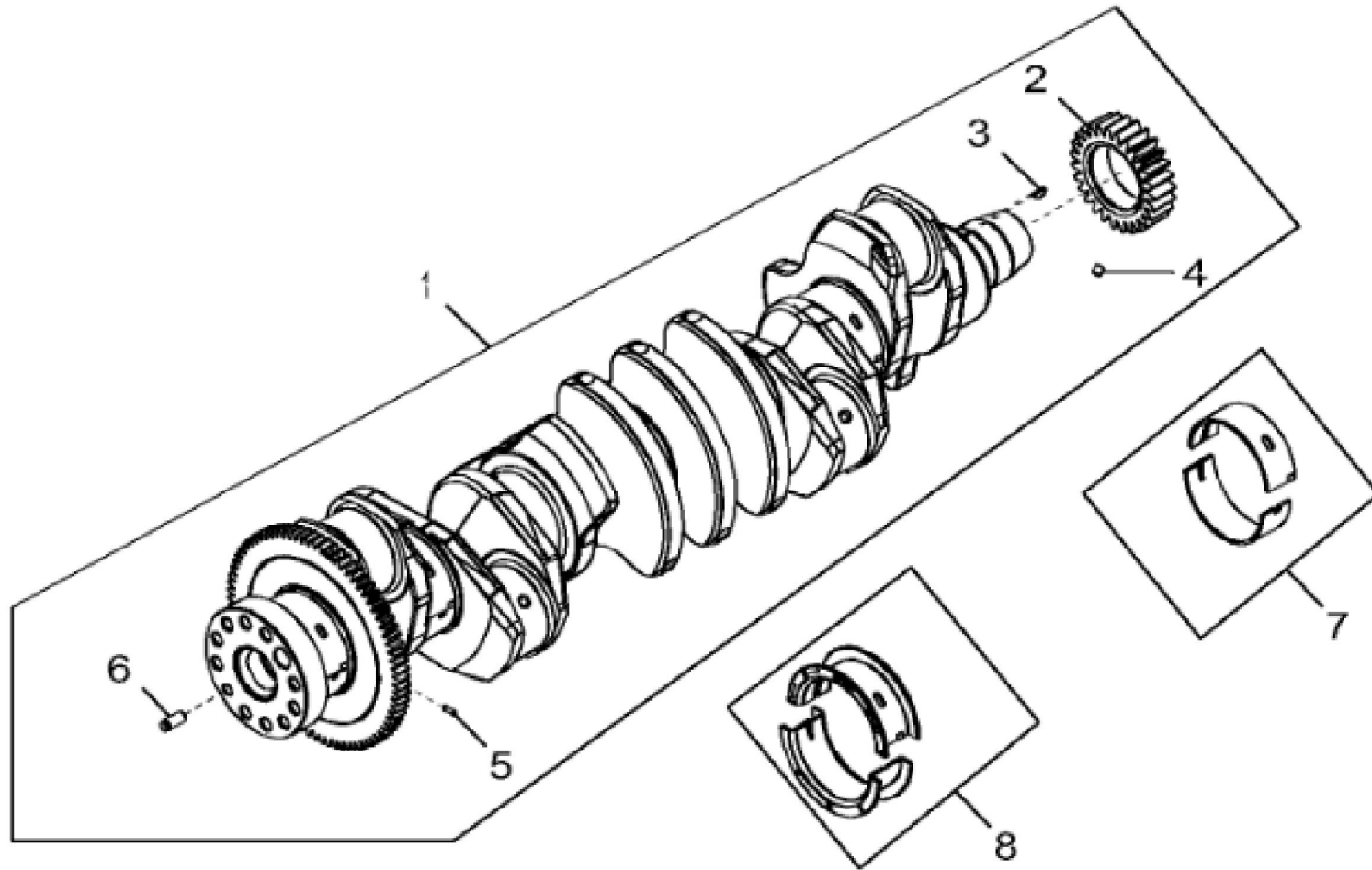
Hello dear friend!

Thank you very much for reading.

Enter the link into your browser.

The full manual is available for immediate download.

<https://www.ebooklibonline.com>



John Deere > Construction And Forestry > EXCAVATOR > 350GLC - EXCAVATOR > 350GLC Excavator (PIN: 1FF350GX__E808001-E809191)(Engine 6090HT010) > 04 ENGINE 6090HT010-RE537652 > 0400 ENGINE 6090HT010-RE537652 6090HT010 > ST120905 - 4702 CRANKSHAFT AND BEARINGS

KEY	PART NO.	PART NAME	QTY	REMARKS	
1	RE565972	CRANKSHAFT	1	MARKED DZ100385; SUB FOR RE548603 OR RE533517	
1	SE502713	CRANKSHAFT REMAN	1	(With Bearings) REMAN FOR RE565972	
2	R543259	GEAR	1		
3	R120752	KEY	1		
4	AT107510	PLUG	6		
5	34M7089	DOWEL PIN	1	4 X 12 mm	
6	44M7036	DOWEL PIN	1		
7	RE529319	BEARING	6		
8	RE529320	THRUST BEARING	1		



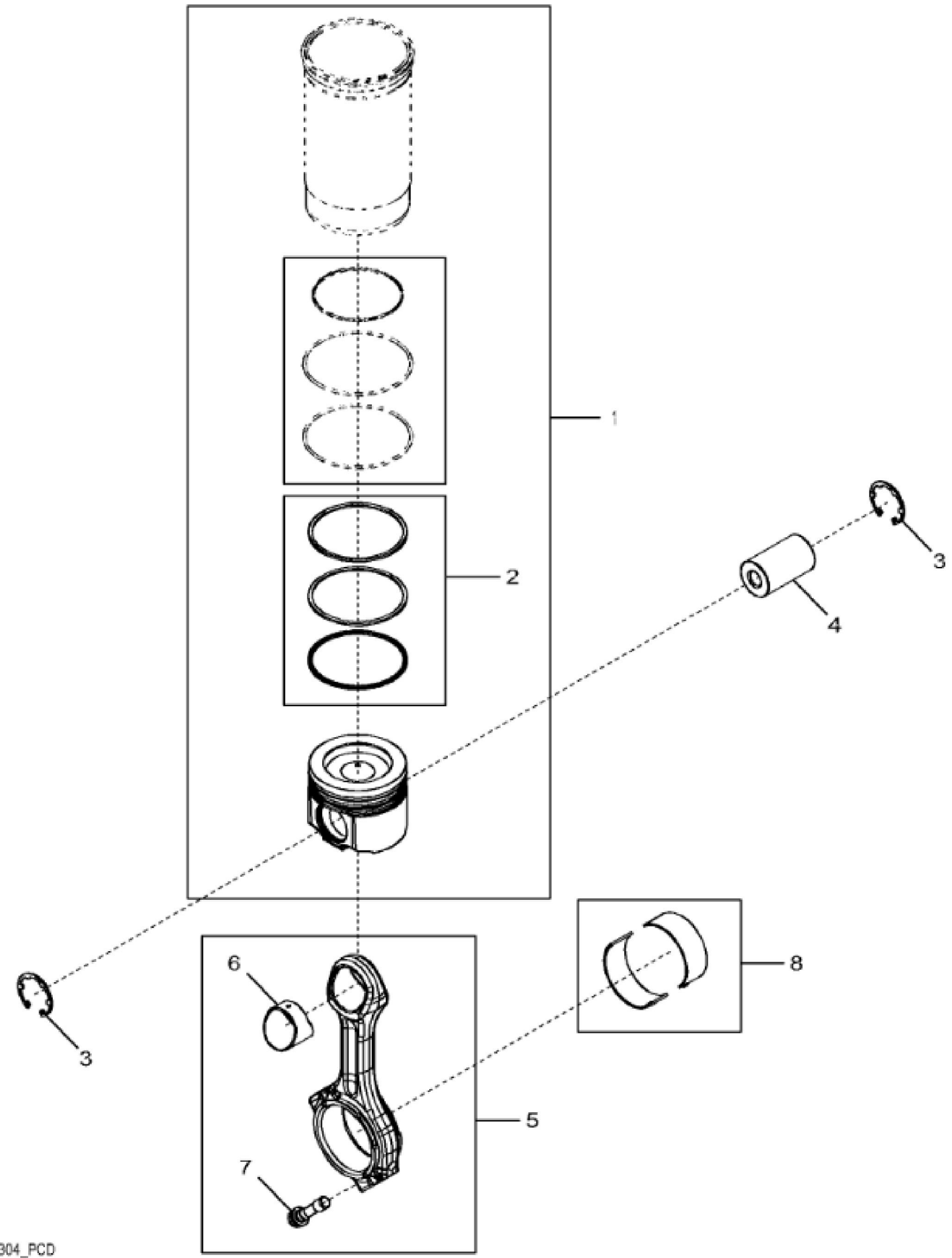
Suggest:

For more complete manuals. Please go to the home page.

<https://www.ebooklibonline.com>

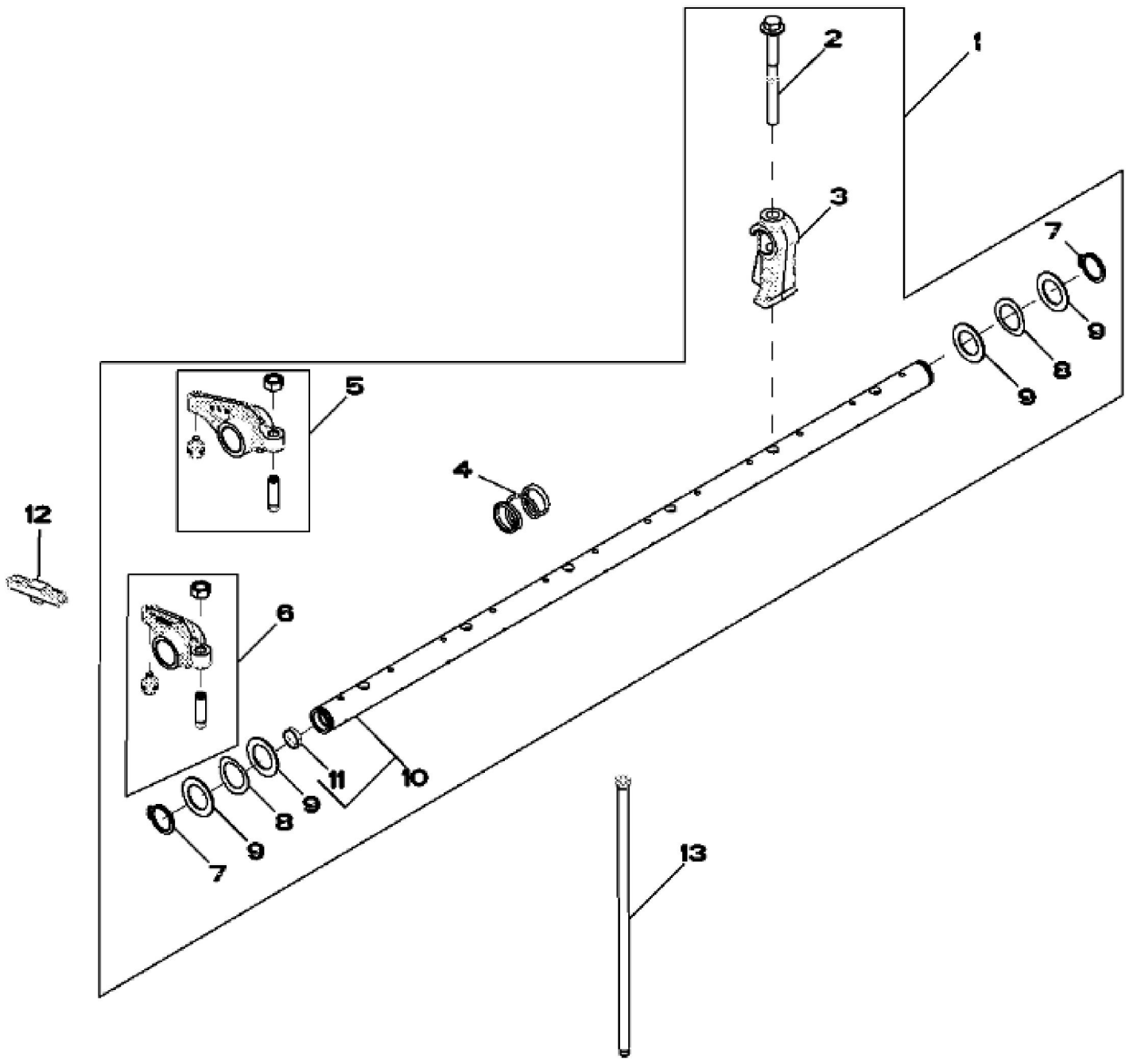
If the above button click is invalid. Please download this document first, and then click the above link to download the complete manual.

Thank you so much for reading



John Deere > Construction And Forestry > EXCAVATOR > 350GLC - EXCAVATOR > 350GLC Excavator (PIN: 1FF350GX__E808001-E809191)(Engine 6090HT010) > 04 ENGINE 6090HT010-RE537652 > 0400 ENGINE 6090HT010-RE537652 6090HT010 > ST120906 - 4803 CONNECTING RODS AND PISTONS

KEY	PART NO.	PART NAME	QTY	REMARKS
1	DZ10207	PISTON-LINER KIT	6	PISTON MARKED RE555132
2	DZ10083	PISTON RING KIT	6	SUB FOR RE539641
3	R519640	SNAP RING	12	
4	DZ101959	PISTON PIN	6	SUB FOR R517073
5	RE565318	CONNECTING ROD	6	MARKED DZ100420; SUB FOR RE537877
5	SE502544	CONNECTING ROD REMAN	AR	REMAN FOR RE537877
6	R74008	BUSHING	6	
7	R542878	CAP SCREW	12	
8	RE538581	BEARING	6	KIT; R526721 AND R526722



RE533305PCDA01

<https://www.ebooklibonline.com>

Hello dear friend!

Thank you very much for reading.

Enter the link into your browser.

The full manual is available for immediate download.

<https://www.ebooklibonline.com>