

KEY	PART NO.	PART NAME	QTY	Engine Serial No.	350D	355D	REMARKS
1	R48685	DOWEL PIN	2		X	X	
2	15H690	PIPE PLUG	1		X	X	3/4"
3	R26241	DOWEL PIN	2		X	X	
4	15H275	PIPE PLUG	1		X	X	1/4"
5	AT13740	DRAIN VALVE	AR		X	X	
6	.....	CYLINDER BLOCK	1	____-741897	X	X	(MARKED R72962) (SUB AR97201)
6	.....	CYLINDER BLOCK	1	741898-____	X	X	(MARKED R89834) (SUB RE29217)
7	R122226	STUD	2	____-707591	X	X	3/8"-16UNC X 2.680", (SUB R84984 AND 14H774, THIS APPLICATION) (SUB FOR R122226)
7	R84984	STUD	2	707592-____	X	X	3/8"-24UNF X 2.677"
8	T25701	STUD	1	____-729358	X	X	3/8"-16UNC X 2.190", (SUB R82674 AND 14H774, THIS APPLICATION)
8	R82674	STUD	1	729359-____	X	X	3/8"-24UNF X 1.969"
9	T18891	PLUG	1		X	X	
10	R26493	BUSHING	1		X	X	
11	R26650	DOWEL PIN	1		X	X	(A)
11	A4879R	DOWEL PIN	1		X	X	(A)
12	R46625	SPRING	1		X	X	
13	R73139	FLOW CONTROL HYD. VALVE	1		X	X	
14	15H666	PIPE PLUG	1		X	X	3/8"
15	R54802	ORIFICE	3		X	X	
16	T23435	THREADED NIPPLE	1		X	X	
17	AR97201	CYLINDER BLOCK	1	____-741897	X	X	(MARKED R72962) (ORDER RE29217 AND (14) R85363) (ALSO ORDER 15H519)
17	RE29217	CYLINDER BLOCK	1	741898-____	X	X	(MARKED R89834) (ALSO ORDER 15H519)
18	R55233	PIPE PLUG	1		X	X	
19	15H558	PIPE PLUG	4	736232-____	X	X	1/8", OIL GALLERY
20	15H519	PIPE BUSHING	AR		X	X	3/4", TURBOCHARGER RETURN LINE

**<https://www.ebooklibonline.com>**

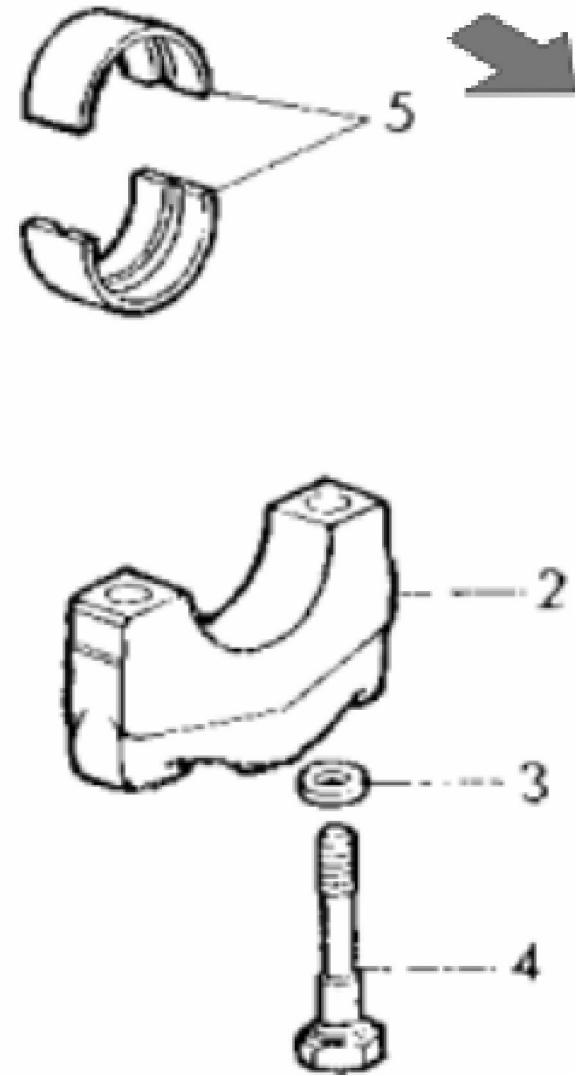
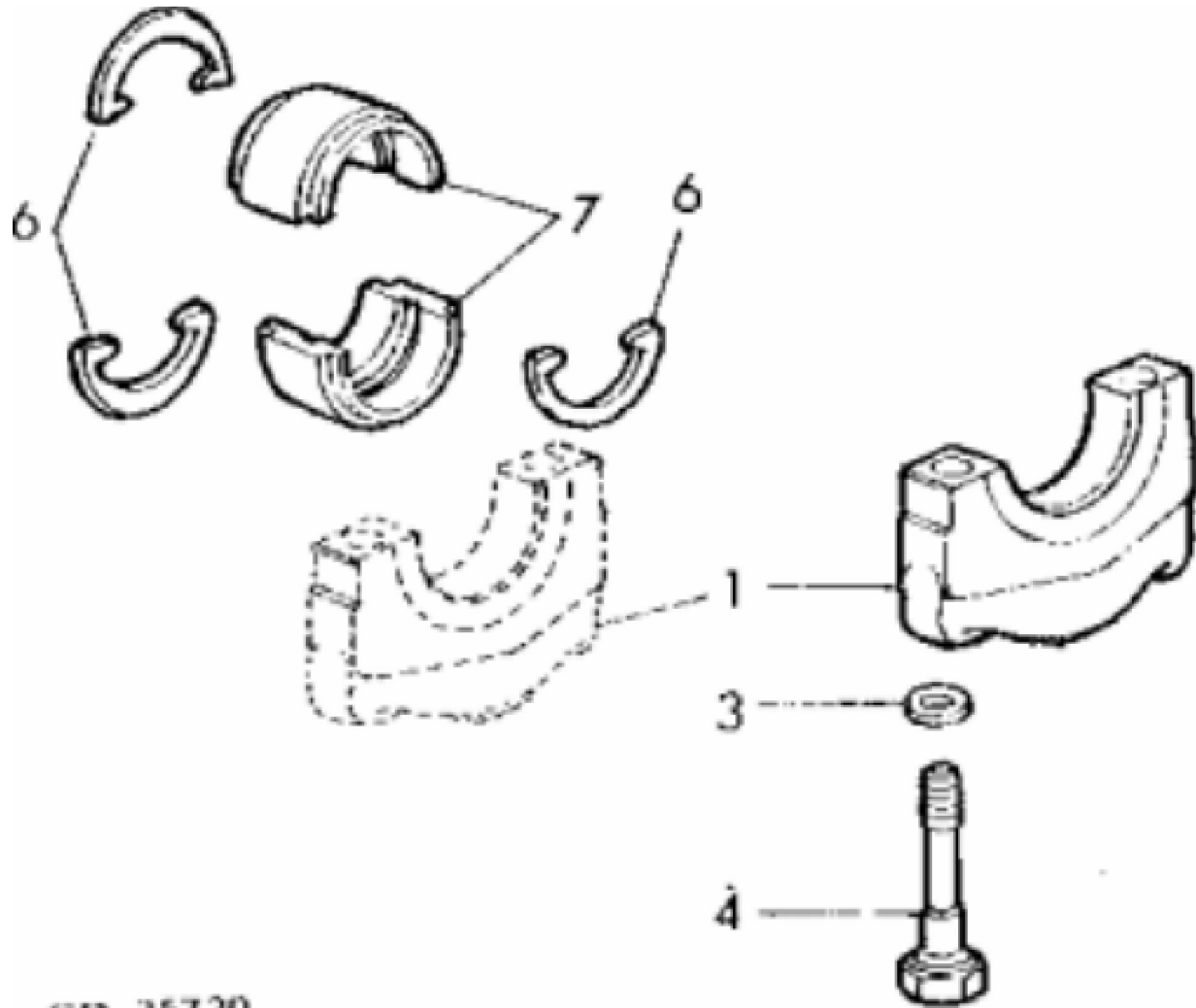
Hello dear friend!

Thank you very much for reading.

Enter the link into your browser.

The full manual is available for immediate download.

**<https://www.ebooklibonline.com>**



CD 25720

John Deere > Construction And Forestry >BULLDOZER >355D - BULLDOZER >350D Crawler Bulldozer and 355D Crawler Loader >4 ENGINE 4 >CYLINDER BLOCK 0404 >0404-6 - CRANKSHAFT BEARINGS AND CAPS [01D21]

KEY	PART NO.	PART NAME	QTY	350D	355D	REMARKS
1	R79089	CAP	1	X	X	REAR
2	R65215	BEARING CAP	3	X	X	
3	T20168	WASHER	8	X	X	
4	T23474	CAP SCREW	8	X	X	
5	RE27352	BEARING KIT	6	X	X	I.D.= STANDARD, (KIT (2) R83380) (SUB FOR AT21140) (KIT (2) T23214)
5	RE27353	BEARING KIT	AR	X	X	I.D.= -0.254MM(0.010"), (KIT (2) R87750) (SUB FOR AT21108) (KIT (2) T23552) AND (SUB FOR AT21110) (KIT (2) T23554)
5	RE27360	KIT	AR	X	X	I.D.= -0.508MM(0.020") (KIT (2) R87756) (SUB FOR AT21112) (KIT (2) T23556)
5	RE27368	KIT	AR	X	X	I.D.= -0.762MM(0.030") (KIT (2) R87759) (SUB FOR AT21114) (KIT (2) T23558)
6	RE13571	KIT	1	X	X	TK= STANDARD (KIT (3) R78598)
6	AR95932	KIT	AR	X	X	TK= +0.17MM(0.007") (KIT (3) R64851)
7	RE57279	BEARING	1	X	X	(SUB FOR AR81786) (SUB FOR RE27350 AND RE60350) (REAR) I.D.= STANDARD, (KIT (2) R83381) (KIT (2) R64264)
7	RE27351	KIT	AR	X	X	(REAR) I.D.= -0.254MM(0.010") (KIT (2) R87749) (SUB FOR AR81787) (KIT (2) R64847) AND (SUB FOR AR81788) (KIT (2) R64848)
7	RE27359	KIT	AR	X	X	(REAR) I.D.= -0.508MM(0.020") (KIT (2) R87755) (SUB FOR AR81789) (KIT (2) R64849)
7	RE27366	KIT	AR	X	X	(REAR) I.D.= -0.762MM(0.030") (KIT (2) R87758) (SUB FOR AR81790) (KIT (2) R64850)



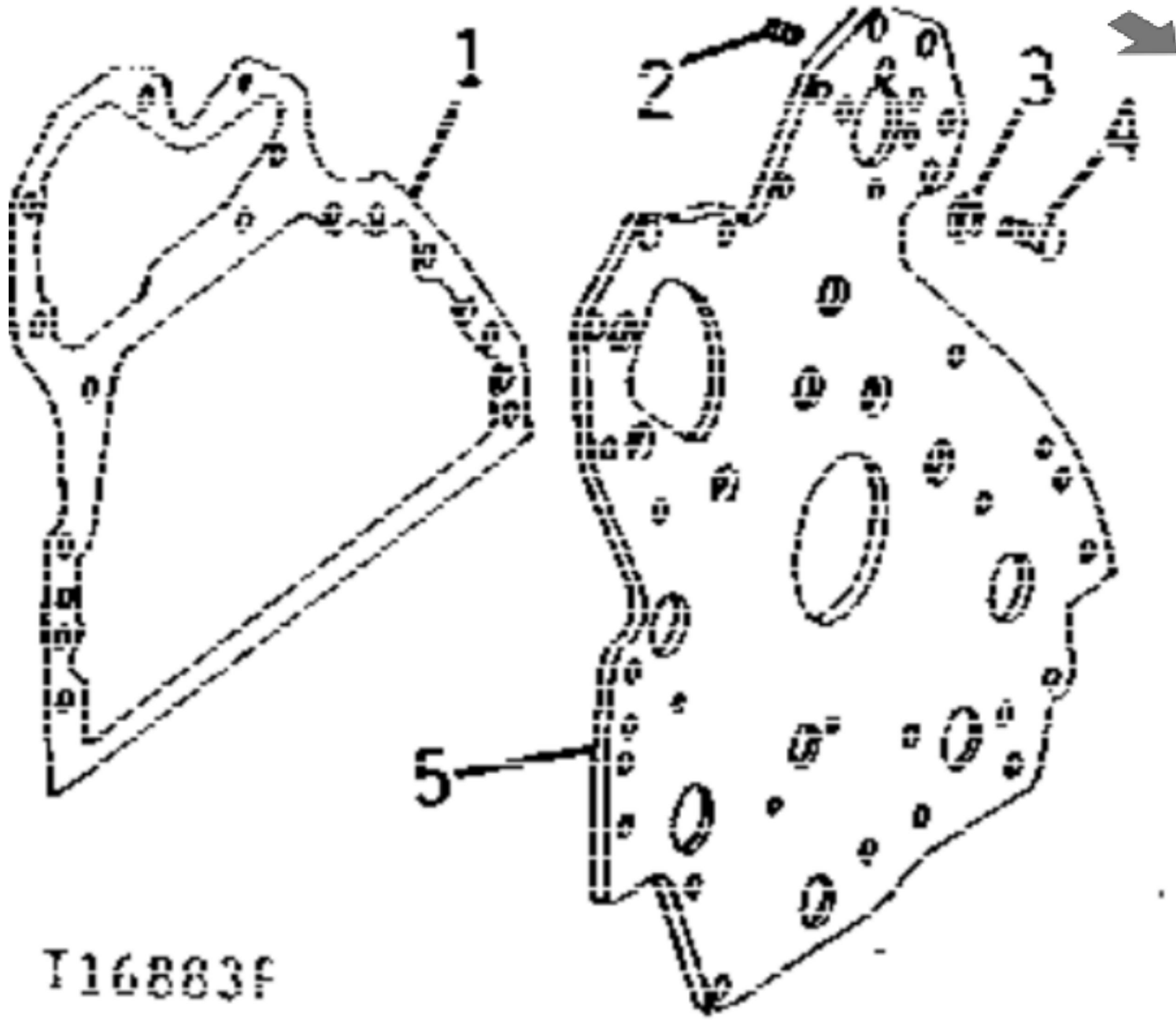
**Suggest:**

**For more complete manuals. Please go to the home page.**

**<https://www.ebooklibonline.com>**

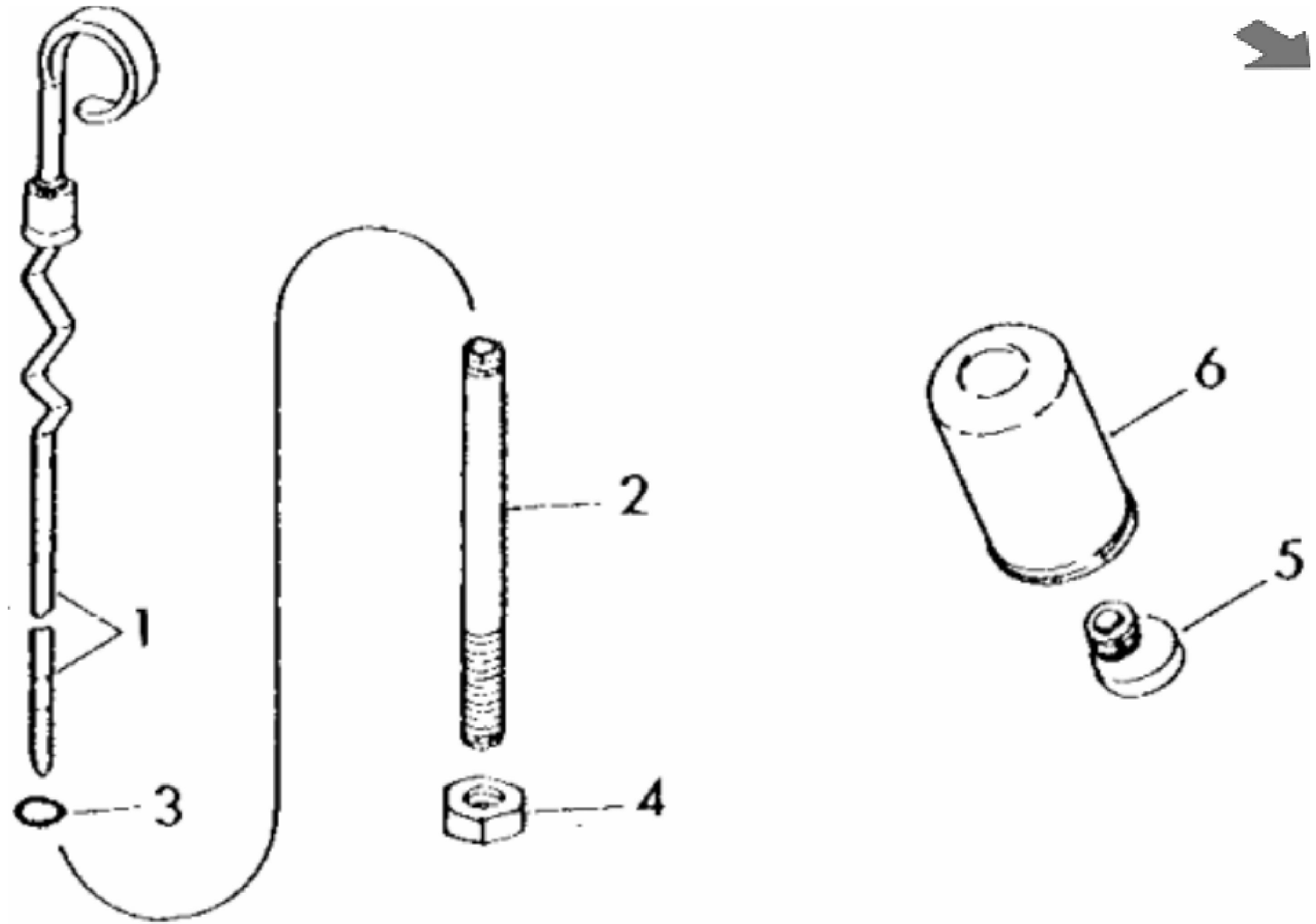
**If the above button click is invalid. Please download this document first, and then click the above link to download the complete manual.**

**Thank you so much for reading**



T16883F

KEY	PART NO.	PART NAME	QTY	350D	355D	REMARKS
1	R131794	GASKET	1	X	X	(SUB FOR R90648)
2	AT21191	SET SCREW	5	X	X	
2	AT22919	SET SCREW	2	X	X	
3	12H324	WASHER	5	X	X	3/8"
4	T20166	SCREW	5	X	X	
5	R79863	PLATE	1	X	X	(ALSO ORDER (5) AT21191 SET SCREWS AND (2) AT22919 SET SCREWS)



CD 25750

**<https://www.ebooklibonline.com>**

Hello dear friend!

Thank you very much for reading.

Enter the link into your browser.

The full manual is available for immediate download.

**<https://www.ebooklibonline.com>**