

T36075

John Deere > Construction And Forestry >CRAWLER LOADER >350C - CRAWLER LOADER >350C Crawler Bulldozer, Loader >4 ENGINE 4 >CAMSHAFT AND VALVE ACTUATING MEANS 0402 >00402-1 -
 ROCKER ARM COVER (ENGINE SERIAL NO. 329334-621172) (MANUFACTURED 1974-1983) (ENGINE SERIAL NO. 100001-) (MANUFACTURED 1983-) [01D20]

| KEY | PART NO. | PART NAME | QTY | Engine Serial No. | REMARKS |
|-----|----------|-------------------|-----|-------------------|---|
| 1 | RE44202 | VALVE COVER | 1 | | (SUB FOR AT18016, ALSO ORDER RE32140 SCREW WITH WASHER) |
| 2 | AR45530 | SCREW WITH WASHER | 6 | ____-608618 | |
| 2 | AR103811 | SCREW WITH WASHER | 6 | 608619-____ | (SUB FOR AR100124) |
| 3 | T20111 | GASKET | 1 | ____-608618 | (SUB AR102261 AND (6) AR103811) |
| 3 | AR102261 | GASKET | 1 | 608619-____ | |

<https://www.ebooklibonline.com>

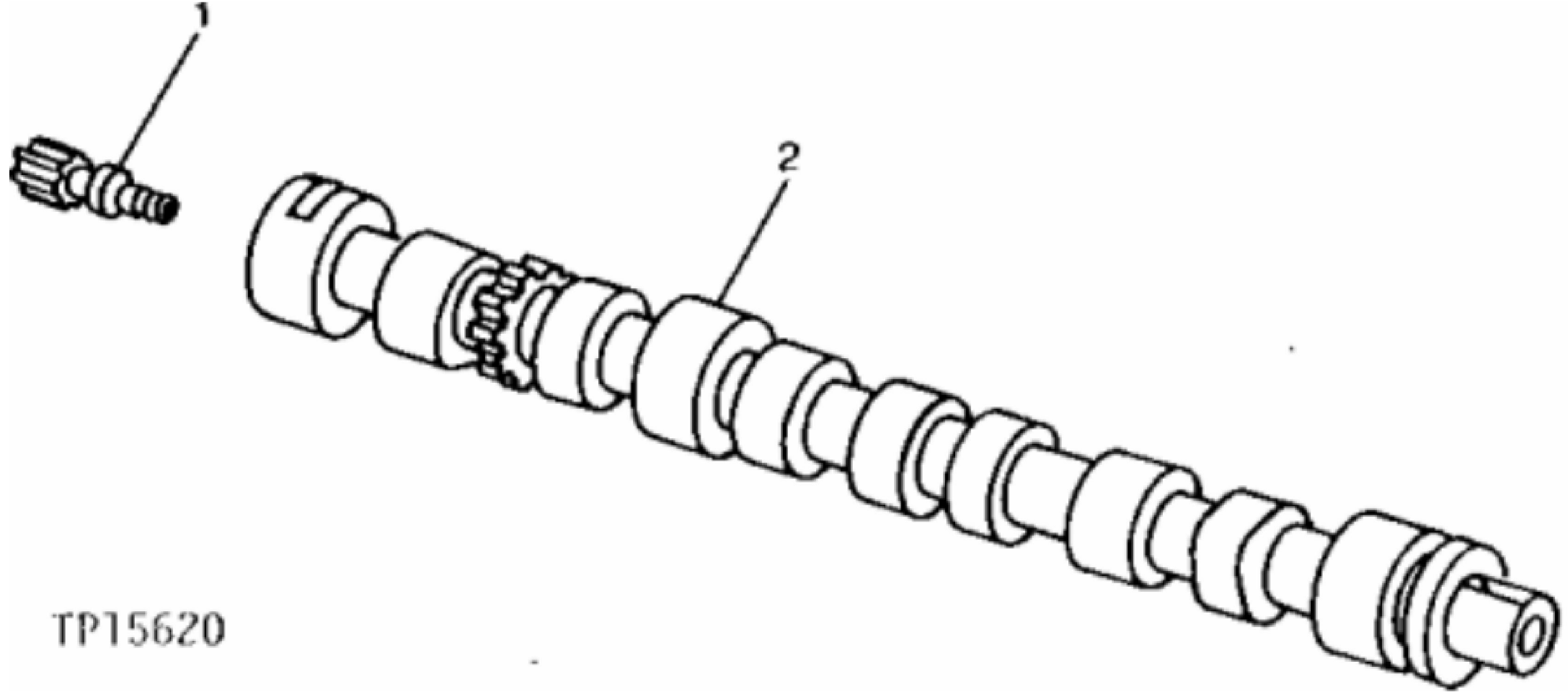
Hello dear friend!

Thank you very much for reading.

Enter the link into your browser.

The full manual is available for immediate download.

<https://www.ebooklibonline.com>



TP15620

John Deere > Construction And Forestry >CRAWLER LOADER >350C - CRAWLER LOADER >350C Crawler Bulldozer, Loader >4 ENGINE 4 >CAMSHAFT AND VALVE ACTUATING MEANS 0402 >00402-1A - REPLACEMENT CAMSHAFT [01D21]

| KEY | PART NO. | PART NAME | QTY | REMARKS | |
|-----|----------|-----------|-----|------------|--|
| 1 | R81515 | GEAR | 1 | (12 TEETH) | |
| 2 | R82819 | CAMSHAFT | 1 | | |



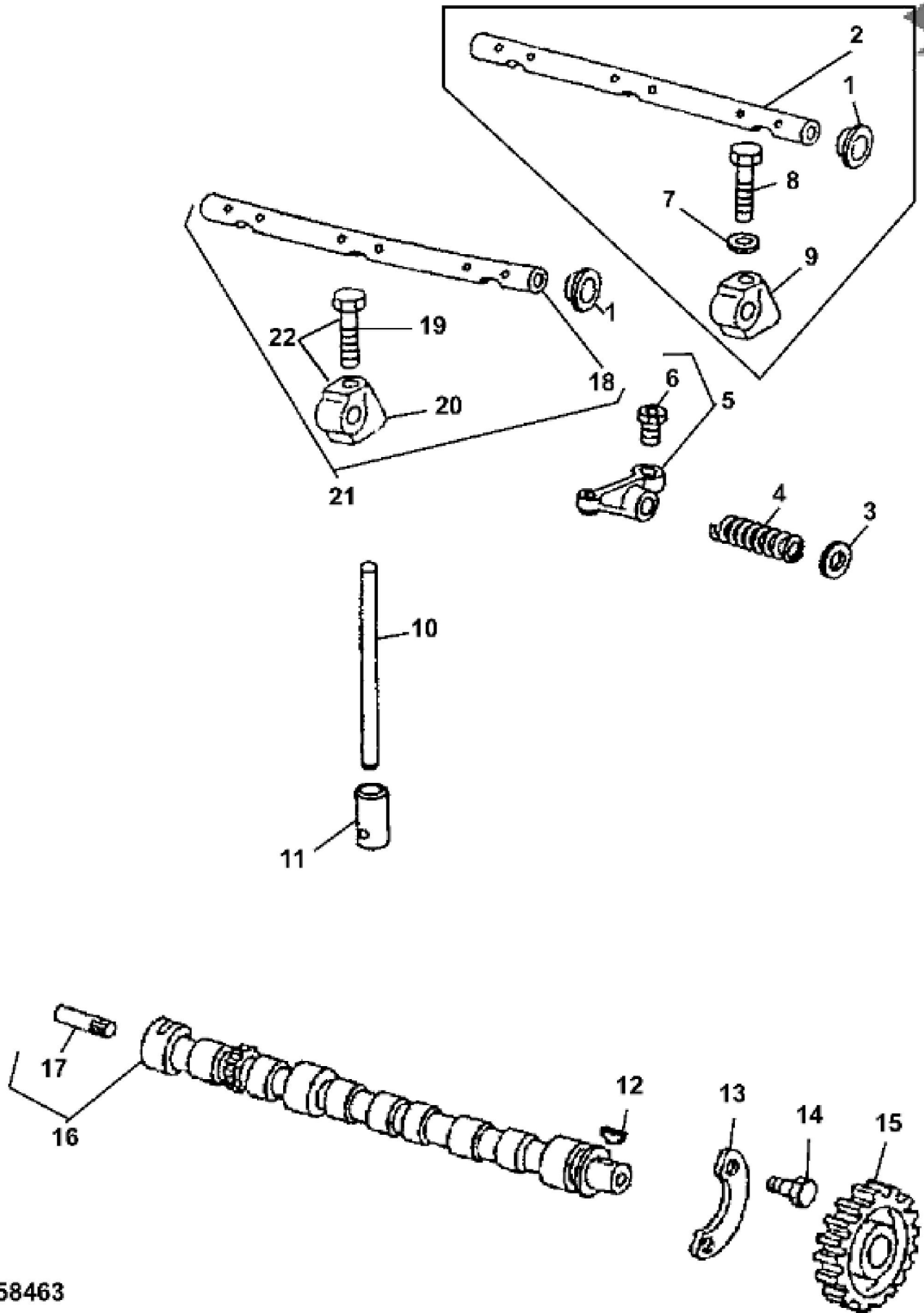
Suggest:

For more complete manuals. Please go to the home page.

<https://www.ebooklibonline.com>

If the above button click is invalid. Please download this document first, and then click the above link to download the complete manual.

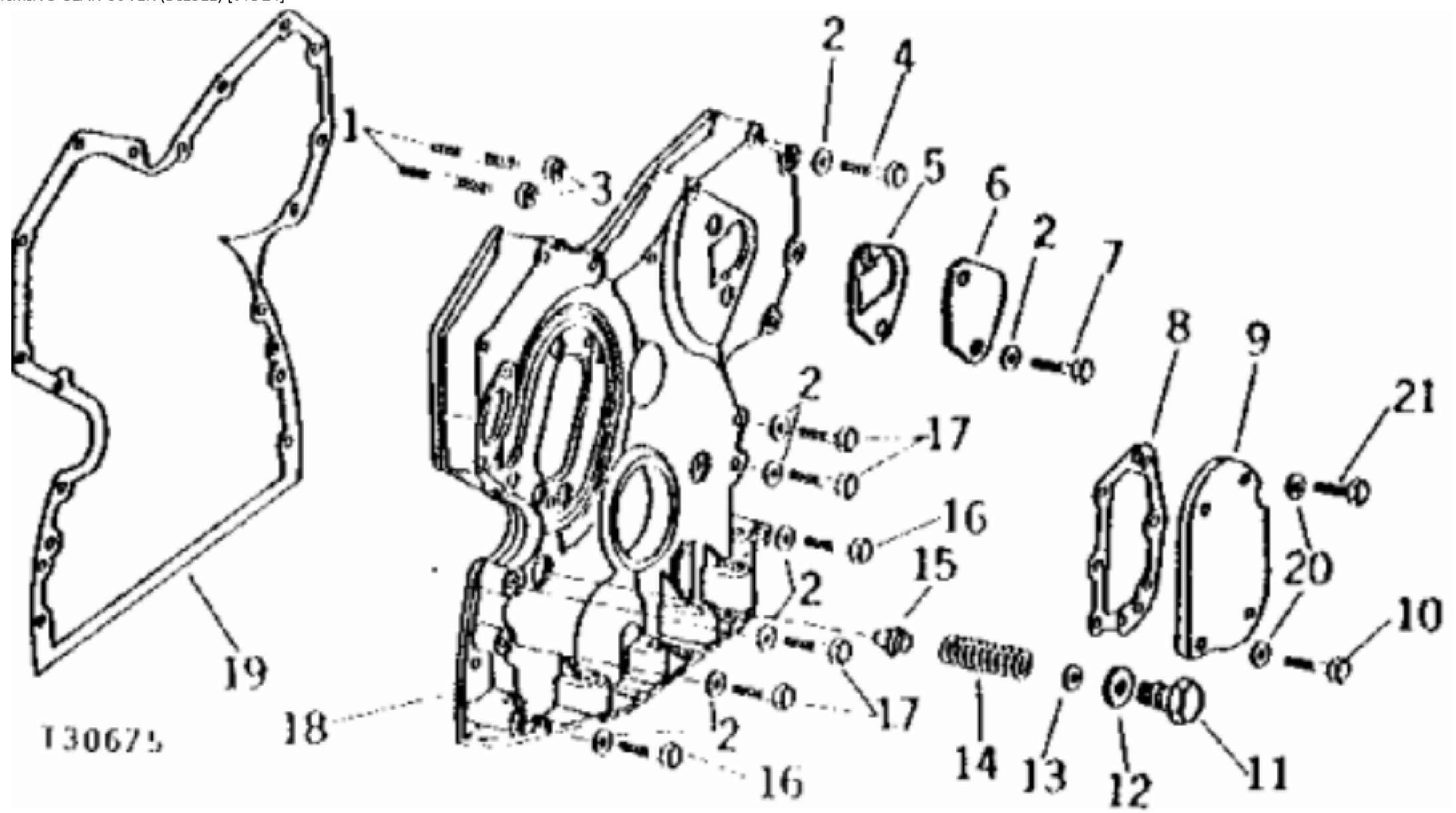
Thank you so much for reading



TP58463

John Deere > Construction And Forestry >CRAWLER LOADER >350C - CRAWLER LOADER >350C Crawler Bulldozer, Loader >4 ENGINE 4 >CAMSHAFT AND VALVE ACTUATING MEANS 0402 >00402-2 -
ROCKER ARM SHAFT, PUSH RODS AND ROCKER ARMS [01D22]

| KEY | PART NO. | PART NAME | QTY | REMARKS |
|-----|----------|--------------------|-----|---|
| 1 | R54565 | PLUG | 2 | |
| 2 | R54985 | ROCKER ARM SHAFT | 1 | (SUB RE502875) (USE WITH 19H3031 AND T20315) ROCKER ARM |
| 3 | T20316 | WASHER | 2 | BOWED |
| 4 | T20314 | SPRING | 2 | |
| 5 | RE31973 | ROCKER ARM | 6 | (SUB FOR AT31250, AR103769 AND RE19031) |
| 6 | T32213 | SCREW | 1 | (SUB RE31973) |
| 7 | R42729 | WASHER | 3 | (SUB FOR T23594) |
| 8 | 19H3031 | CAP SCREW | 3 | 3/8" X 2-1/2" |
| 9 | T20315 | SUPPORT | 3 | (SUB RE502861) (USE WITH 19H3031 AND R54985) |
| 10 | R82896 | PUSH ROD | 6 | (SUB FOR T20310) (DIESEL) |
| 11 | T20073 | TAPPET | 6 | |
| 12 | T28041 | SHAFT KEY | 1 | |
| 13 | T20072 | PLATE | 1 | |
| 14 | 19H2676 | CAP SCREW | 2 | 3/8" X 1" |
| 15 | T20070 | HELICAL GEAR | 1 | CAMSHAFT (48 TEETH) |
| 16 | AT31015 | CAMSHAFT | 1 | (MARKED T20016) (DIESEL) (SUB R82819 AND R81515) |
| 17 | T31947 | GEAR | 1 | TACHOMETER DRIVE (12 TEETH) |
| 18 | R501532 | SHAFT | 1 | |
| 19 | R504813 | SELF-LOCKING SCREW | AR | (SUB FOR R501529) |
| 19 | 19H3031 | CAP SCREW | AR | 3/8" X 2-1/2" |
| 20 | R123161 | SUPPORT | 3 | |
| 21 | RE502875 | ROCKER ARM SHAFT | 1 | |
| 22 | RE502861 | SUPPORT | 1 | |



130675

<https://www.ebooklibonline.com>

Hello dear friend!

Thank you very much for reading.

Enter the link into your browser.

The full manual is available for immediate download.

<https://www.ebooklibonline.com>