

TP14979

John Deere > Construction And Forestry > BULLDOZER > 350B - BULLDOZER > 350B and 350B (Tractor only) Crawler Tractor > 10 ENGINE > 10-1C - CYLINDER BLOCK AND MAIN BEARING CAPS 164 CUBIC INCH ENGINE (2 687 CM3) [01A19]

KEY	PART NO.	PART NAME	QTY	REMARKS
1	AT13740	DRAIN VALVE	1	(WITHOUT ENGINE COOLANT HEATER)
2	15H690	PIPE PLUG	AR	3/4", HEX. CTSK.
2	15H562	PIPE PLUG	AR	1"
3	R48685	DOWEL PIN	2	(SUB FOR R26241, THIS APPLICATION)
4	15H275	PIPE PLUG	AR	1/4", HEX. CTSK. (WITHOUT ENGINE COOLANT HEATER)
5	R39741	DRAIN PLUG	1	(WITHOUT ENGINE COOLANT HEATER)
6	T25701	STUD	1	WATER PUMP
6	R122226	STUD	2	(SUB FOR R122226) TIMING GEAR COVER
7	12H304	LOCK WASHER	3	3/8"
8	14H1076	NUT	3	3/8"
9	T18891	PLUG	2	
10	R26493	BUSHING	1	
11	R26650	DOWEL PIN	2	
12	15H666	PIPE PLUG	1	3/8"
13	R48685	DOWEL PIN	2	(SUB FOR A120R)
14	R54802	ORIFICE	3	
14	22H932	SET SCREW	3	5/16" X 3/8"
15	R79089	CAP	1	(SUB FOR AR82295)
16	R65215	BEARING CAP	3	(SUB FOR AR82294)
17	T20168	WASHER	8	
18	T23474	CAP SCREW	8	
19	15H558	PIPE PLUG	4	1/8"
20	R73139	FLOW CONTROL HYD. VALVE	1	
21	R46625	SPRING	1	
22	R75892	O-RING	1	(OIL PUMP TUBE) (USE AS REQUIRED)
23	T23435	THREADED NIPPLE	1	
24	U13639	O-RING	1	(WITHOUT ENGINE COOLANT HEATER)
25	RE19841	CYLINDER BLOCK	1	WITH MAIN BEARING CAPS, OIL FILTER NIPPLE, SLEEVE, PIPE PLUGS, DOWEL PINS, STUDS, CAPSCREWS, PISTON COOLING ORIFICES, WASHERS AND OIL PRESSURE RELIEF VALVE BUSHING, (MARKED R80408)

<https://www.ebooklibonline.com>

Hello dear friend!

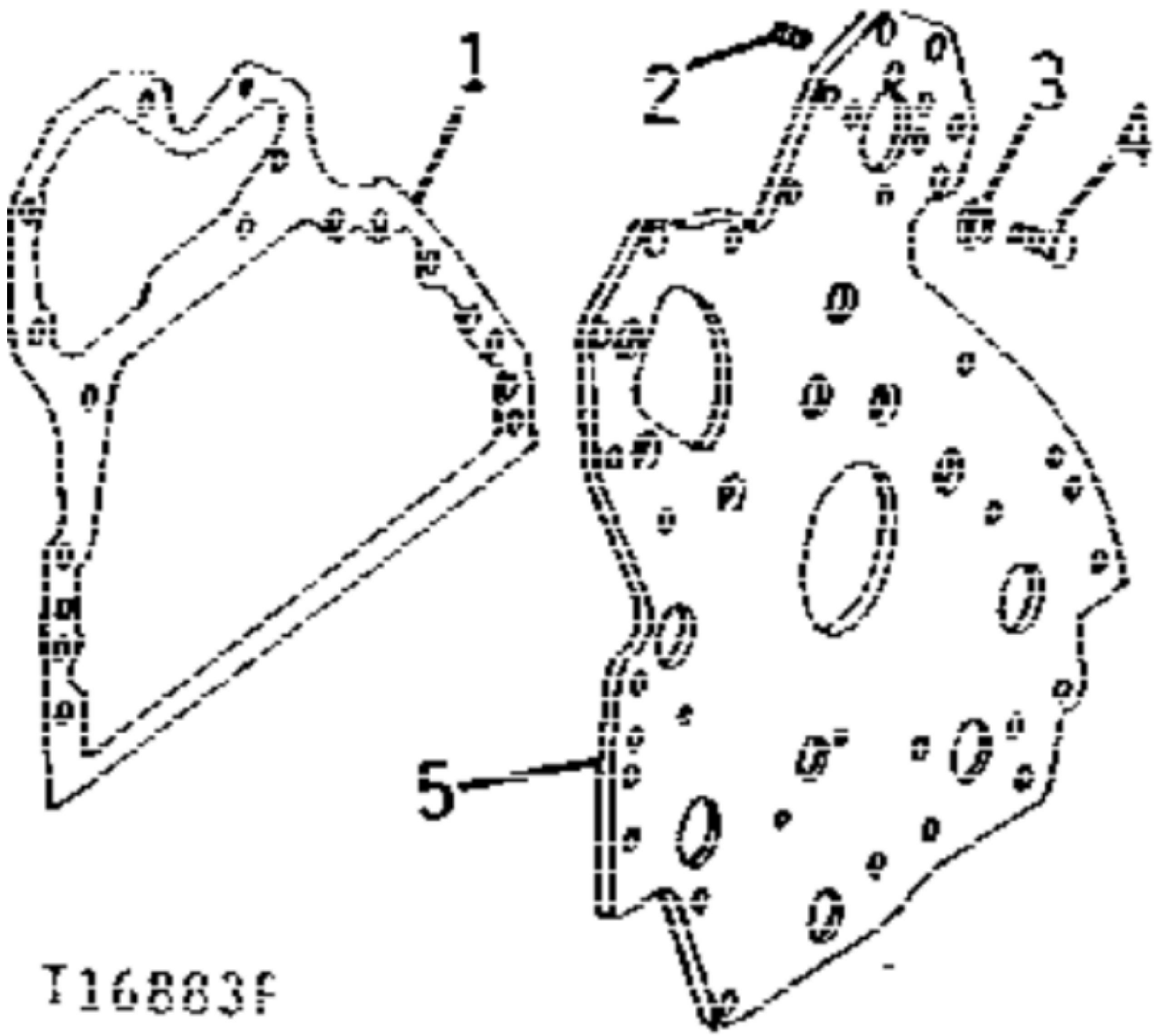
Thank you very much for reading.

Enter the link into your browser.

The full manual is available for immediate download.

<https://www.ebooklibonline.com>

KEY	PART NO.	PART NAME	QTY	REMARKS	
..	RE19842	SHORT BLOCK ASSEMBLY	1	WITH CYLINDER BLOCK ASSEMBLY, CRANKSHAFT, CAMSHAFT, PISTONS, CONNECTING RODS, CYLINDER LINERS, FRONT PLATE SET SCREWS, TAPPETS, BYPASS VALVE AND BYPASS SPRING AND, (SUB FOR AR97031) (ALSO ORDER RE55343, R113472 AND R81515) MISCELLANEOUS PARTS	



T16883F

KEY	PART NO.	PART NAME	QTY	REMARKS	
1	R131794	GASKET	1	(SUB FOR T24965 AND R73140, THIS APPLICATION) (SUB FOR R90648)	
2	AT21191	SET SCREW	AR	(DIESEL)	
2	AT22919	SET SCREW	2	(DIESEL)	
3	12H324	WASHER	5	3/8"	
4	T20166	SCREW	5	3/8" X 7/8"	
5	RE16149	PLATE	1	(DIESEL) (ALSO ORDER (8) AT21191 AND (2) AT22919) (SUB FOR T20295 AND R56736)	
5	R56737	PLATE	1	(GASOLINE) (SUB FOR T20024)	



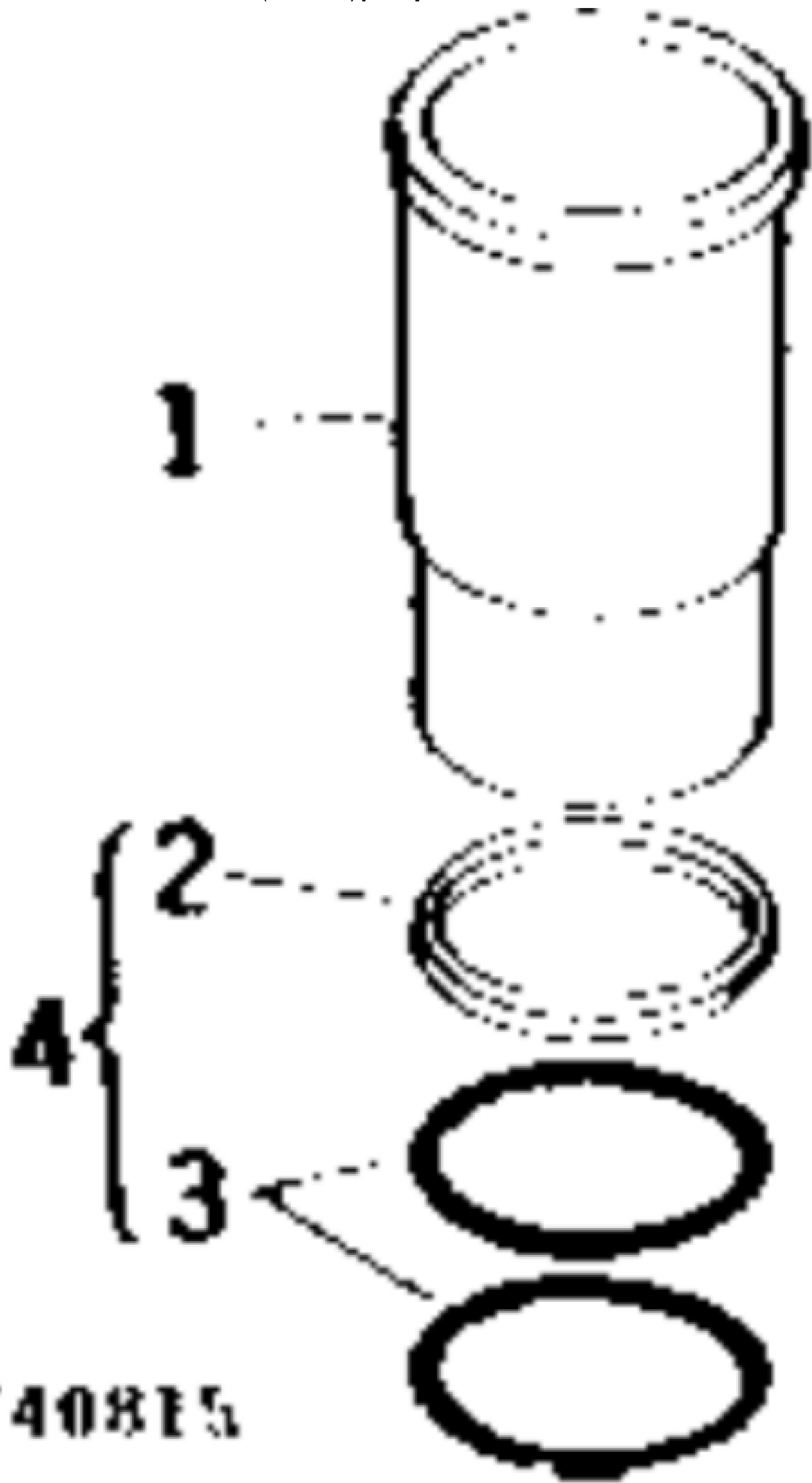
Suggest:

For more complete manuals. Please go to the home page.

<https://www.ebooklibonline.com>

If the above button click is invalid. Please download this document first, and then click the above link to download the complete manual.

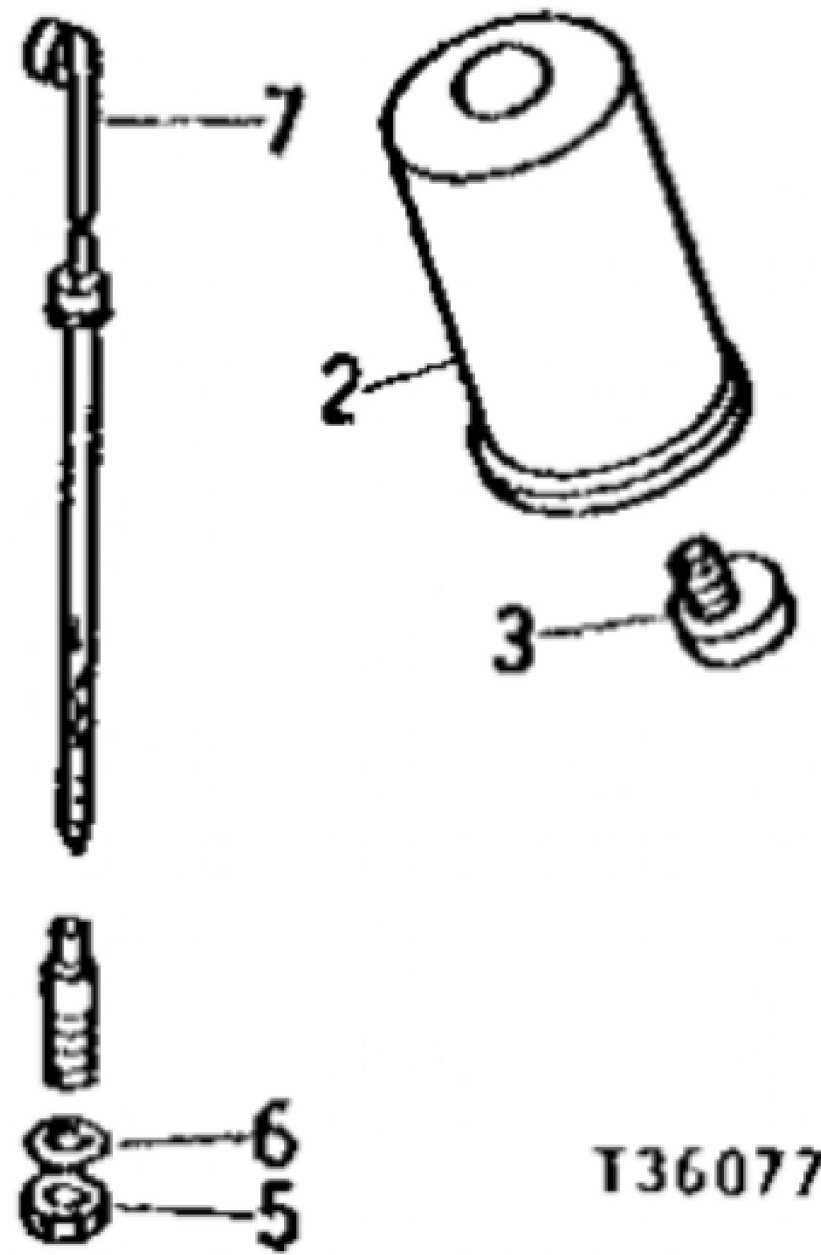
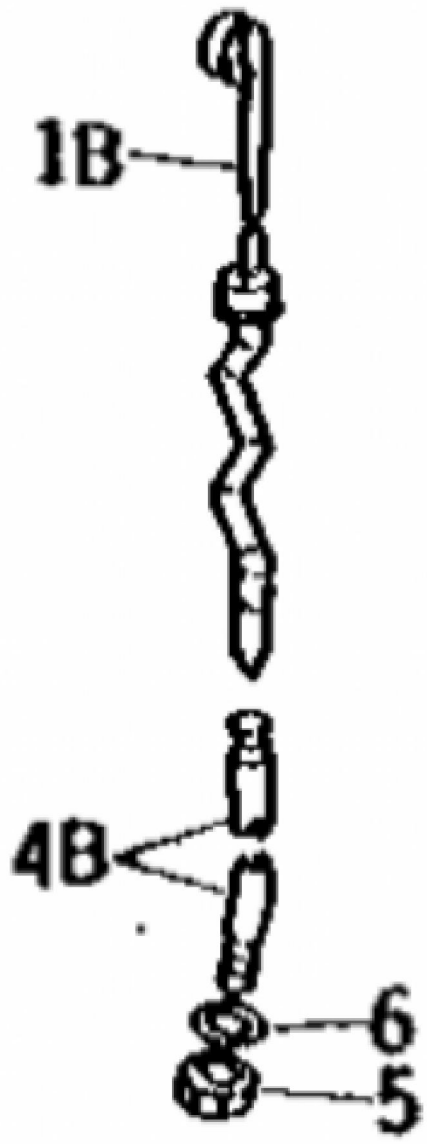
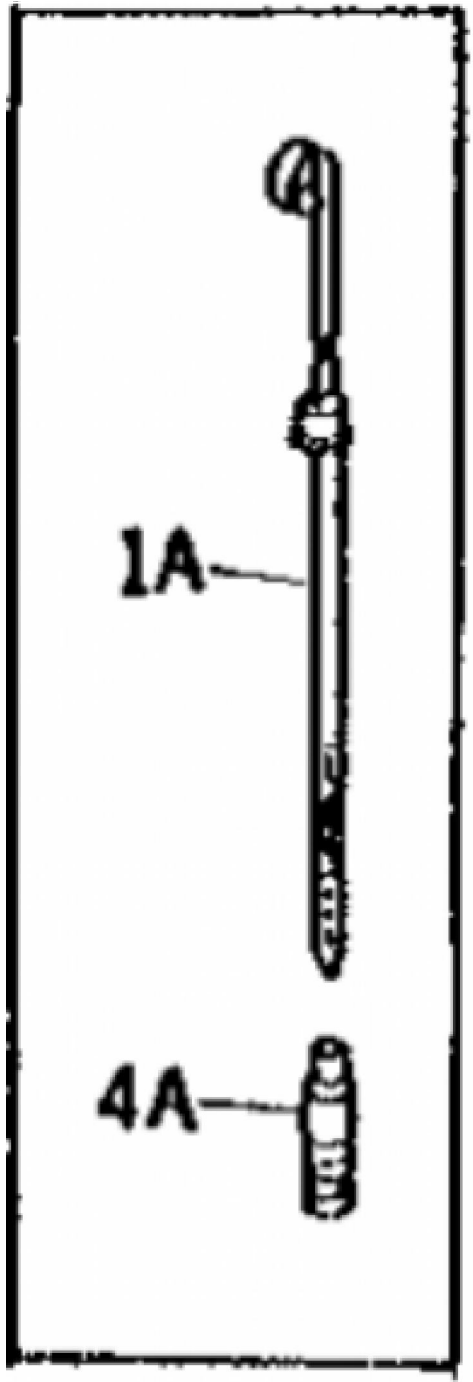
Thank you so much for reading



T40815

[01A22]

KEY	PART NO.	PART NAME	QTY	Serial No.	REMARKS	
1	T32340	CYLINDER LINER	3		(DIESEL)	
1	T32350	CYLINDER LINER	3		(GASOLINE)	
2	R48767	PACKING	3			
3	AR54747	KIT	3	____-171193	O-RING (INCLUDES TWO PACKINGS) (SUB AR71617) (SUB FOR AT31609)	
3	AR65070	KIT	3	171194-____	O-RING (INCLUDES TWO PACKINGS) (SUB AR71617)	
4	AR71617	KIT	3		O-RING CYLINDER LINER	
..	AR54749	LUBRICANT	1		(USED FOR CYLINDER LINER PACKING INSTALLATION)	



T36077

<https://www.ebooklibonline.com>

Hello dear friend!

Thank you very much for reading.

Enter the link into your browser.

The full manual is available for immediate download.

<https://www.ebooklibonline.com>