

RG26768

## ROCKER ARM COVER

KEY	PART NO.	PART NAME	QTY	REMARKS	
1	TY22450	BULK HOSE	AR		
2	AR100124	SCREW WITH WASHER	8		
3	TY22467	CLAMP	1		
4	T20294	CAP	1		
5	T20328	GASKET	1		
6	AR93173	COVER	1		
7	R49866	GASKET	1		
..	PM37532	ADHESIVE	1	(SUB FOR TY24446)	

**<https://www.ebooklibonline.com>**

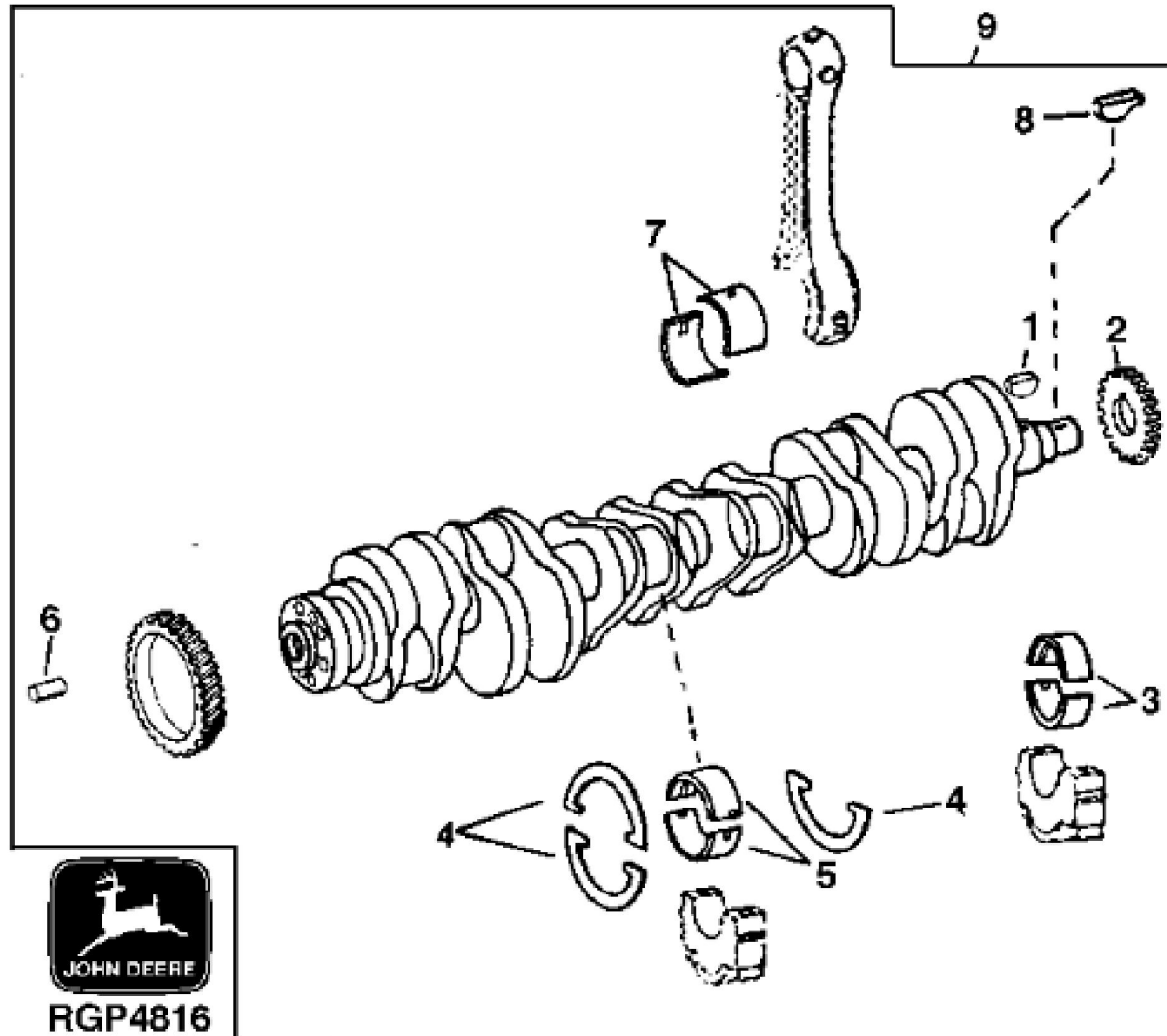
Hello dear friend!

Thank you very much for reading.

Enter the link into your browser.

The full manual is available for immediate download.

**<https://www.ebooklibonline.com>**



## UNDERSIZE CONNECTING ROD JOURNAL CRANKSHAFT AND BEARING KIT

KEY	PART NO.	PART NAME	QTY	REMARKS	
1	R120752	KEY	1		
2	R104587	GEAR	1		
3	RE57170	BEARING	6	STD	
4	RE61253	THRUST WASHER	1	STD	
5	RE57175	THRUST BEARING	1	STD	
6	R41934	DOWEL PIN	1		
7	RE57167	BEARING	6	.292 MM (.011") US	
8	R116311	KEY	1		
9	RE61267	CRANKSHAFT	1	.292 MM (.011") US, (MARKED RE58780 OR R122653)	



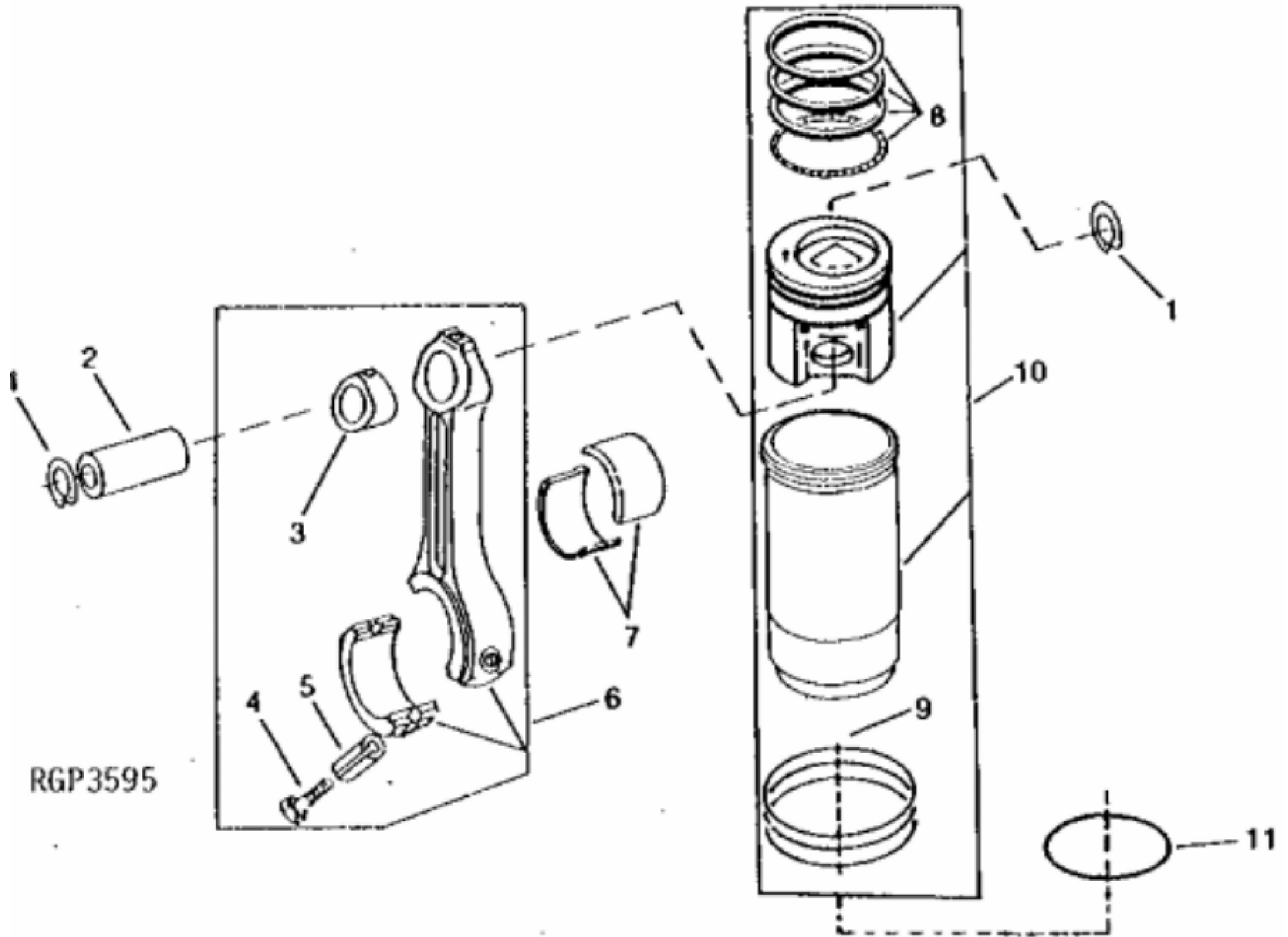
**Suggest:**

**For more complete manuals. Please go to the home page.**

**<https://www.ebooklibonline.com>**

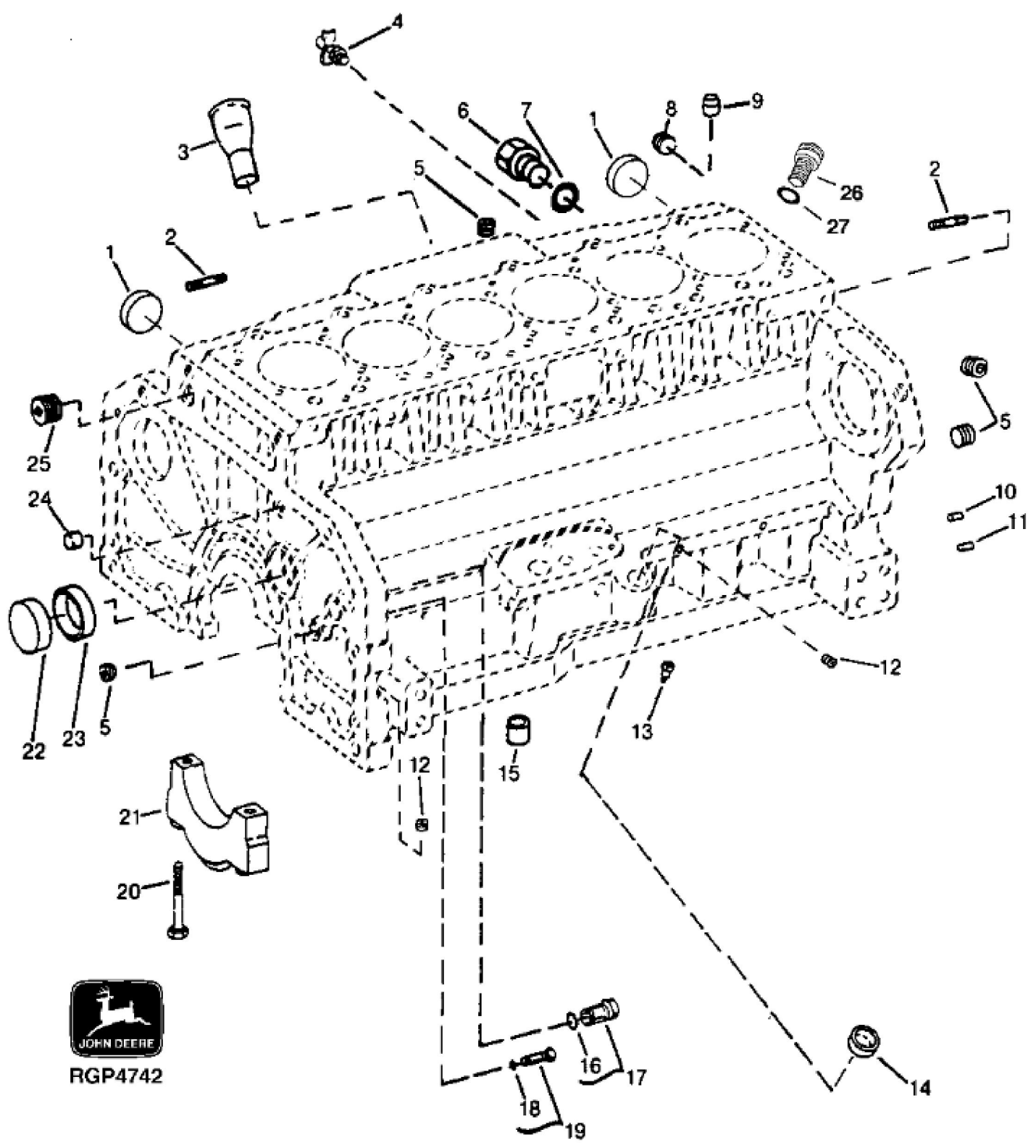
**If the above button click is invalid. Please download this document first, and then click the above link to download the complete manual.**

**Thank you so much for reading**



PISTON, CONNECTING ROD, CYLINDER LINER

KEY	PART NO.	PART NAME	QTY	REMARKS
1	E1343FN	SNAP RING	12	
2	R57771	PISTON PIN	6	
3	R74008	BUSHING	6	
4	R66452	CAP SCREW	12	
5	R53292	SLEEVE	12	
6	RE53154	CONNECTING ROD	6	
6	SE500501	CONNECTING ROD REMAN	6	(MARKED R116340) (REMAN FOR RE53154)
7	R116081	BEARING	6	STD PKG (2)
7	RE57167	BEARING	AR	0.292MM (.011"), US (PKG OF 2)
8	RE57188	PISTON RING	6	
9	AR98850	O-RING KIT	6	
10	RE64509	PISTON-LINER KIT	6	(MARKED RE53000, RE64170 OR RE65289)
11	R93948	SHIM	2	0.05MM (.002") (MAX)



**<https://www.ebooklibonline.com>**

Hello dear friend!

Thank you very much for reading.

Enter the link into your browser.

The full manual is available for immediate download.

**<https://www.ebooklibonline.com>**