

## CYLINDER BLOCK

KEY	PART NO.	PART NAME	QTY	REMARKS	
1	.....	CYLINDER BLOCK	1	NSEP (Marked R522413)	
2	34M7247	SPRING PIN	2	11 X 16 mm	
3	RE71255	PIPE PLUG	27	1/8"-27NPT, (Sub For RE42713 OR R104592)	
4	R48685	DOWEL PIN	2		
5	R504965	PLUG	1		
6	15H685	PIPE PLUG	1	1/4"	
7	R116466	PLUG	7		
8	R502725	PLUG	1	(Dipstick Tube)	
9	R515003	SCREW	12	M10 X 100	
10	R505135	ORIFICE	5		
11	T18891	PLUG	1	OD = 16MM	
12	RE518215	BALL BEARING	1		
13	R523409	SPUR GEAR	1		
14	R522976	WHEEL	1		
15	R515112	SHIM	1		
16	R516770	WASHER	1		
17	L157372	SCREW	2	M6 X 16	
18	R517240	SCREW	1		
19	19M7923	CAP SCREW	4	M6 X 12	
20	.....	CAMSHAFT	1	(Marked R528331)	
21	R504808	BUSHING	5		

**<https://www.ebooklibonline.com>**

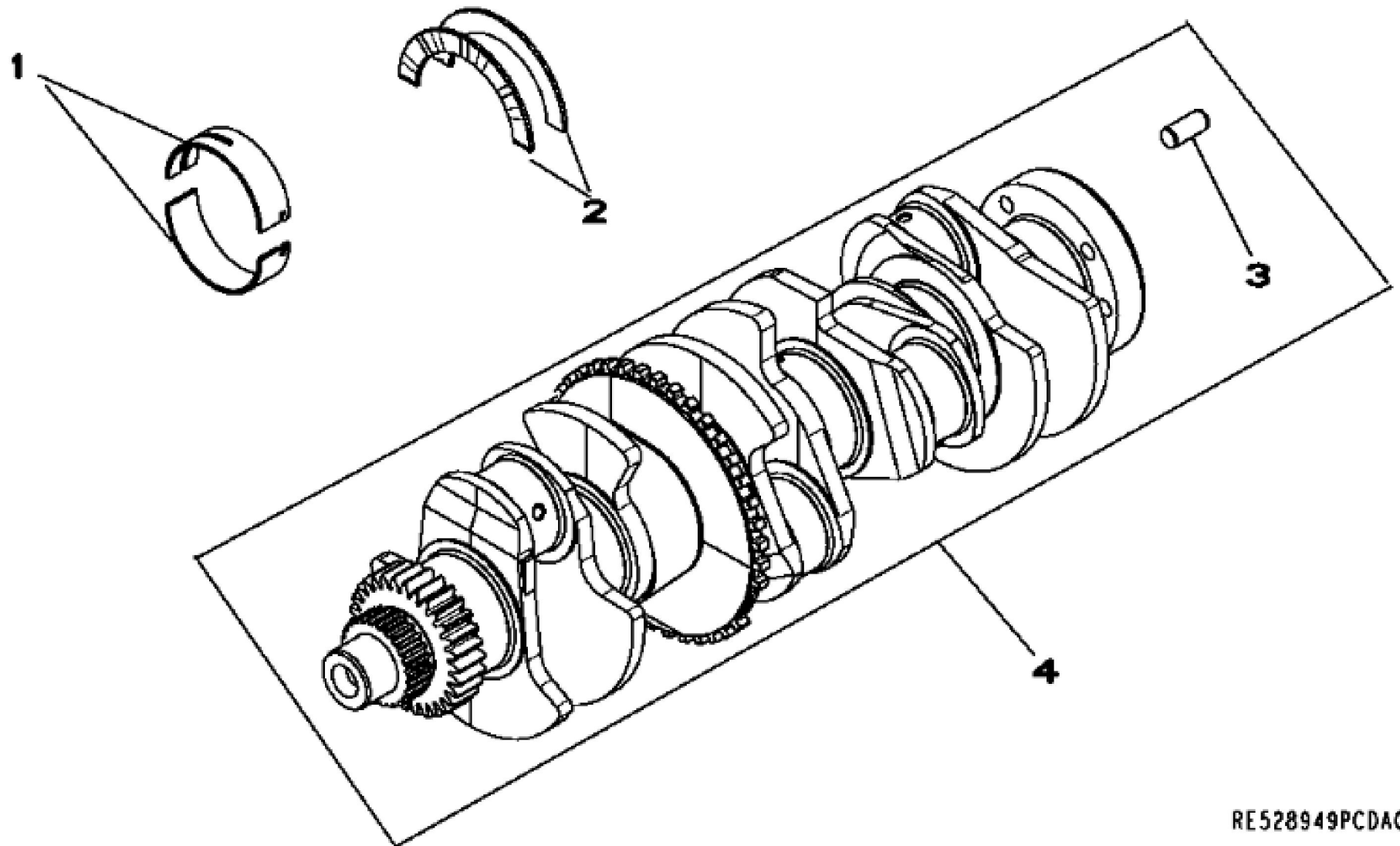
Hello dear friend!

Thank you very much for reading.

Enter the link into your browser.

The full manual is available for immediate download.

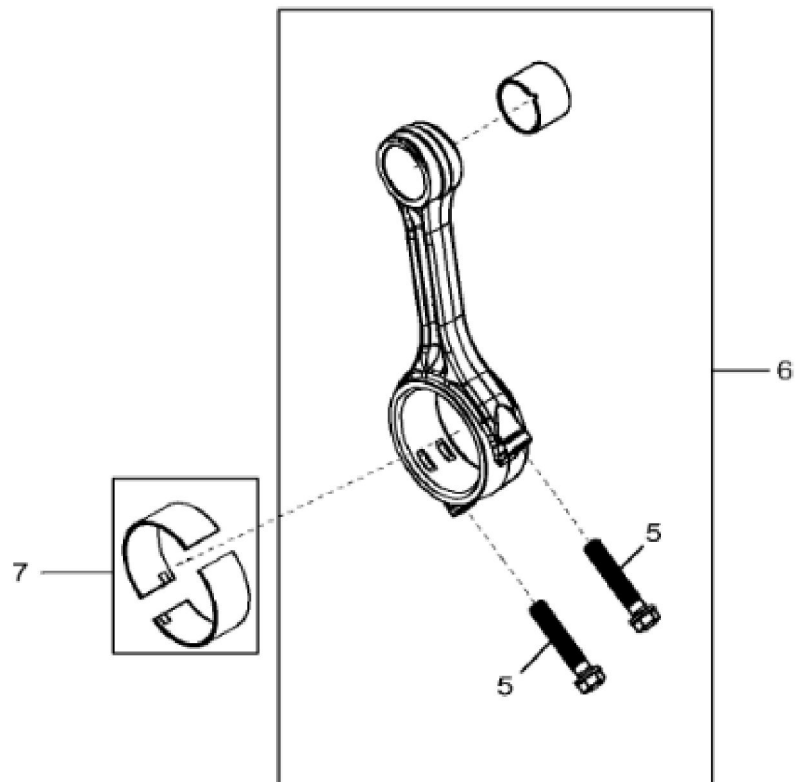
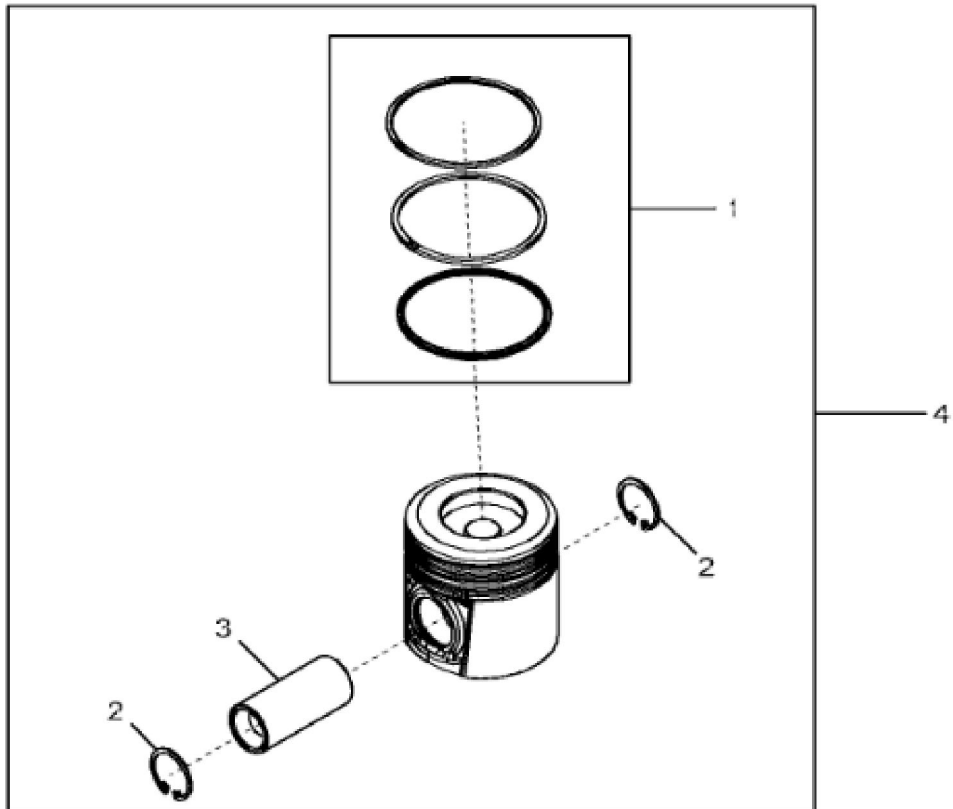
**<https://www.ebooklibonline.com>**



RE528949PCDA01

## CRANKSHAFT / BEARINGS

KEY	PART NO.	PART NAME	QTY	REMARKS	
1	RE520626	BEARING KIT	5	STD	
2	RE520627	BEARING KIT	2		
3	R48685	DOWEL PIN	1		
4	RE527591	CRANKSHAFT	1		
4	SE502111	CRANKSHAFT REMAN	1	(With Bearings) (Reman For RE527591)	





**Suggest:**

**For more complete manuals. Please go to the home page.**

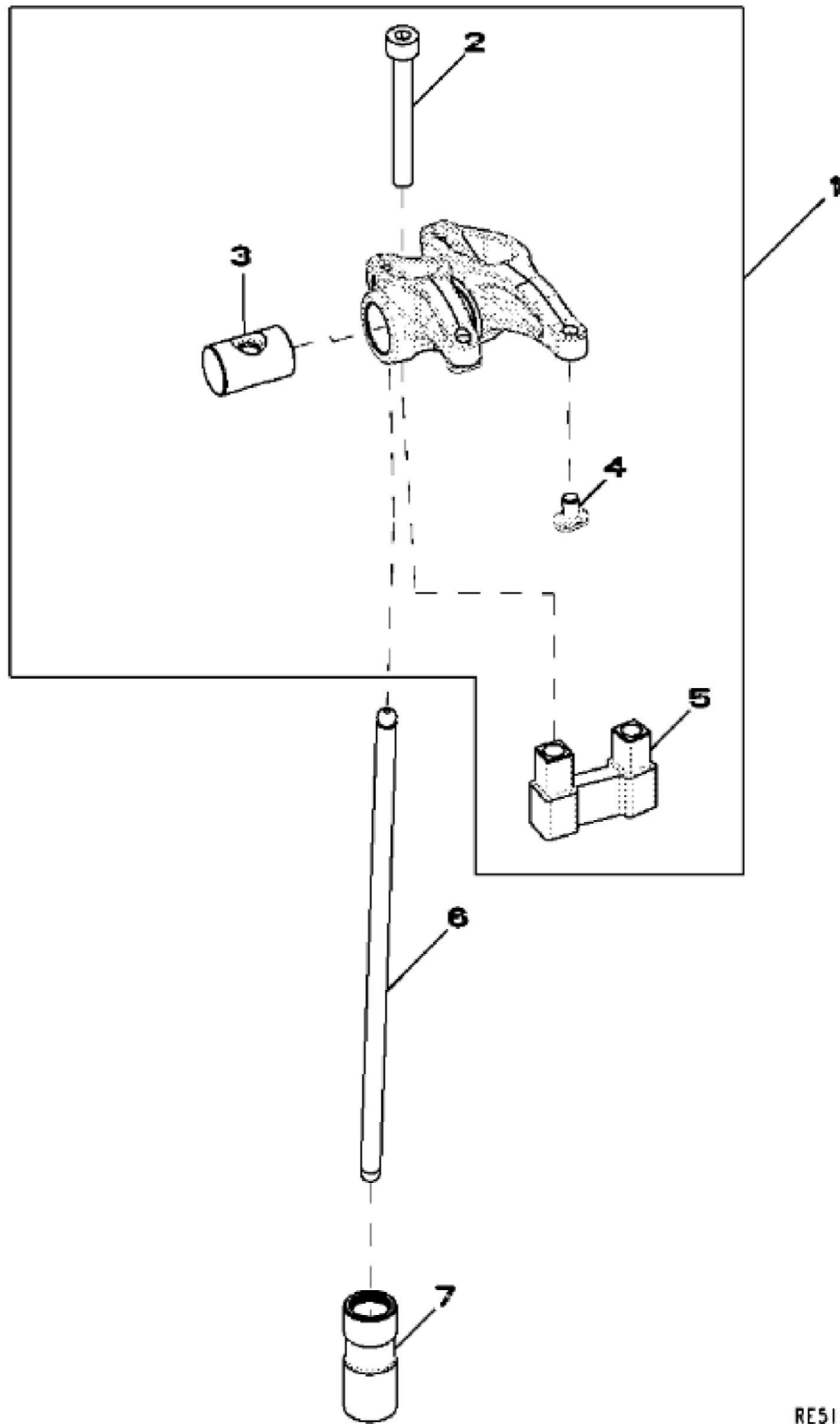
**<https://www.ebooklibonline.com>**

**If the above button click is invalid. Please download this document first, and then click the above link to download the complete manual.**

**Thank you so much for reading**

CONNECTING RODS AND PISTONS

KEY	PART NO.	PART NAME	QTY	REMARKS
1	R515084	PISTON RING	5	STD
2	40M1855	SNAP RING	10	
3	R503480	PISTON PIN	5	OD = 30MM
4	.....	PISTON	5	STD (MARKED RE527622)
5	R502503	SCREW	2	M10 X 49
6	RE544411	CONNECTING ROD	5	(SUB FOR RE504544)
6	RE504544	CONNECTING ROD	1	(SUB RE544411)
6	SE501898	CONNECTING ROD REMAN	1	(REMAN FOR RE504544)
7	RE520937	BEARING KIT	10	STD; SUB FORR522089



RES18812PCDH02

**<https://www.ebooklibonline.com>**

Hello dear friend!

Thank you very much for reading.

Enter the link into your browser.

The full manual is available for immediate download.

**<https://www.ebooklibonline.com>**