

CDP45307

John Deere > Turf And Utility > LOADER, FOUR-WHEEL DRIVE > 4045TF273 - LOADER, FOUR-WHEEL DRIVE > 324H and 344H Loaders > 04A 4045DF153 - 324H LOADER TIER 1 ENGINE 4045DF153 > 0400A 4045DF153 - 324H LOADER TIER 1 ENGINE 4045DF153 4045DF153 > ST403178 - FRONT PLATE AND UPPER IDLE GEAR

KEY	PART NO.	PART NAME	QTY	REMARKS
1	DD15664	SEALANT	1	
2	R134526	PLATE	1	
3	R116386	STUD	3	M10 X LGTH 60MM
4	R136475	SCREW	4	
5	R134518	STUD	2	LGTH 68MM
6	R123174	LOCK WASHER	1	
7	R120641	SHAFT	1	
8	RE508932	GEAR	1	(SUB FOR RE56313) (MARKED R505121)
9	R131206	THRUST WASHER	1	
10	34H288	SPRING PIN	1	3/16" X 1-3/4"
11	19M7808	SCREW	1	M10 X 65
12	R114194	SHAFT	1	
13	R101225	THRUST WASHER	1	
14	R123584	STUD	4	LGTH 78MM

<https://www.ebooklibonline.com>

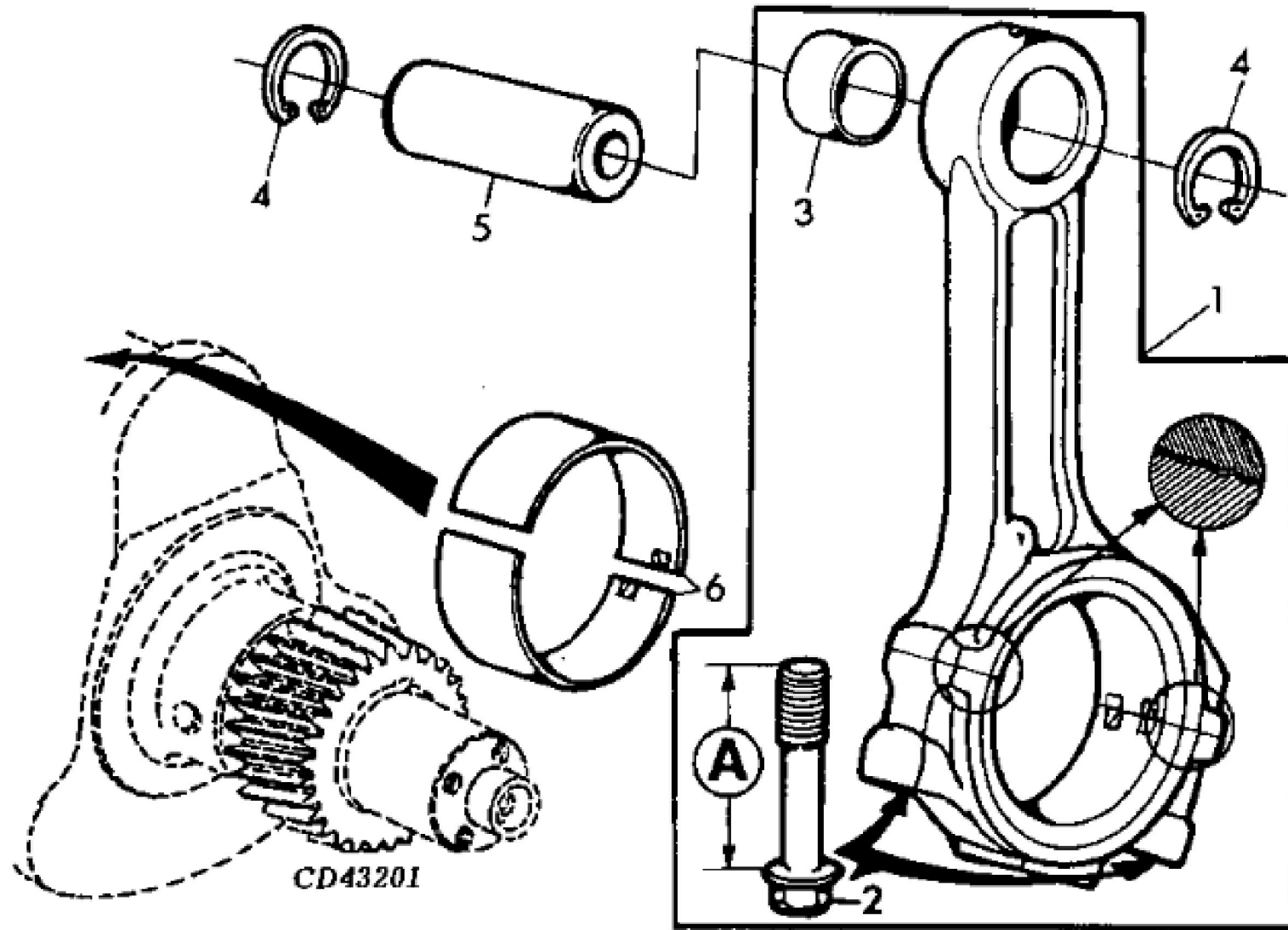
Hello dear friend!

Thank you very much for reading.

Enter the link into your browser.

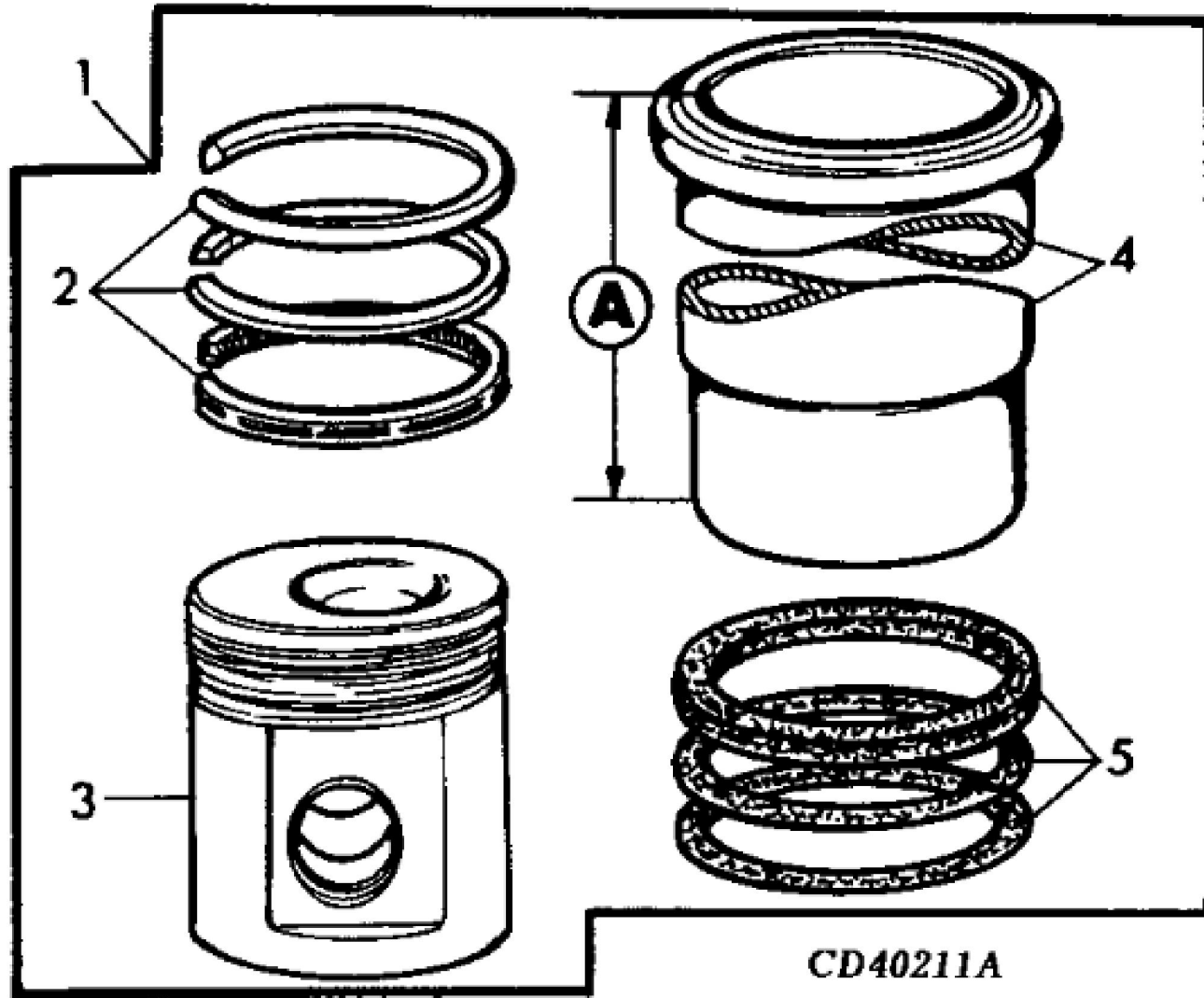
The full manual is available for immediate download.

<https://www.ebooklibonline.com>



John Deere > Turf And Utility > LOADER, FOUR-WHEEL DRIVE > 4045TF273 - LOADER, FOUR-WHEEL DRIVE > 324H and 344H Loaders > 04A 4045DF153 - 324H LOADER TIER 1 ENGINE 4045DF153 > 0400A 4045DF153 - 324H LOADER TIER 1 ENGINE 4045DF153 4045DF153 > ST403179 - CONNECTING ROD / BEARINGS

KEY	PART NO.	PART NAME	QTY	REMARKS
1	RE500002	CONNECTING ROD	4	(MARKED R500000)
1	SE501096	CONNECTING ROD REMAN	4	(REMAN FOR RE500002)
2	R501124	SCREW	2	A= 61MM
3	R123960	BUSHING	1	
4	M41029	SNAP RING	8	
5	R123178	PISTON PIN	4	OD 35MM , LGTH 72MM
6	RE65908	BEARING	4	(MARKED (2) R113698)STD
6	RE65909	BEARING	AR	(GRINDING GUIDELINES : SEE CTM104) US -0.254MM, (MARKED (2) R130578)



CD40211A



Suggest:

For more complete manuals. Please go to the home page.

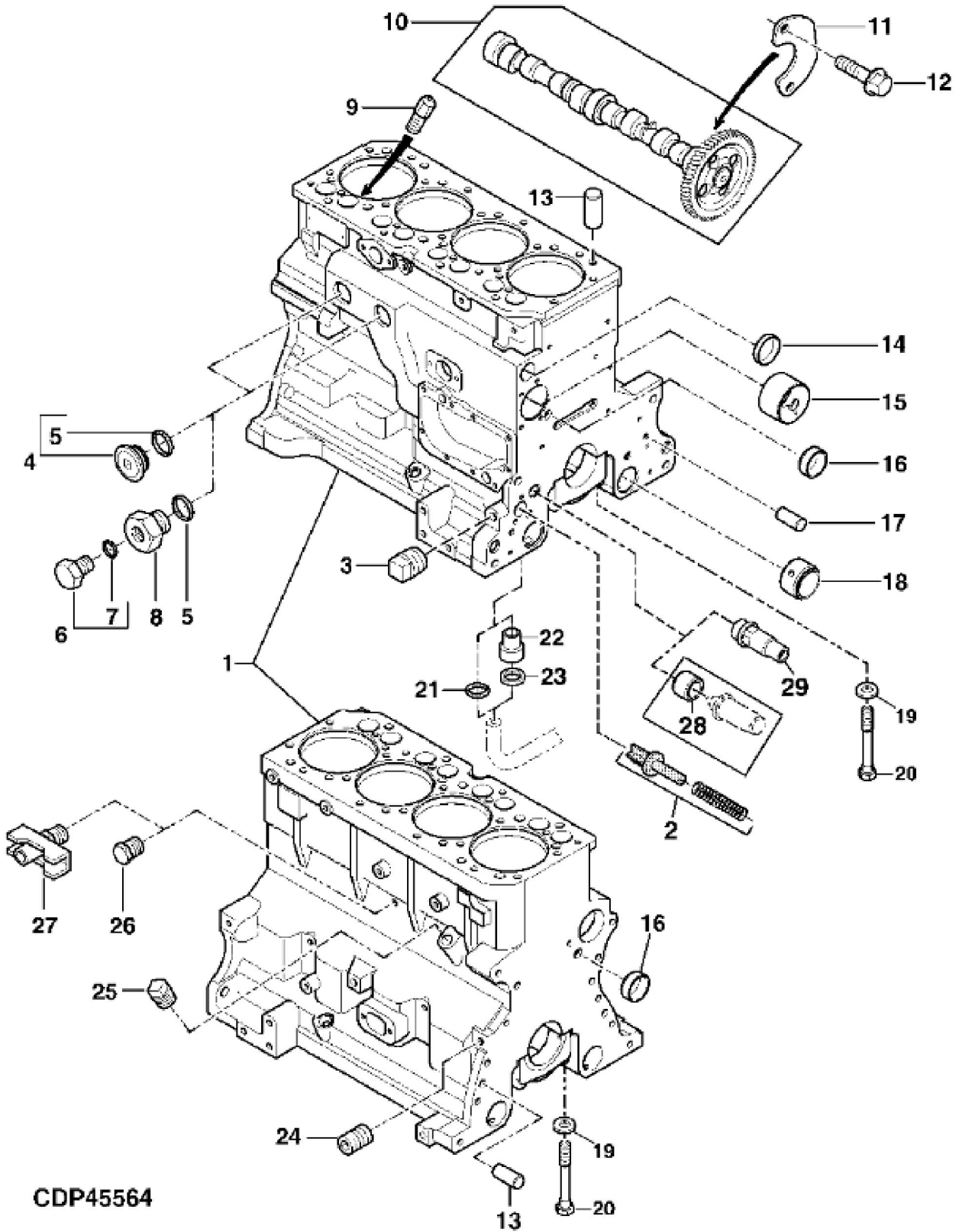
<https://www.ebooklibonline.com>

If the above button click is invalid. Please download this document first, and then click the above link to download the complete manual.

Thank you so much for reading

John Deere > Turf And Utility > LOADER, FOUR-WHEEL DRIVE > 4045TF273 - LOADER, FOUR-WHEEL DRIVE > 324H and 344H Loaders > 04A 4045DF153 - 324H LOADER TIER 1 ENGINE 4045DF153 > 0400A 4045DF153 - 324H LOADER TIER 1 ENGINE 4045DF153 4045DF153 > ST403180 - PISTON / LINER - KIT

KEY	PART NO.	PART NAME	QTY	REMARKS
1	RE520835	PISTON-LINER KIT	4	(SUB FOR RE505110)
2	RE66271	PISTON RING KIT	1	PKG (3)
3	PISTON	1	(MARKED RE505101) (ORDER RE520835) NSEP
4	CYLINDER LINER	1	A = 218MM, NSEP, (ORDER RE520835)
5	AR65507	O-RING KIT	1	PKG (3)



<https://www.ebooklibonline.com>

Hello dear friend!

Thank you very much for reading.

Enter the link into your browser.

The full manual is available for immediate download.

<https://www.ebooklibonline.com>