

KEY	PART NO.	PART NAME	QTY	REMARKS
1	.....	CYLINDER BLOCK	1	(Order Short Block Assembly) MARKED R534123
2	RE539116	FITTING	4	
3	51M7047	O-RING	1	23.600 X 2.900 mm
4	RE508185	FITTING	1	
5	U13639	O-RING	1	
6	RE539114	FITTING	5	
7	51M7041	O-RING	1	11.300 X 2.200 mm
8	RE539115	FITTING	3	
9	51M7043	O-RING	1	15.300 X 2.200 mm
10	15H695	PIPE PLUG	1	3/8"
11	R525706	CAP SCREW	14	
12	B153R	DOWEL PIN	2	
13	R121043	VALVE	1	(By Pass)
14	R111137	SPRING	1	
15	R26493	BUSHING	1	(Refer key 23 For More Information) ORDER DZ109926
16	D2361R	BALL	1	
17	R116466	PLUG	1	
18	T18891	PLUG	2	
19	R119874	BUSHING	1	
20	A120R	DOWEL PIN	4	
21	30M7024	PLUG	1	
22	15H685	PIPE PLUG	1	1/4"
23	DZ109926	BUSHING	1	USE WITH DZ109927 PRV, DZ106855 SPRING AND DZ109925 FITTING PLUG; ALSO ORDER A4827R SEALING WASHER

**<https://www.ebooklibonline.com>**

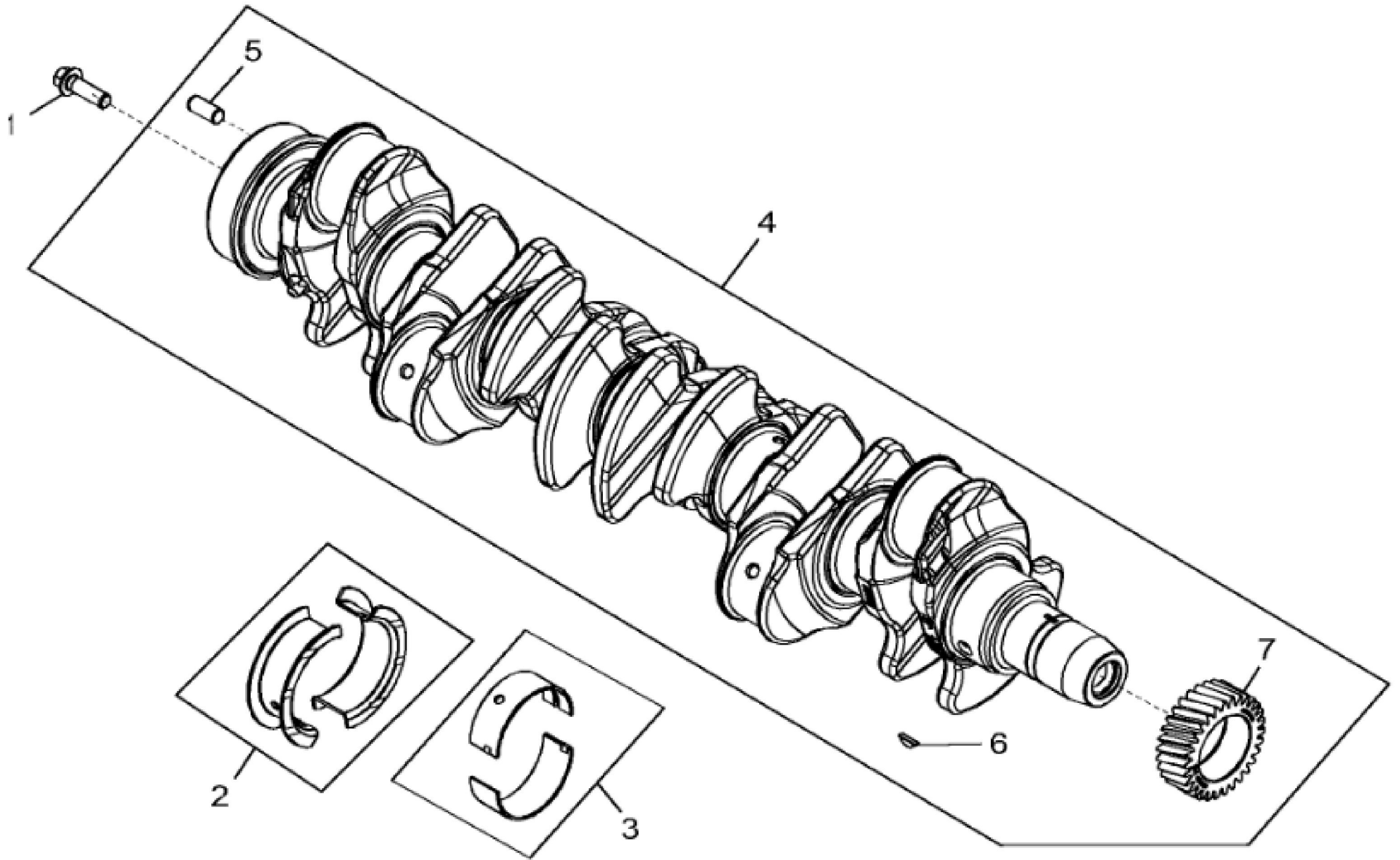
Hello dear friend!

Thank you very much for reading.

Enter the link into your browser.

The full manual is available for immediate download.

**<https://www.ebooklibonline.com>**



John Deere > Construction And Forestry > EXCAVATOR > 300GLC - EXCAVATOR > 300GLC Excavator (PIN: 1FF300GX\_ F710002- ) > 04A ENGINE 6068HT107-RE557939 > 0400A ENGINE 6068HT107-RE557939 6068HT107 > ST752405 - 4727 CRANKSHAFT AND BEARINGS

KEY	PART NO.	PART NAME	QTY	REMARKS	
1	R135918	BOLT	6		
2	RE65168	BEARING KIT	1	KIT; R123564 AND R123563	
3	RE65165	BEARING KIT	6	KIT; R123562 AND R123561	
4	RE564763	CRANKSHAFT	1		
5	A120R	DOWEL PIN	1		
6	R505609	SHAFT KEY	1		
7	R544000	GEAR	1	Z = 30, MARKED R545199, SUB FOR R120631	



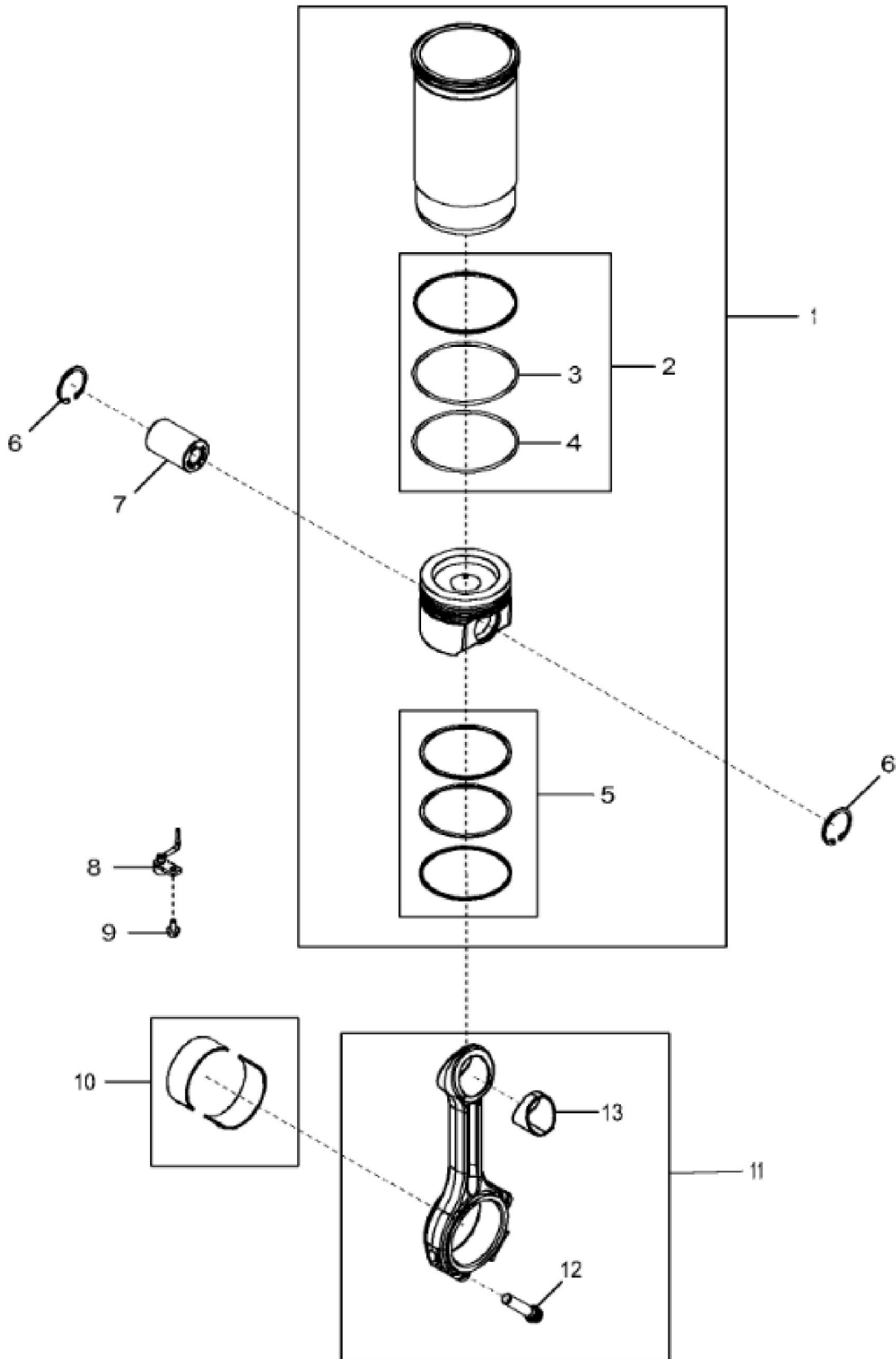
**Suggest:**

**For more complete manuals. Please go to the home page.**

**<https://www.ebooklibonline.com>**

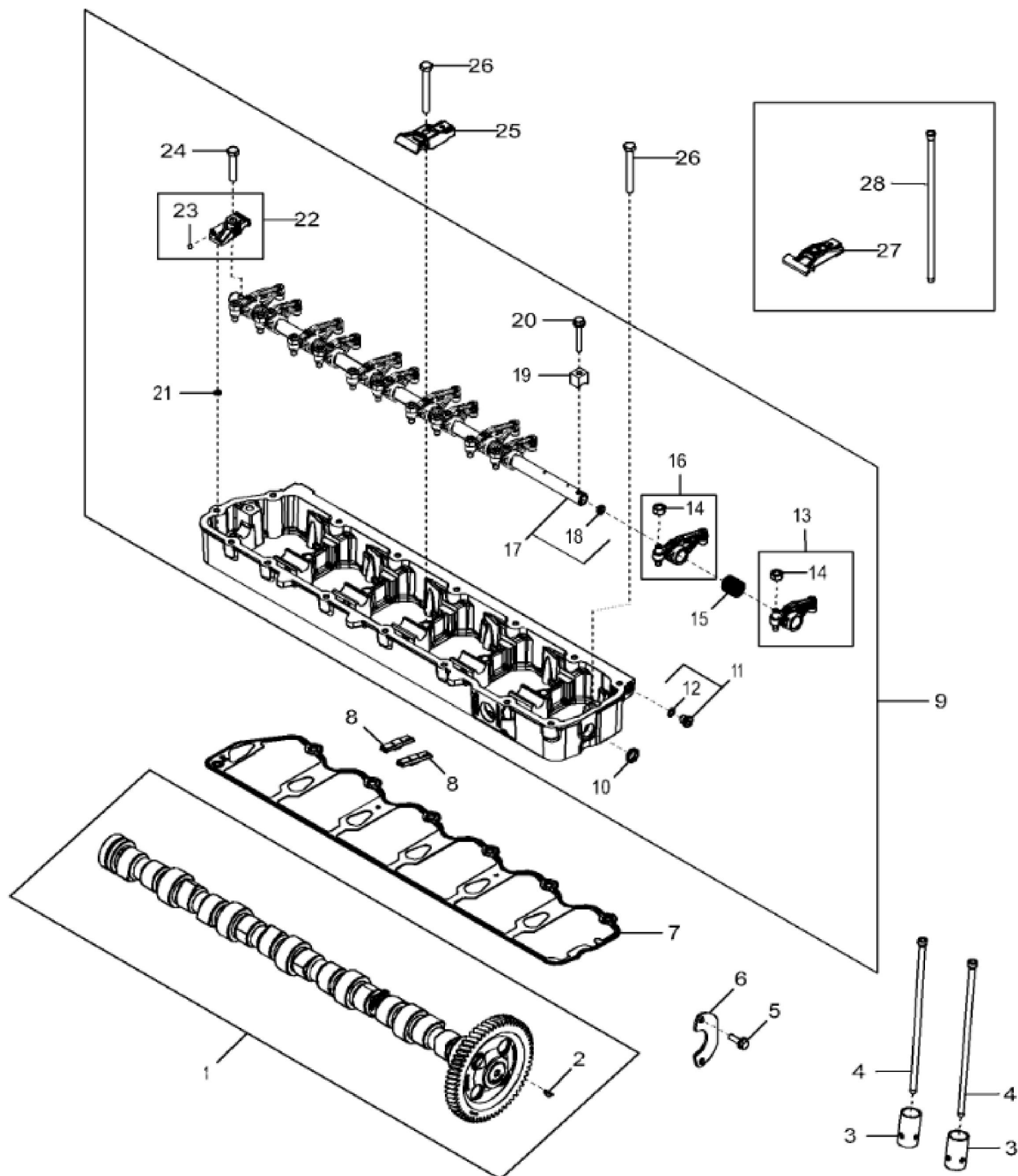
**If the above button click is invalid. Please download this document first, and then click the above link to download the complete manual.**

**Thank you so much for reading**



John Deere > Construction And Forestry > EXCAVATOR > 300GLC - EXCAVATOR > 300GLC Excavator (PIN: 1FF300GX\_ F710002- ) > 04A ENGINE 6068HT107-RE557939 > 0400A ENGINE 6068HT107-RE557939 6068HT107 > ST753735 - 4862 CONNECTING RODS AND PISTONS

KEY	PART NO.	PART NAME	QTY	REMARKS
1	RE561620	PISTON-LINER KIT	6	PISTON MARKED DZ104640
2	RE539558	SEAL KIT	6	
3	R26121	O-RING	6	
4	R55453	O-RING	6	
5	RE561623	PISTON RING KIT	6	
6	R54114	SNAP RING	12	
7	DZ101958	PISTON PIN	6	SUB FOR R533940
8	DZ102270	NOZZLE	6	SUB FOR RE564575
9	R529612	CAP SCREW	6	
10	RE539421	BEARING KIT	6	KIT; (2) R525684
11	DZ10167	CONNECTING ROD	6	MARKED R536740; SUB FOR RE549633
12	R501124	SCREW	12	
13	R114082	BUSHING	6	



**<https://www.ebooklibonline.com>**

Hello dear friend!

Thank you very much for reading.

Enter the link into your browser.

The full manual is available for immediate download.

**<https://www.ebooklibonline.com>**