

TX1128570

John Deere > Construction And Forestry > EXCAVATOR > 85G - EXCAVATOR > 85G Excavator (PIN: 1FF085GX\_ J017001- ) > 04 ENGINE - MISCELLANEOUS ENGINE / COMPLETE ENGINE > 0404 CYLINDER BLOCK > ST744098 - ENGINE BLOCK

KEY	PART NO.	PART NAME	QTY	REMARKS
1	.....	CYLINDER BLOCK	1	MIA882715 NLA
4	M809594	PLUG	1	
5	15H562	PIPE PLUG	1	1", SUB FOR CH18379
6	AT211653	BOLT	10	
9	AT211656	BUSHING	1	
10	30M7023	PLUG	8	SUB FOR CH10642
11	CH18079	SPRING PIN	2	
12	M806938	PLUG	1	
13	M806938	PLUG	1	
14	M806938	PLUG	1	
24	MIA880556	BEARING	2	
27	AT211658	BOLT	18	
28	MIU802832	GASKET	1	
29	MIA880548	BEARING	5	
32	MIA880547	BEARING	5	Undersize
35	MIA880558	BEARING	2	Set Of Two

**<https://www.ebooklibonline.com>**

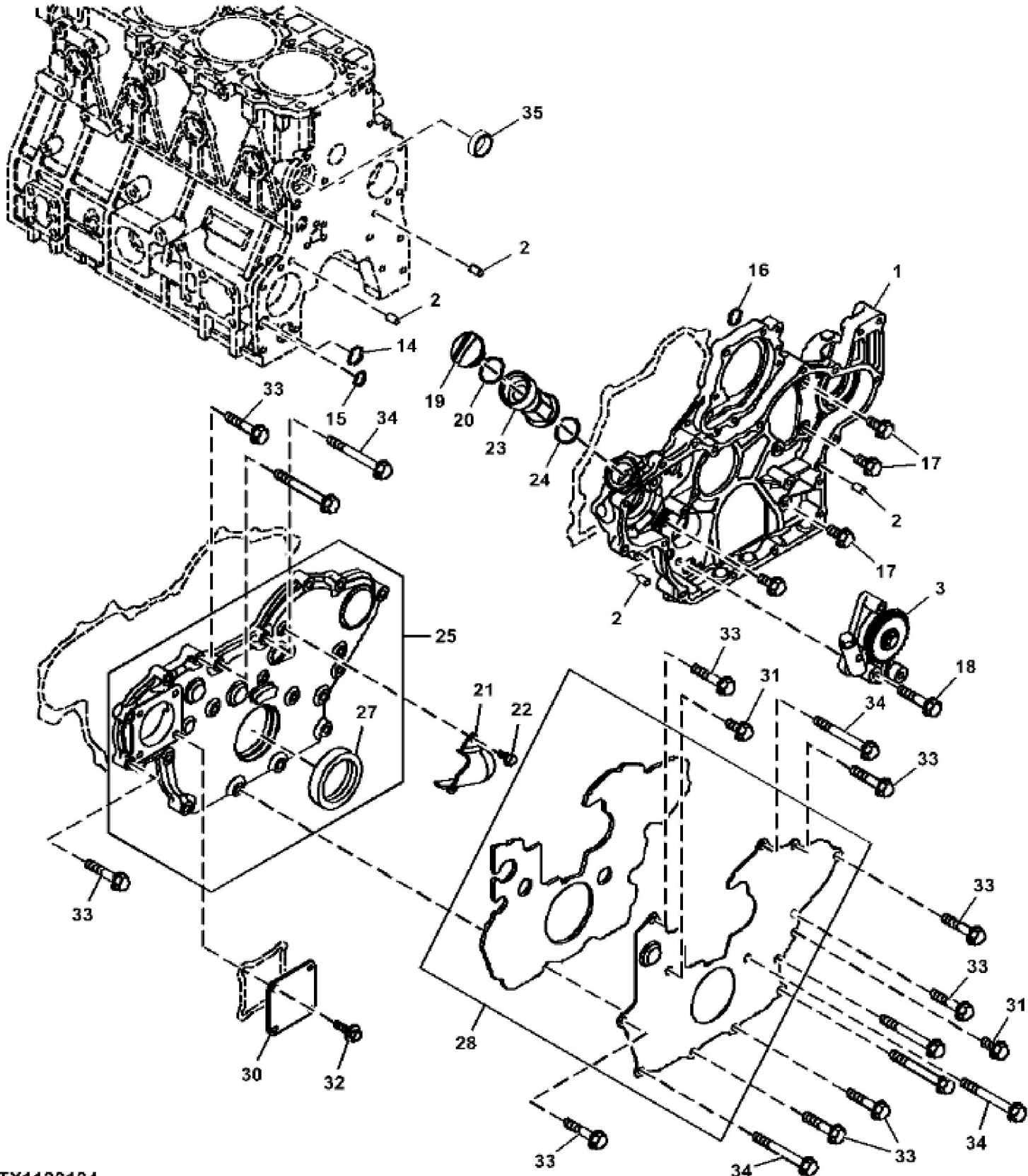
Hello dear friend!

Thank you very much for reading.

Enter the link into your browser.

The full manual is available for immediate download.

**<https://www.ebooklibonline.com>**



TX1199194

John Deere > Construction And Forestry > EXCAVATOR > 85G - EXCAVATOR > 85G Excavator (PIN: 1FF085GX\_ J017001- ) > 04 ENGINE - MISCELLANEOUS ENGINE / COMPLETE ENGINE > 0404 CYLINDER BLOCK > ST744099 - GEAR HOUSING

KEY	PART NO.	PART NAME	QTY	REMARKS
1	MIU802981	GEAR CASE	1	
2	M802255	PIN	4	
3	AT212086	HYDRAULIC PUMP	1	
14	AT211670	O-RING	1	
15	AT211671	O-RING	1	
16	CH10567	PACKING	1	
17	CH18390	BOLT	4	
18	CH19101	BOLT	3	
19	M805710	CAP	1	
20	M805711	PACKING	1	
21	.....	COVER	1	NLA
22	M87819	BOLT	2	
23	M800990	EXTENSION	1	
24	M805711	PACKING	1	
25	MIA882716	COVER	1	
27	MIU801096	SEAL	1	
28	.....	COVER	1	NLA
30	CH18096	COVER	1	
31	CH18390	BOLT	2	
32	CH18390	BOLT	4	
33	M89128	BOLT	10	
34	19M7803	SCREW	7	M8 X 70
35	MIU803966	GASKET	1	



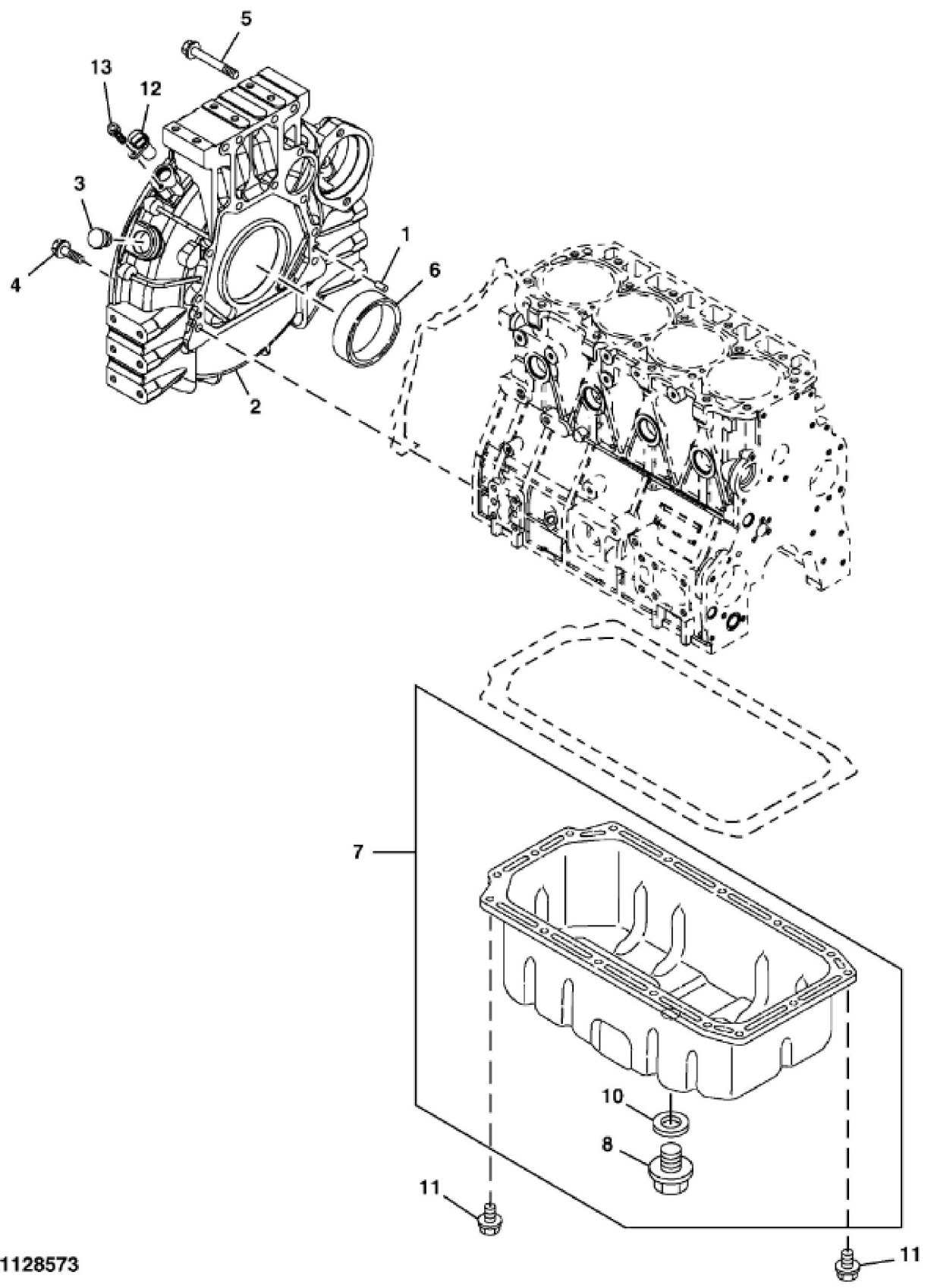
**Suggest:**

**For more complete manuals. Please go to the home page.**

**<https://www.ebooklibonline.com>**

**If the above button click is invalid. Please download this document first, and then click the above link to download the complete manual.**

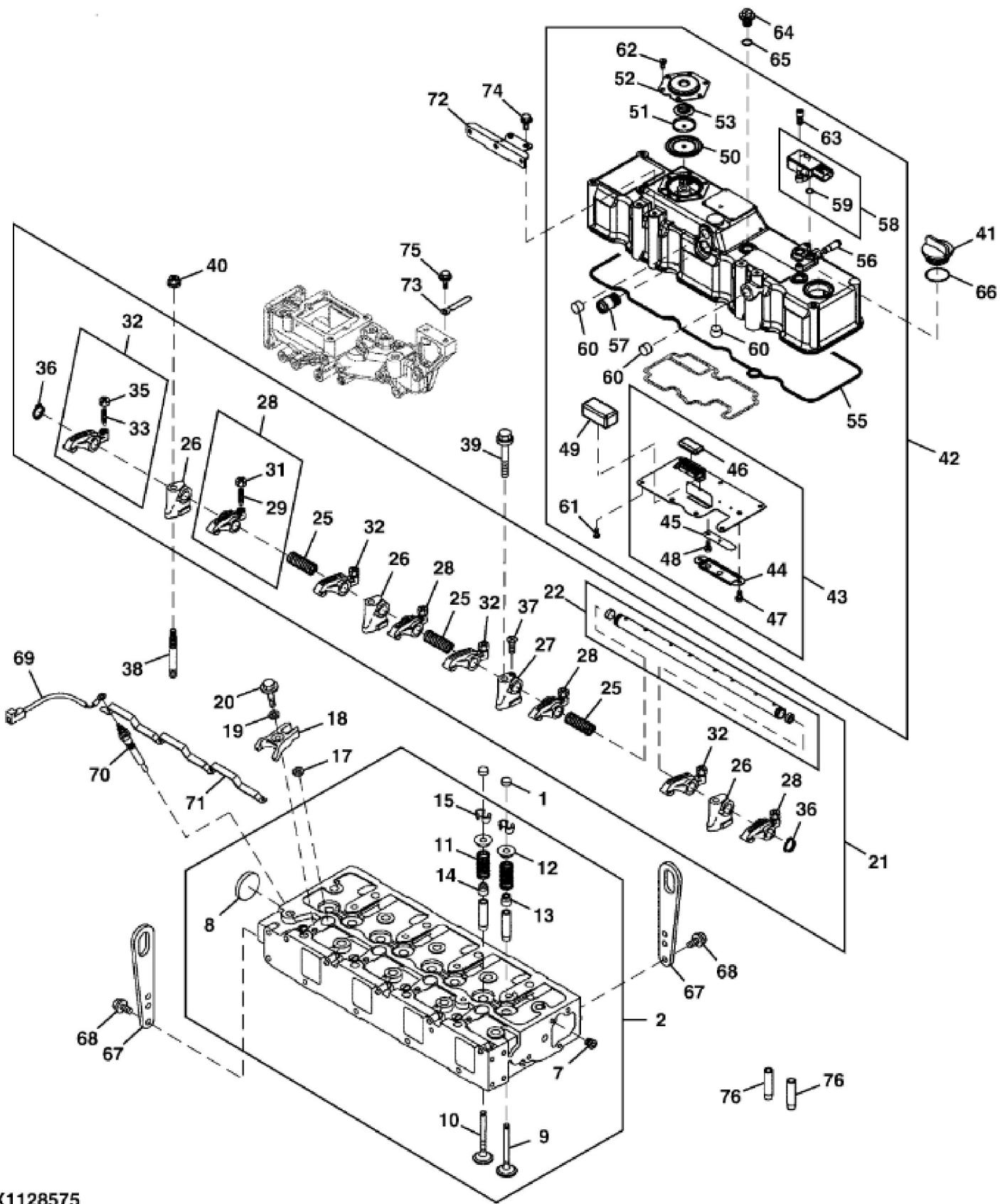
**Thank you so much for reading**



TX1128573

John Deere > Construction And Forestry > EXCAVATOR > 85G - EXCAVATOR > 85G Excavator (PIN: 1FF085GX\_ J017001- ) > 04 ENGINE - MISCELLANEOUS ENGINE / COMPLETE ENGINE > 0404 CYLINDER BLOCK > ST744100 - FLYWHEEL HOUSING AND OIL SUMP

KEY	PART NO.	PART NAME	QTY	REMARKS
1	M802255	PIN	2	
2	MIU802972	FLYWHEEL	1	
3	M88659	PLUG	1	
4	AT211675	CAP SCREW	9	
5	MIU802452	BOLT	4	
6	MIU801095	SEAL	1	
7	MIA881103	RESERVOIR	1	
8	M806544	DRAIN PLUG	1	
10	M806545	WASHER	1	
11	CH19137	BOLT	16	
12	MIU802138	SENSOR	1	Flywheel
13	M800695	BOLT	1	



TX1128575

**<https://www.ebooklibonline.com>**

Hello dear friend!

Thank you very much for reading.

Enter the link into your browser.

The full manual is available for immediate download.

**<https://www.ebooklibonline.com>**