

KEY	PART NO.	PART NAME	QTY	REMARKS
1	8980894850	CYLINDER BLOCK	1	
3	8973517040	SEAL	1	
5	8942298530	PLUG	4	
6	8972096090	SEAL	1	
7	9096640010	FITTING PLUG	1	1/4 in.
8	8941674701	BOLT	10	
10	8973034112	GEAR CASE	1	Components On Separate Page, SUB FOR 8973034111
13	0410108600	STUD	1	M8 X 60, 72 mm
13	8972621461	STUD	1	M8 X 50, 62 mm
15	1096050190	PIPE PLUG	1	1/4 in.
16	9092045100	PLUG	1	
17	9095714160	GASKET	1	
22	8971757031	VALVE	1	SUB FOR 8971757030
23	8972621461	STUD	1	M8 X 50, 62 mm
31	8944256852	CAP	1	
32	8941236231	GASKET	1	
36	0280808600	BOLT	6	M8 X 60, SUB FOR 0280508600
37	0280508800	BOLT	2	M8 X 80
39	8980637940	BEARING	1	
40	14M7298	FLANGE NUT	2	M8, SUB FOR 0911802080
41	9112290581	DOWEL PIN	4	
43	5096000130	SEAL	1	
54	0410106200	STUD	4	M6 X 20, 28 mm
89	5096000130	SEAL	2	

**<https://www.ebooklibonline.com>**

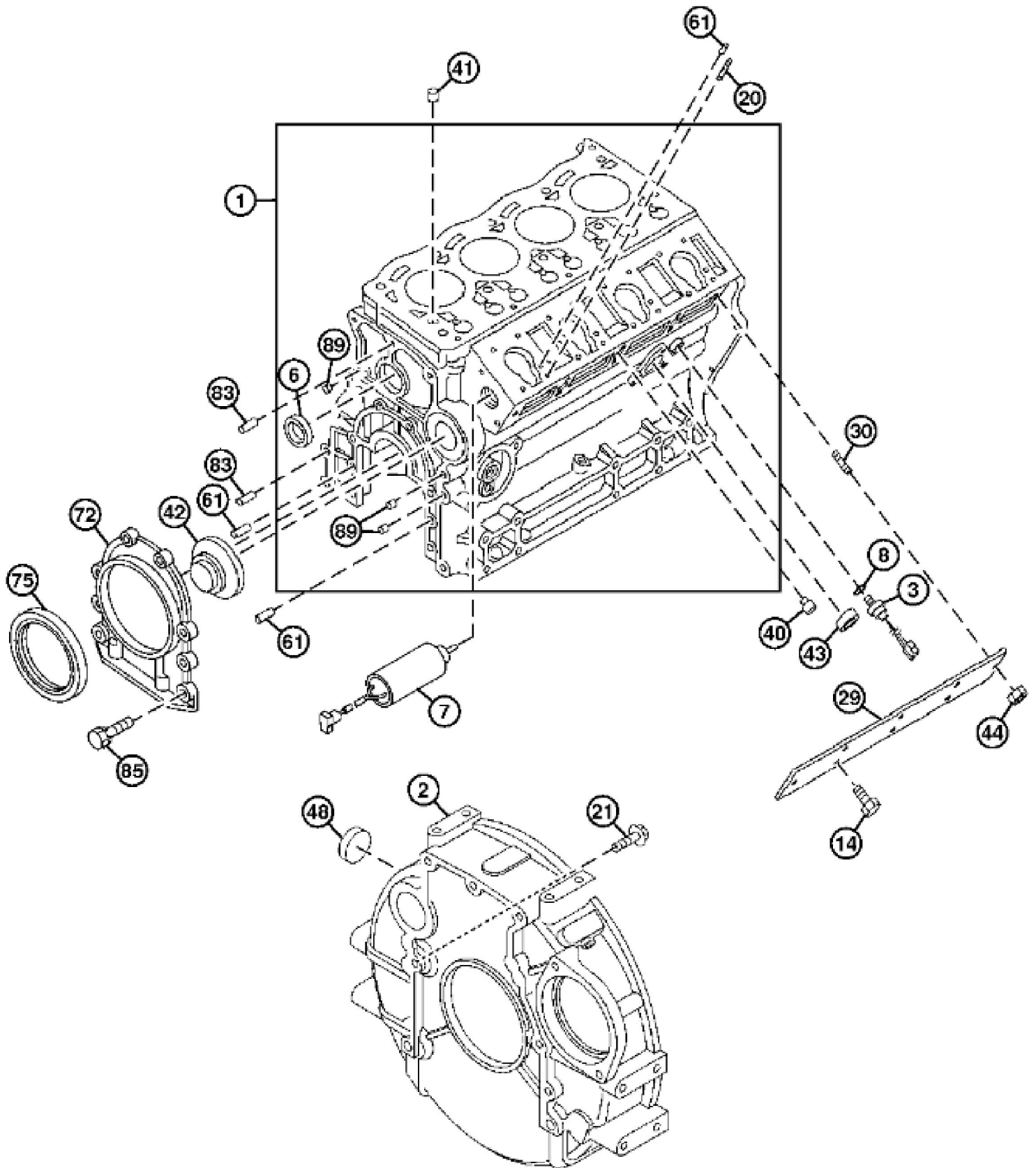
Hello dear friend!

Thank you very much for reading.

Enter the link into your browser.

The full manual is available for immediate download.

**<https://www.ebooklibonline.com>**



TX1036625

KEY	PART NO.	PART NAME	QTY	REMARKS
1	8980894850	CYLINDER BLOCK	1	
2	8980711013	HOUSING	1	SUB FOR 8980711011 OR 8980711012
3	8941268220	SENSOR	1	
6	8942298530	PLUG	1	
7	8972091152	SOLENOID	1	
8	9095714140	GASKET	2	
14	0280506120	BOLT	4	M6 X 12
20	8980637570	STUD	8	
21	0281510250	BOLT	6	M10 X 25
29	8971189892	COVER	1	
30	0410106160	STUD	3	M6 X 16, 25 mm, SUB FOR 8972621471
30	8972621481	STUD	1	M6 X 19, 27 mm
40	8970394953	PIN	2	
41	8942170020	DOWEL PIN	2	SUB FOR 8942008190
42	8970471421	PLUG	1	
43	1096000122	PLUG	1	
44	8973296220	NUT	2	M6
48	8972207400	COVER	2	
61	9081506160	PIN FASTENER	6	
72	8972310302	RETAINER	1	
75	5096250940	SEAL	1	
83	9081508160	PIN FASTENER	2	
85	0280506200	BOLT	8	M6 X 20
89	5096000130	SEAL	4	



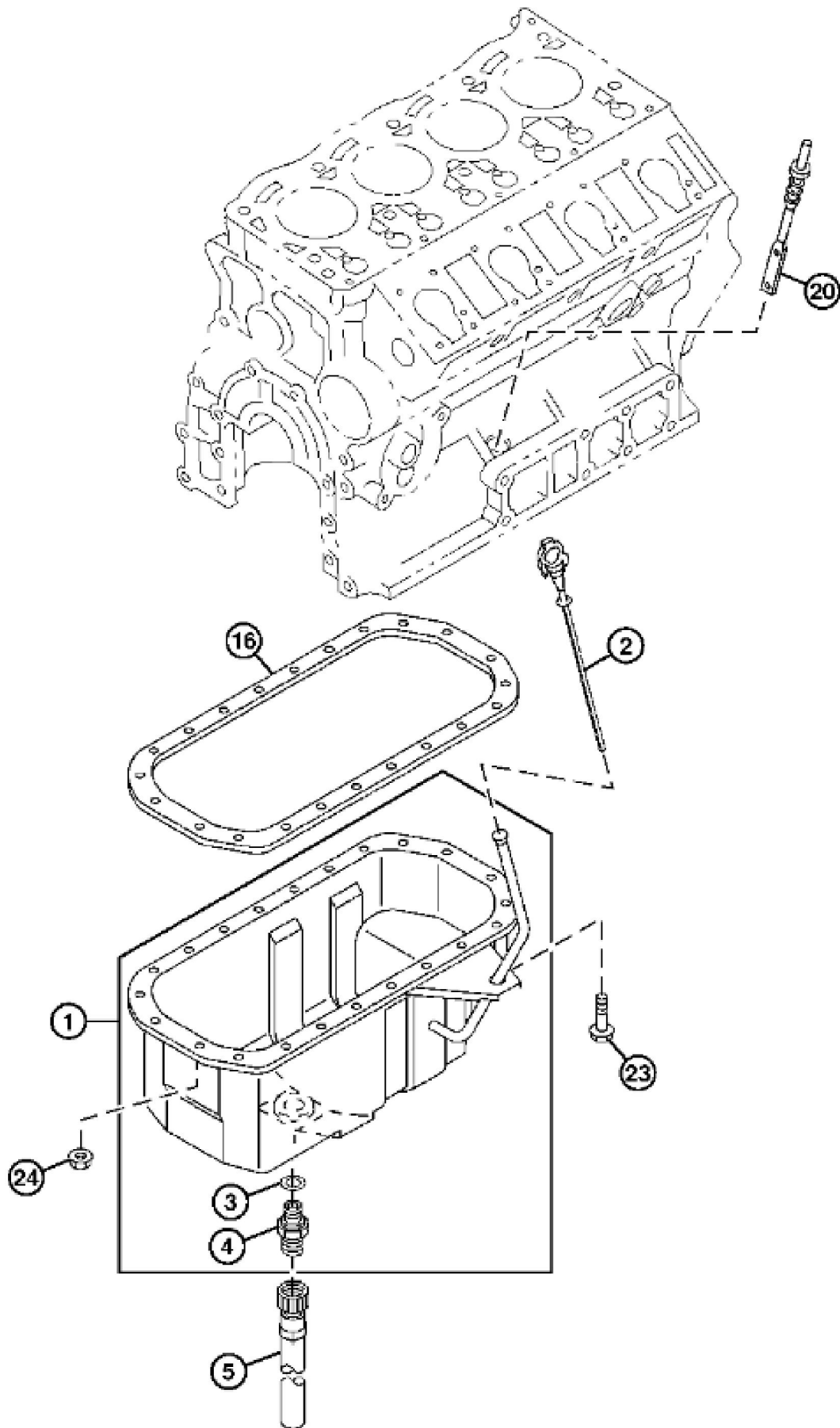
**Suggest:**

**For more complete manuals. Please go to the home page.**

**<https://www.ebooklibonline.com>**

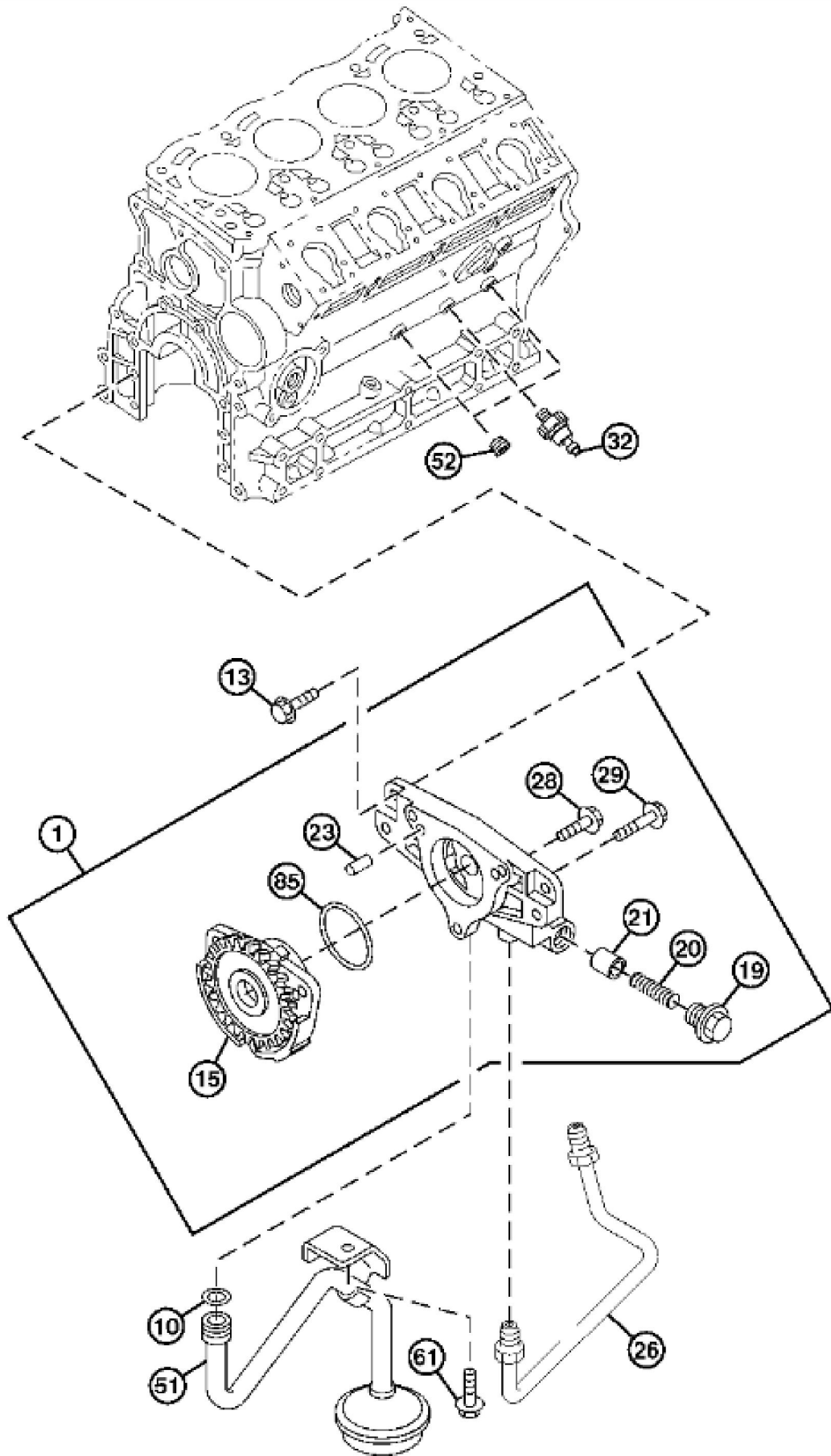
**If the above button click is invalid. Please download this document first, and then click the above link to download the complete manual.**

**Thank you so much for reading**



TX1036626

KEY	PART NO.	PART NAME	QTY	REMARKS	
1	8980788910	PAN	1		
2	8980490351	GAUGE	1	SUB FOR 8980490350	
3	1096300900	GASKET	1		
4	8981442470	PLUG	1	SUB FOR 1096801060	
5	8982534070	HOSE	1	SUB FOR 8973880231	
16	8973149140	GASKET	1		
20	8981080300	PLUG	1	SUB FOR 8944584720	
23	8980797910	BOLT	18	M6	
24	8973296220	NUT	4	M6	



TX1036628

**<https://www.ebooklibonline.com>**

Hello dear friend!

Thank you very much for reading.

Enter the link into your browser.

The full manual is available for immediate download.

**<https://www.ebooklibonline.com>**