

T157384

KEY	PART NO.	PART NAME	QTY	REMARKS
1	8970951672	CYLINDER BLOCK	1	
2	5878146171	PISTON-LINER KIT	4	(SUB FOR 5878140670)GRADE = 1, SUB FOR 5878146170 AND 5878140670
2	5878146181	PISTON-LINER KIT	4	(SUB FOR 5878140680)GRADE = 2, SUB FOR 5878140680 AND 5878146180
2	5878146191	PISTON-LINER KIT	4	(SUB FOR 5878140690)GRADE = 3, SUB FOR 5878140690 AND 5878146190
2	5878146200	CYLINDER LINER	4	GRADE = 4, SUB FOR 5878140700
4	.....	CYLINDER LINER	4	OD GRADE = 1, ID GRADE = AX INCLUDED IN LINER KIT ( 8971766990 NLA), 8971766990 NLA
4	.....	CYLINDER LINER	4	OD GRADE = 1, ID GRADE = CX (INCLUDED IN LINER KIT) ( 8971767000 NLA), 8971767000 NLA
4	.....	CYLINDER LINER	4	OD GRADE = 2, ID GRADE = AX (INCLUDED IN LINER KIT) ( 8971767010 NLA), 8971767010 NLA
4	.....	CYLINDER LINER	4	OD GRADE = 2, ID GRADE = CX (INCLUDED IN LINER KIT) ( 8971767020 NLA), 8971767020 NLA
4	.....	CYLINDER LINER	4	OD GRADE = 3, ID GRADE = AX (INCLUDED IN LINER KIT) ( 8971767030 NLA), 8971767030 NLA
4	.....	CYLINDER LINER	4	OD GRADE = 3, ID GRADE = CX (INCLUDED IN LINER KIT) ( 8971767040 NLA), 8971767040 NLA
4	.....	CYLINDER LINER	4	OD GRADE = 4, ID GRADE = AX (INCLUDED IN LINER KIT) ( 8971767050 NLA), 8971767050 NLA
4	.....	CYLINDER LINER	4	OD GRADE = 4, ID GRADE = CX (INCLUDED IN LINER KIT) ( 8971767060 NLA), 8971767060 NLA
7	9096640010	FITTING PLUG	1	(SUB FOR AT255028)PT 1/4, SUB FOR AT255028
8	8944326420	BOLT	10	M14X89 FLANGE
13	8944533440	PIN FASTENER	2	
15	5096050192	PIPE PLUG	3	(SUB FOR AT254812)PT 1/8, SUB FOR AT254812
16	5112190170	SEAL	1	OD = 38
17	5112190180	BEARING CUP	1	OD = 36
18	1096000581	PLUG	3	(SUB FOR AT254808 OR 1096000580)OD = 45, SUB FOR AT254808 OR 1096000580
19	AT263794	PLUG	3	OD = 18

**<https://www.ebooklibonline.com>**

Hello dear friend!

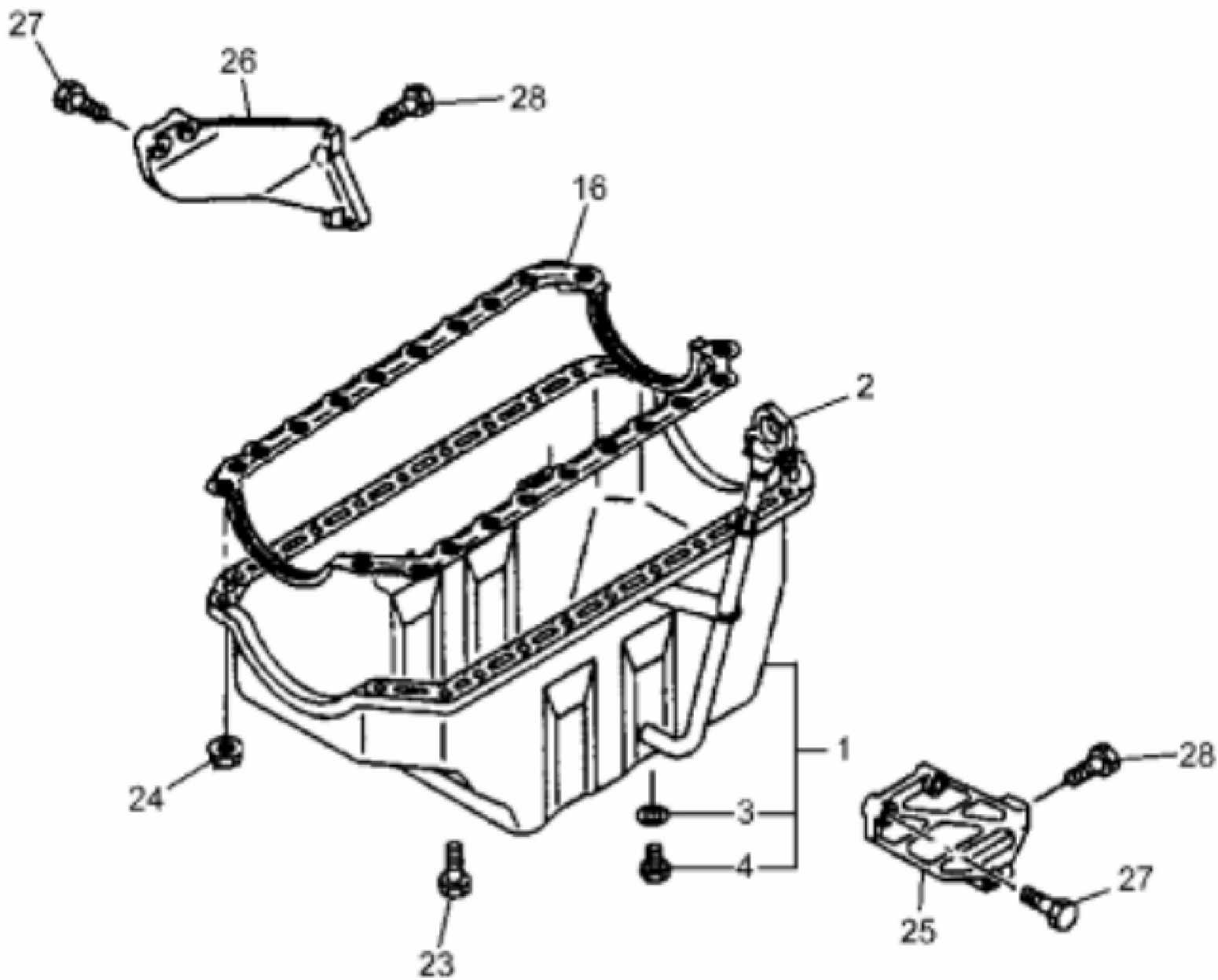
Thank you very much for reading.

Enter the link into your browser.

The full manual is available for immediate download.

**<https://www.ebooklibonline.com>**

KEY	PART NO.	PART NAME	QTY	REMARKS
20	1096000122	PLUG	2	(SUB FOR AT254809 OR 1096000121)OD = 32, SUB FOR AT254809 OR 1096000121
21	5112190180	BEARING CUP	3	OD = 36
22	5096000130	SEAL	1	(SUB FOR AT254823)OD = 12.3, SUB FOR AT254823
24	8973781480	BEARING KIT	1	(SUB FOR 8944272062)FRONT, SUB FOR 8944272062
25	8973781470	BEARING KIT	2	(SUB FOR 8944272012)CENTER, SUB FOR 8944272012
40	5111290060	SEAL	2	(SUB FOR AT254831)OD = 16, SUB FOR AT254831
41	8942505141	PIPE PLUG	1	(SUB FOR 8942505140)OD = 56, SUB FOR 8942505140
45	1824100330	PRESSURE SENSOR	1	SUB FOR AT254817
50	9081610320	PIN FASTENER	1	OD = 10, L = 32
53	9096065350	BOLT	1	
54	8972539990	STUD	4	
63	8944567943	STRUCTURAL TUBE	1	SUB FOR 8944567942
69	9095714160	GASKET	1	ID = 16.2, OD = 24.0
70	30H7	PLUG	1	5/8", (SUB FOR 5111290030)OD = 15.6, SUB FOR 5111290030
71	8941300211	THREADED NIPPLE	1	
72	AT264169	PLUG	1	M16X12
73	9095714140	GASKET	1	(SUB FOR AT255025)ID = 14.2, OD = 20.0, SUB FOR AT255025
74	8944254500	ELECTRICAL CONNECTOR ASSY	1	
75	0911115100	NUT	1	SUB FOR 9091115100
76	9081510220	PIN FASTENER	1	OD = 10, L = 20 ( 9081510200 NLA), 9081510200 NLA
77	1099853450	WASHER	1	



T157386

KEY	PART NO.	PART NAME	QTY	REMARKS	
1	8972539870	OIL PAN	1		
2	8973251740	DIPSTICK	1		
3	8943993980	GASKET	1	(SUB FOR AT254814 OR 1096231830)ALSO INCLUDED IN GASKET SET (ENGINE)	
4	9096620120	PIPE PLUG	1	(SUB FOR AT255027)M20	
16	8970801940	GASKET	1	ALSO INCLUDED IN GASKET SET (ENGINE)	
23	8941339732	BOLT	10		
24	14M7298	FLANGE NUT	12	M8, SUB FOR AT259945 OR 4447338	
25	8972300700	REINFORCEMENT	1		
26	8972300690	REINFORCEMENT	1		
27	0286510400	BOLT	4	(SUB FOR 0286810400)M10X40 FLANGE	
28	0286512300	BOLT	2	M12X30 FLANGE, SUB FOR 0286812300	



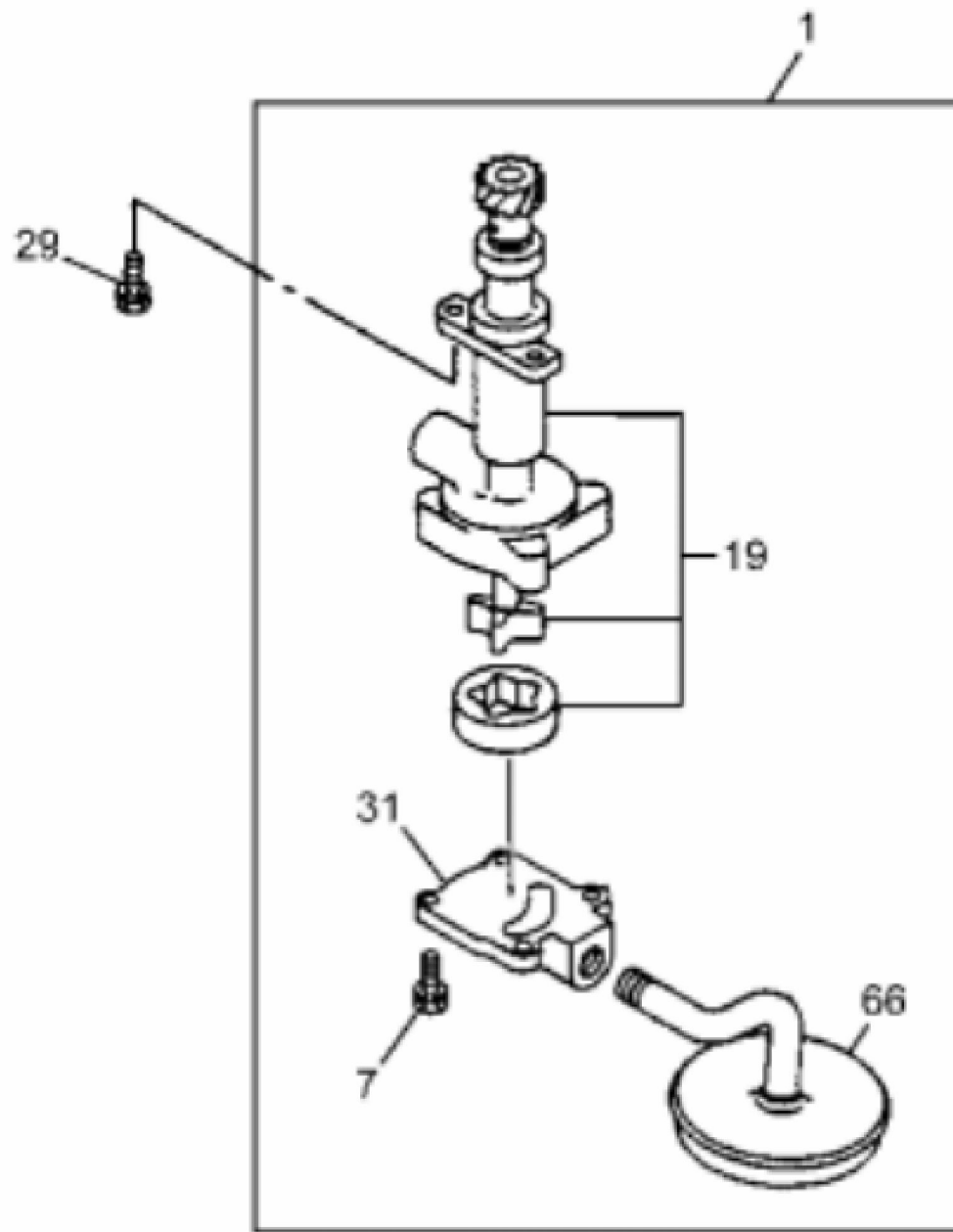
**Suggest:**

**For more complete manuals. Please go to the home page.**

**<https://www.ebooklibonline.com>**

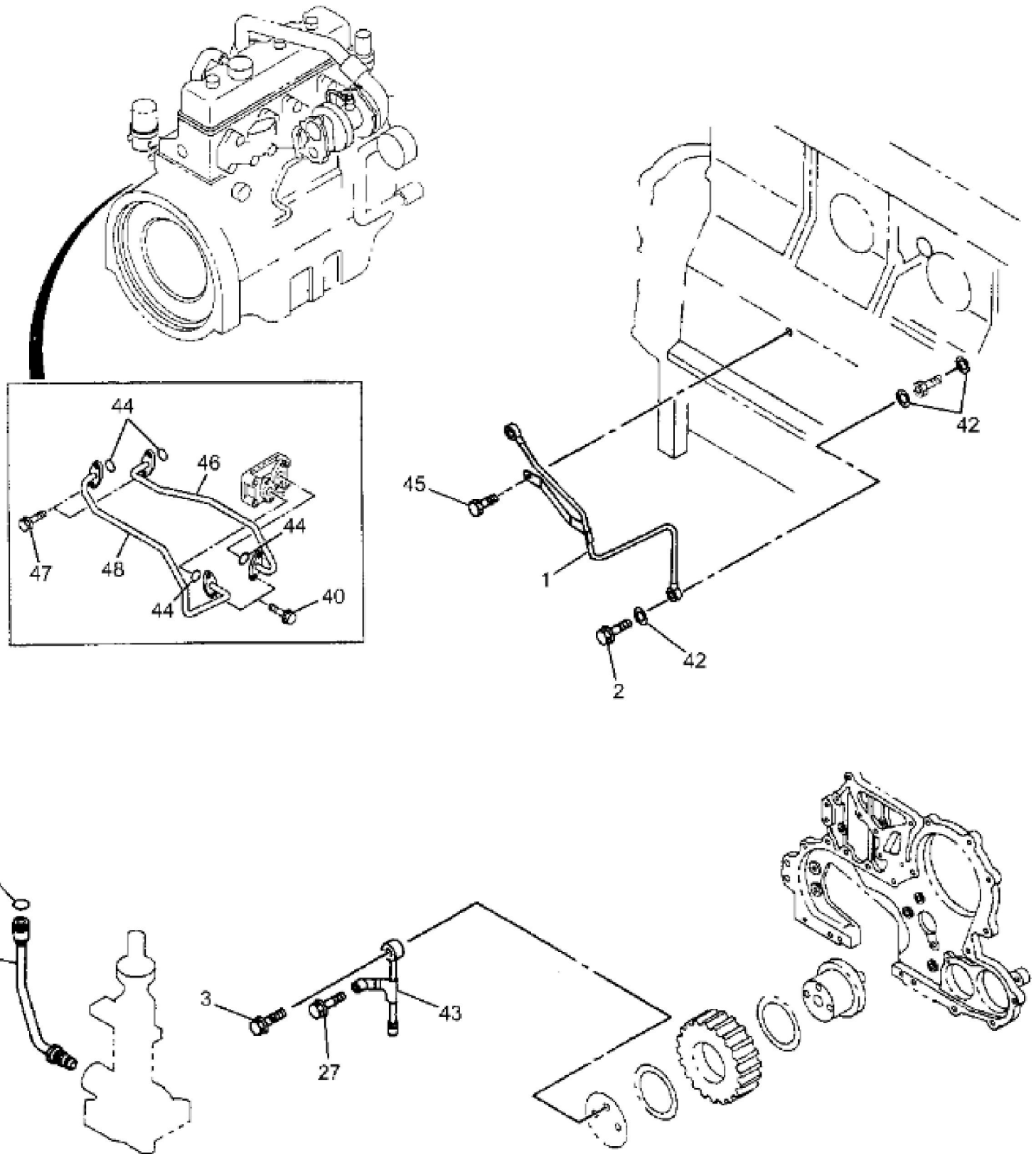
**If the above button click is invalid. Please download this document first, and then click the above link to download the complete manual.**

**Thank you so much for reading**



T159193

KEY	PART NO.	PART NAME	QTY	REMARKS	
1	8973251570	OIL PUMP	1		
7	0505408250	BOLT	4	M8X25 W/LK WASHER, SUB FOR 0500408250	
19	8970441120	GEAR	1		
29	.....	SCREW WITH WASHER	2	M8 x 25, With Lock Washer, 0501408250 NLA	
29	19M7163	CAP SCREW	2	M8 X 25	
29	.....	WASHER	2	12M7065 NLA	
29	24M7036	WASHER	2	9 X 16 X 1.600 mm	
31	9131130771	COVER	1		
66	9131430100	STRAINER	1		



**<https://www.ebooklibonline.com>**

Hello dear friend!

Thank you very much for reading.

Enter the link into your browser.

The full manual is available for immediate download.

**<https://www.ebooklibonline.com>**