

KEY	PART NO.	PART NAME	QTY	REMARKS	
1	AT211731	CRANKSHAFT	1		
3	AT211734	GEAR	1		
4	CH16793	PIN	1		
5	CH16730	PIN	1		
6	M801045	SHAFT KEY	1		
7	AT211884	PULLEY	1		
8	AT211735	WASHER	1		
9	CH16798	BOLT	1		
10	CH16791	BOLT	6		
11	AT211886	FLYWHEEL	1		
14	AT211740	PISTON	4		
16	AT211742	PISTON RING	4		
20	AT211746	PISTON PIN	4		
21	CH14432	RING	8		
22	MIA881093	CONNECTING ROD	4	(SUB FOR AT211747)	
25	MIU801252	BUSHING	4	(SUB FOR AT211840)	
26	AT211751	SCREW	8		
27	MIA880564	BEARING	4	(SUB FOR AT211752)	
29	MIA880569	BEARING	4	(SUB FOR AT211841) (UNDERSIZE)	
31	AT211842	PISTON	4	(OVERSIZE)	
33	AT211843	RING	4	(OVERSIZE)	
35	AT212055	FLYWHEEL	1		

**<https://www.ebooklibonline.com>**

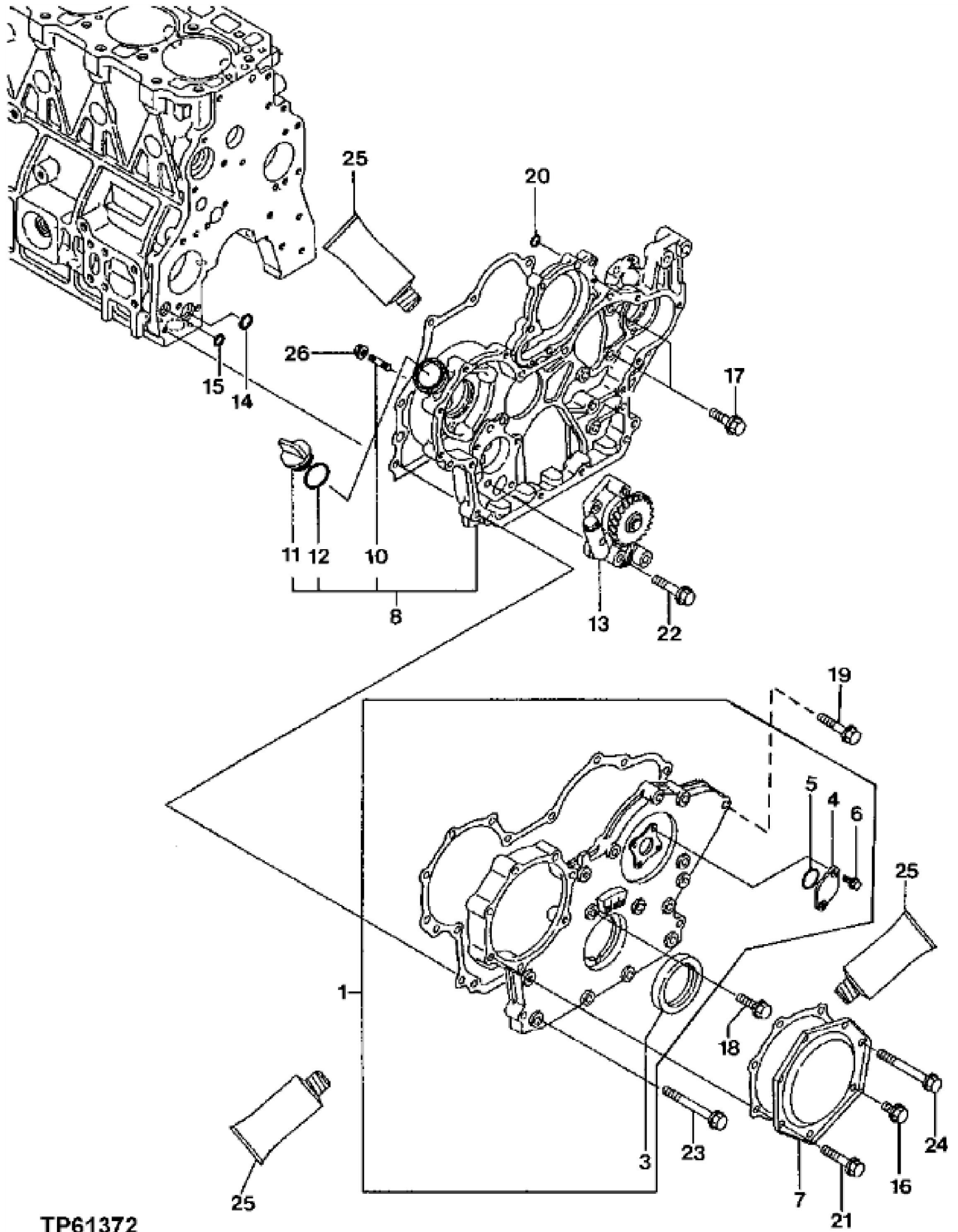
Hello dear friend!

Thank you very much for reading.

Enter the link into your browser.

The full manual is available for immediate download.

**<https://www.ebooklibonline.com>**



TP61372

John Deere > Construction And Forestry > EXCAVATOR > 80 - EXCAVATOR > 80 Excavator > 04 ENGINE > 0402 CAMSHAFT AND VALVE ACTUATING MEANS > ST262656 - TIMING GEAR COVER, OIL PUMP, AND OIL FILLER CAP

KEY	PART NO.	PART NAME	QTY	REMARKS
1	AT211867	COVER	1	
3	AT211663	SEAL	1	
4	MIU800476	COVER	1	(SUB FOR M87874)
5	CH13526	PACKING	1	
6	19M7775	SCREW	2	M6 X 16
7	AT211662	COVER	1	
8	AT211904	GEAR CASE	1	
10	M800056	STUD	4	
11	M805710	CAP	1	
12	M805711	PACKING	1	
13	AT212086	HYDRAULIC PUMP	1	(SUB FOR AT211668)
14	AT211670	O-RING	1	
15	AT211671	O-RING	1	
16	19M7865	SCREW	1	M8 X 16
17	19M7866	SCREW	3	M8 X 20
18	19M7868	SCREW	1	M8 X 30
19	19M8317	SCREW	5	M8 X 40, (SUB FOR M89128)
20	CH10567	PACKING	1	
21	19M8317	SCREW	5	M8 X 40, (SUB FOR M89128)
22	CH19101	BOLT	3	
23	19M7803	SCREW	6	M8 X 70
24	19M7803	SCREW	1	M8 X 70
25	M64850	SEALANT	AR	(GASKET SEALANT)
26	M88031	NUT	4	



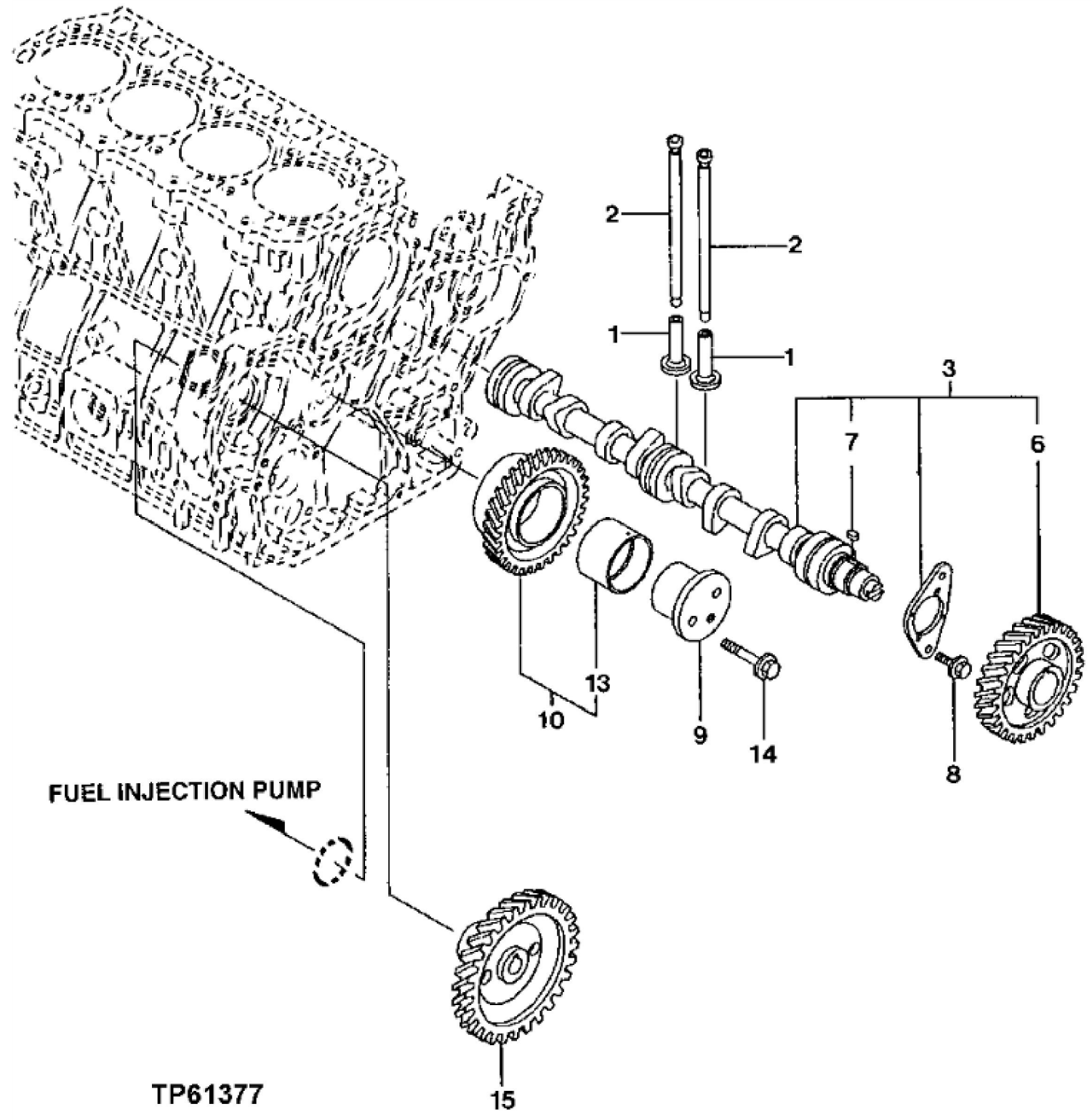
**Suggest:**

**For more complete manuals. Please go to the home page.**

**<https://www.ebooklibonline.com>**

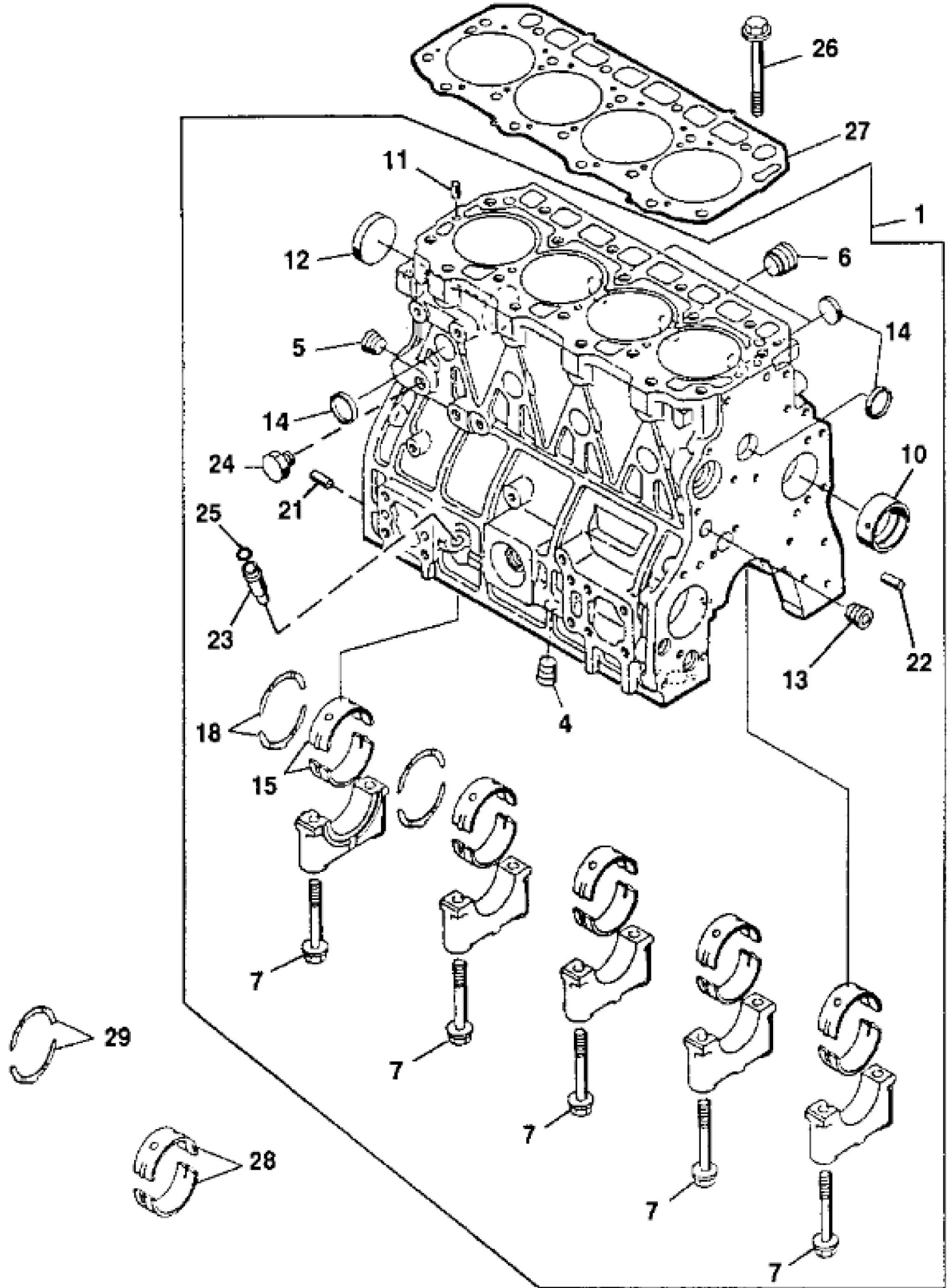
**If the above button click is invalid. Please download this document first, and then click the above link to download the complete manual.**

**Thank you so much for reading**



John Deere > Construction And Forestry > EXCAVATOR >80 - EXCAVATOR >80 Excavator >04 ENGINE >0402 CAMSHAFT AND VALVE ACTUATING MEANS >ST262657 - CAMSHAFT W/ GEAR, FOLLOWERS AND PUSHRODS

KEY	PART NO.	PART NAME	QTY	REMARKS	
1	M801046	CAM FOLLOWER	8		
2	AT211726	PUSH ROD	8		
3	AT211727	CAMSHAFT	1		
6	AT211730	GEAR	1		
7	M801045	SHAFT KEY	1		
8	19M7865	SCREW	2	M8 X 16	
9	AT211754	SHAFT	1		
10	AT211755	GEAR	1		
13	M801050	BUSHING	1		
14	19M7979	SCREW	2	M8 X 55	
15	AT211757	GEAR	1		



TP61371

**<https://www.ebooklibonline.com>**

Hello dear friend!

Thank you very much for reading.

Enter the link into your browser.

The full manual is available for immediate download.

**<https://www.ebooklibonline.com>**