



John Deere > Construction And Forestry > EXCAVATOR > 75G - EXCAVATOR > 75G Excavator (PIN: 1FF075GX\_ J015001- ) > 04 ENGINE - MISC. ENGINE / COMPLETE ENGINE > 0404 CYLINDER BLOCK  
 > ST744098 - ENGINE BLOCK

| KEY | PART NO.  | PART NAME      | QTY | REMARKS             |
|-----|-----------|----------------|-----|---------------------|
| 1   | .....     | CYLINDER BLOCK | 1   | MIA882715 NLA       |
| 4   | M809594   | PLUG           | 1   |                     |
| 5   | 15H562    | PIPE PLUG      | 1   | 1", SUB FOR CH18379 |
| 6   | AT211653  | BOLT           | 10  |                     |
| 9   | AT211656  | BUSHING        | 1   |                     |
| 10  | 30M7023   | PLUG           | 8   | SUB FOR CH10642     |
| 11  | CH18079   | SPRING PIN     | 2   |                     |
| 12  | M806938   | PLUG           | 1   |                     |
| 13  | M806938   | PLUG           | 1   |                     |
| 14  | M806938   | PLUG           | 1   |                     |
| 24  | MIA880556 | BEARING        | 2   |                     |
| 27  | AT211658  | BOLT           | 18  |                     |
| 28  | MIU802832 | GASKET         | 1   |                     |
| 29  | MIA880548 | BEARING        | 5   |                     |
| 32  | MIA880547 | BEARING        | 5   | Undersize           |
| 35  | MIA880558 | BEARING        | 2   | Set Of Two          |

**<https://www.ebooklibonline.com>**

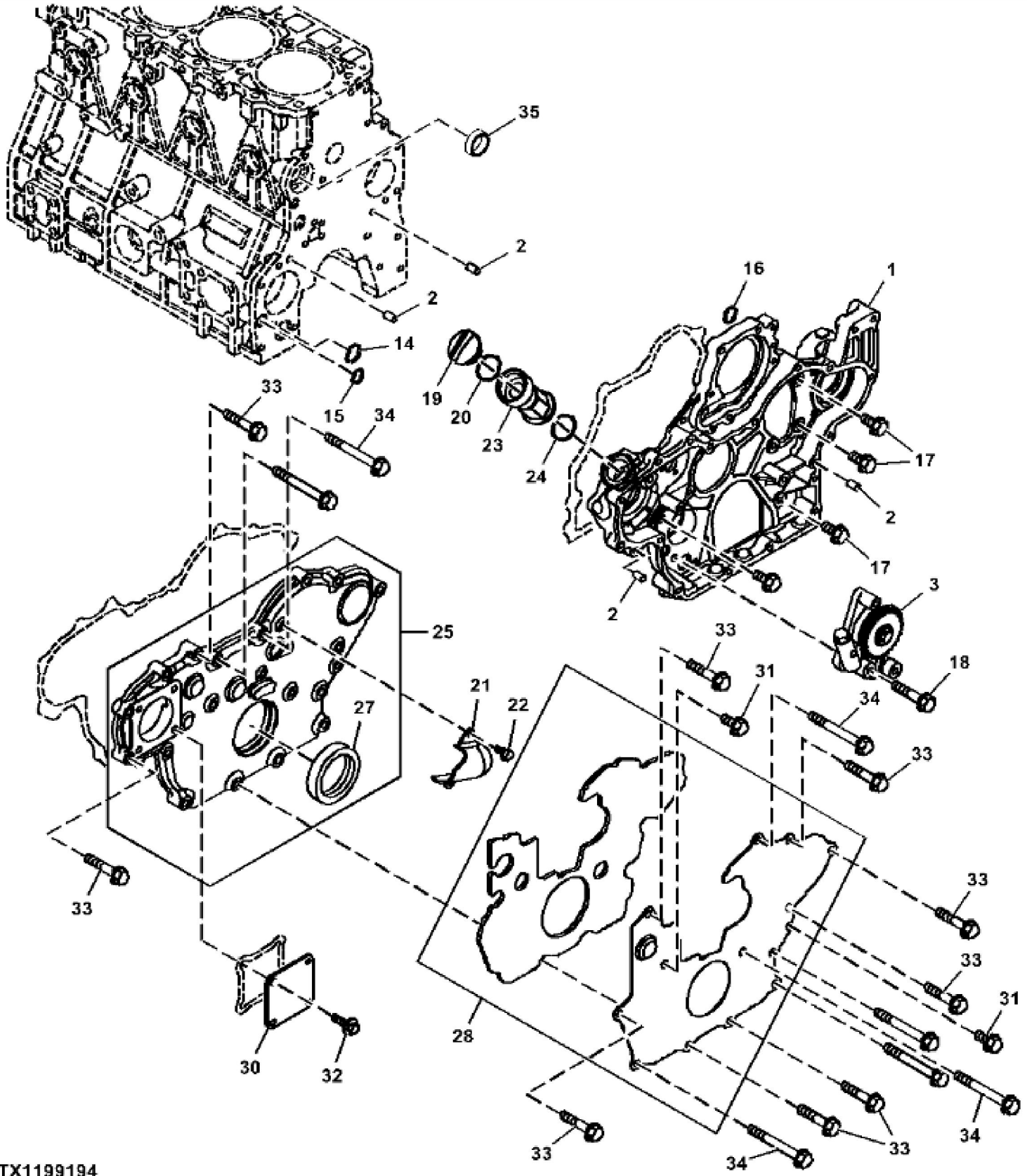
Hello dear friend!

Thank you very much for reading.

Enter the link into your browser.

The full manual is available for immediate download.

**<https://www.ebooklibonline.com>**



TX1199194

John Deere > Construction And Forestry > EXCAVATOR > 75G - EXCAVATOR > 75G Excavator (PIN: 1FF075GX\_ J015001- ) > 04 ENGINE - MISC. ENGINE / COMPLETE ENGINE > 0404 CYLINDER BLOCK > ST744099 - GEAR HOUSING

| KEY | PART NO.  | PART NAME      | QTY | REMARKS |
|-----|-----------|----------------|-----|---------|
| 1   | MIU802981 | GEAR CASE      | 1   |         |
| 2   | M802255   | PIN            | 4   |         |
| 3   | AT212086  | HYDRAULIC PUMP | 1   |         |
| 14  | AT211670  | O-RING         | 1   |         |
| 15  | AT211671  | O-RING         | 1   |         |
| 16  | CH10567   | PACKING        | 1   |         |
| 17  | CH18390   | BOLT           | 4   |         |
| 18  | CH19101   | BOLT           | 3   |         |
| 19  | M805710   | CAP            | 1   |         |
| 20  | M805711   | PACKING        | 1   |         |
| 21  | .....     | COVER          | 1   | NLA     |
| 22  | M87819    | BOLT           | 2   |         |
| 23  | M800990   | EXTENSION      | 1   |         |
| 24  | M805711   | PACKING        | 1   |         |
| 25  | MIA882716 | COVER          | 1   |         |
| 27  | MIU801096 | SEAL           | 1   |         |
| 28  | .....     | COVER          | 1   | NLA     |
| 30  | CH18096   | COVER          | 1   |         |
| 31  | CH18390   | BOLT           | 2   |         |
| 32  | CH18390   | BOLT           | 4   |         |
| 33  | M89128    | BOLT           | 10  |         |
| 34  | 19M7803   | SCREW          | 7   | M8 X 70 |
| 35  | MIU803966 | GASKET         | 1   |         |



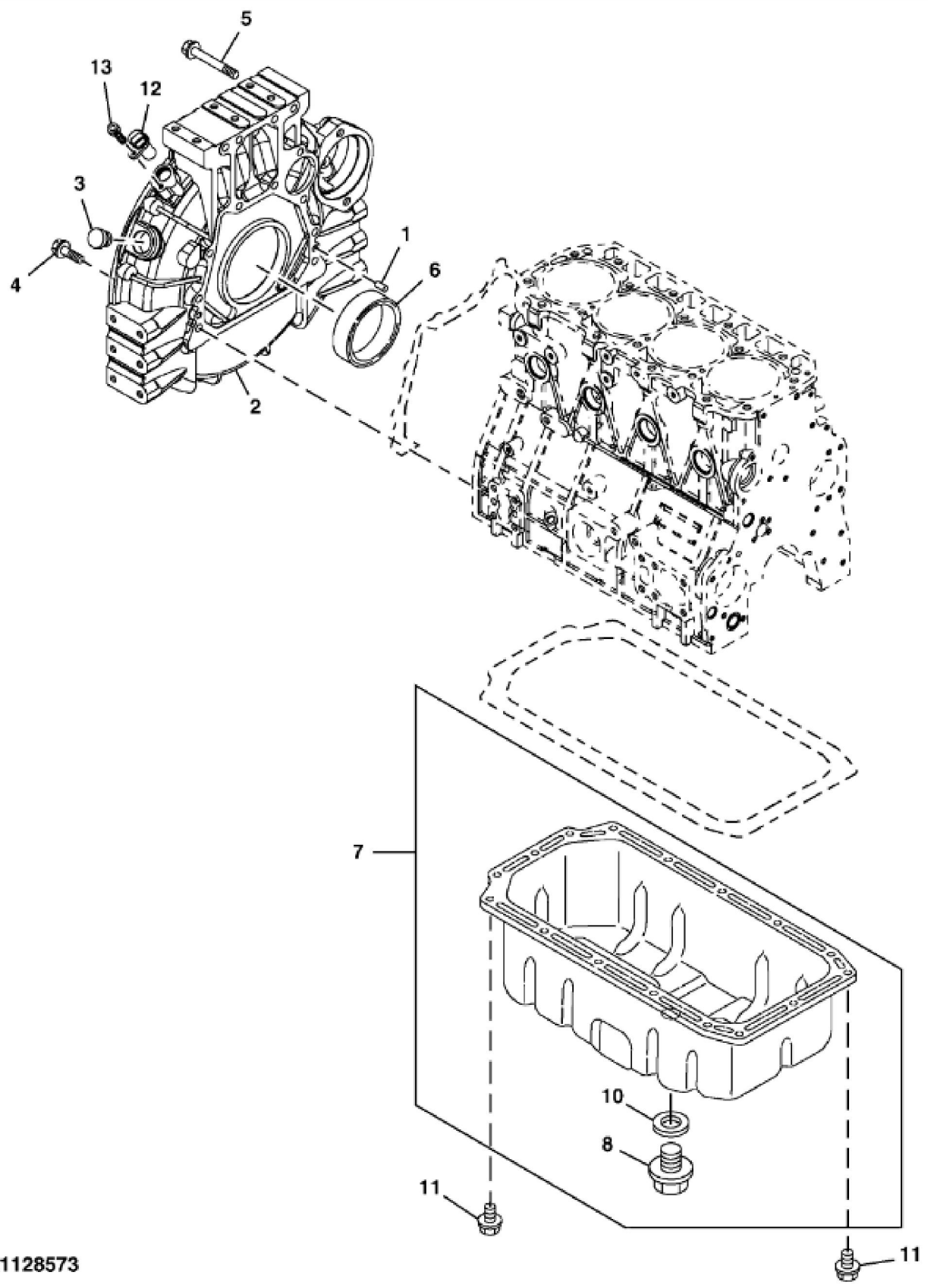
**Suggest:**

**For more complete manuals. Please go to the home page.**

**<https://www.ebooklibonline.com>**

**If the above button click is invalid. Please download this document first, and then click the above link to download the complete manual.**

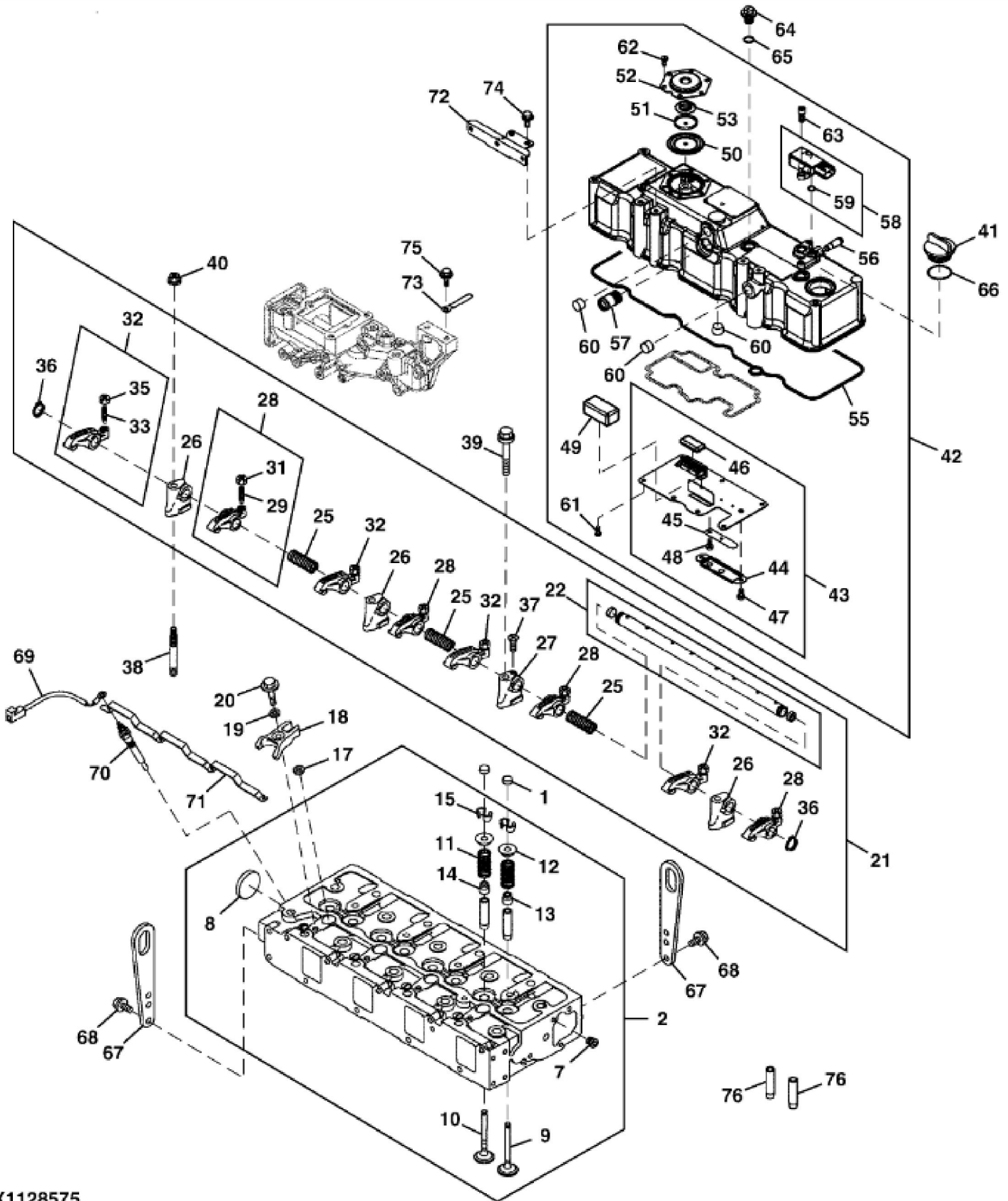
**Thank you so much for reading**



TX1128573

John Deere > Construction And Forestry > EXCAVATOR > 75G - EXCAVATOR > 75G Excavator (PIN: 1FF075GX\_ J015001- ) > 04 ENGINE - MISC. ENGINE / COMPLETE ENGINE > 0404 CYLINDER BLOCK > ST744100 - FLYWHEEL HOUSING AND OIL SUMP

| KEY | PART NO.  | PART NAME  | QTY | REMARKS  |  |
|-----|-----------|------------|-----|----------|--|
| 1   | M802255   | PIN        | 2   |          |  |
| 2   | MIU802972 | FLYWHEEL   | 1   |          |  |
| 3   | M88659    | PLUG       | 1   |          |  |
| 4   | AT211675  | CAP SCREW  | 9   |          |  |
| 5   | MIU802452 | BOLT       | 4   |          |  |
| 6   | MIU801095 | SEAL       | 1   |          |  |
| 7   | MIA881103 | RESERVOIR  | 1   |          |  |
| 8   | M806544   | DRAIN PLUG | 1   |          |  |
| 10  | M806545   | WASHER     | 1   |          |  |
| 11  | CH19137   | BOLT       | 16  |          |  |
| 12  | MIU802138 | SENSOR     | 1   | Flywheel |  |
| 13  | M800695   | BOLT       | 1   |          |  |



TX1128575

**<https://www.ebooklibonline.com>**

Hello dear friend!

Thank you very much for reading.

Enter the link into your browser.

The full manual is available for immediate download.

**<https://www.ebooklibonline.com>**