

TX1007480

KEY	PART NO.	PART NAME	QTY	REMARKS
1	8972190014	CASE	1	
32	8971172421	GASKET	1	(PARTS INCLUDED IN ENGINE GASKET KIT) SUB FOR 8971172420
36	WASHER	2	SUB19M7378 AND 12M7065 M8x45 Includes Washer; 0500408450 NLA
36	0505408180	BOLT	3	SUB FOR 0500408180 M8X18 Includes Washer
36	SCREW WITH WASHER	3	SUB 19M7139 AND 12M7065 M8X20 Includes Washer; 0500408160 NLA
54	8972312141	COVER	1	
57	5113210090	COVER	2	
58	0280506120	BOLT	4	SUB FOR 0280806120 M6X12
62	9958212550	BOLT	1	M12X55
63	0280808300	BOLT	8	SUB FOR AT259926M8X30
64	AT263858	BOLT	7	M8X60 Not Illustrated
65	GASKET	2	8971186980 NLA
82	0916107080	WASHER	1	SUB FOR 9091607080
83	8970491450	SEAL	1	(PARTS INCLUDED IN ENGINE GASKET KIT) SUB FOR AT254826
84	8972386310	GASKET	1	(PARTS INCLUDED IN ENGINE GASKET KIT)
85	9081510220	PIN FASTENER	2	SUB FOR 9081510200OD=10 L=20

<https://www.ebooklibonline.com>

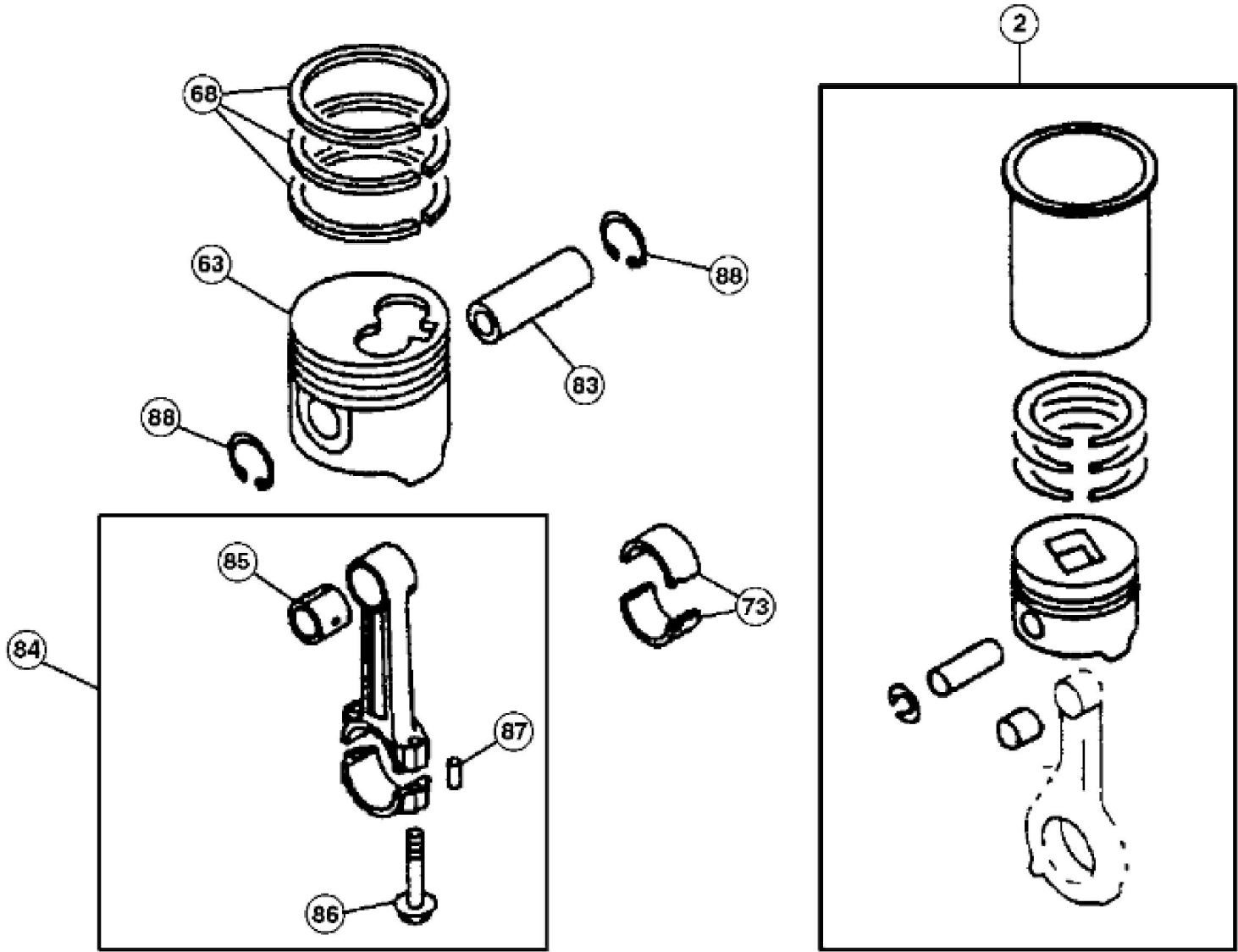
Hello dear friend!

Thank you very much for reading.

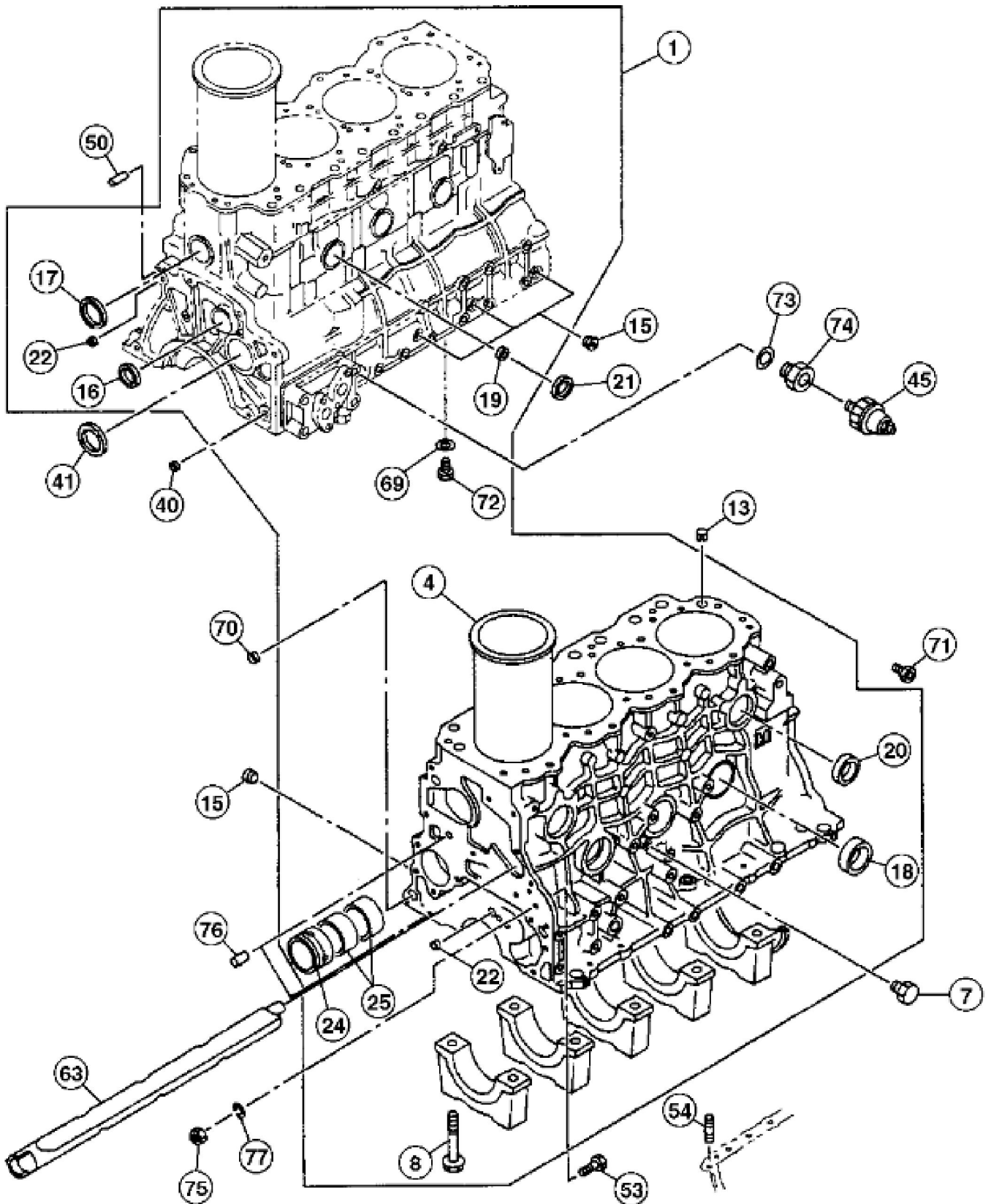
Enter the link into your browser.

The full manual is available for immediate download.

<https://www.ebooklibonline.com>



KEY	PART NO.	PART NAME	QTY	REMARKS
2	5878146171	PISTON-LINER KIT	4	(SUB FOR 5878140670)GRADE=1, SUB FOR 5878146170 AND 5878140670
2	5878146181	PISTON-LINER KIT	4	(SUB FOR 5878140680)GRADE=2, SUB FOR 5878140680 AND 5878146180
2	5878146191	PISTON-LINER KIT	4	(SUB FOR 5878140690)GRADE=3, SUB FOR 5878140690 AND 5878146190
2	5878146200	CYLINDER LINER	4	(SUB FOR 5878140700)GRADE=4, SUB FOR 5878140700
63	8972882500	PISTON	4	(ALSO INCLUDED IN CYLINDER LINER KIT) GRADE=AX AND BX
63	8972882510	PISTON	4	(ALSO INCLUDED IN CYLINDER LINER KIT) GRADE=CX AND DX
68	8971479840	CYLINDER AND PISTON KIT	4	(ALSO INCLUDED IN CYLINDER LINER KIT)
73	8973582340	CRANKSHAFT AND PISTON KIT	4	SUB FOR 8943721931
83	8944570081	PIN FASTENER	4	(ALSO INCLUDED IN CYLINDER LINER KIT)
84	8980139624	CONNECTING ROD	4	SUB FOR 8972892630, 8972892631, 8980139620, 8980139621 OR 8980139623
85	8972892641	BEARING	4	(ALSO INCLUDED IN CYLINDER LINER KIT) SUB FOR 8972892640 OR 8972892642
86	8980485380	BOLT	8	M11X44.5, SUB FOR 8970620860
87	9081605080	PIN FASTENER	8	
88	8944606870	SNAP RING	8	(ALSO INCLUDED IN CYLINDER LINER KIT)



TX1005823



Suggest:

For more complete manuals. Please go to the home page.

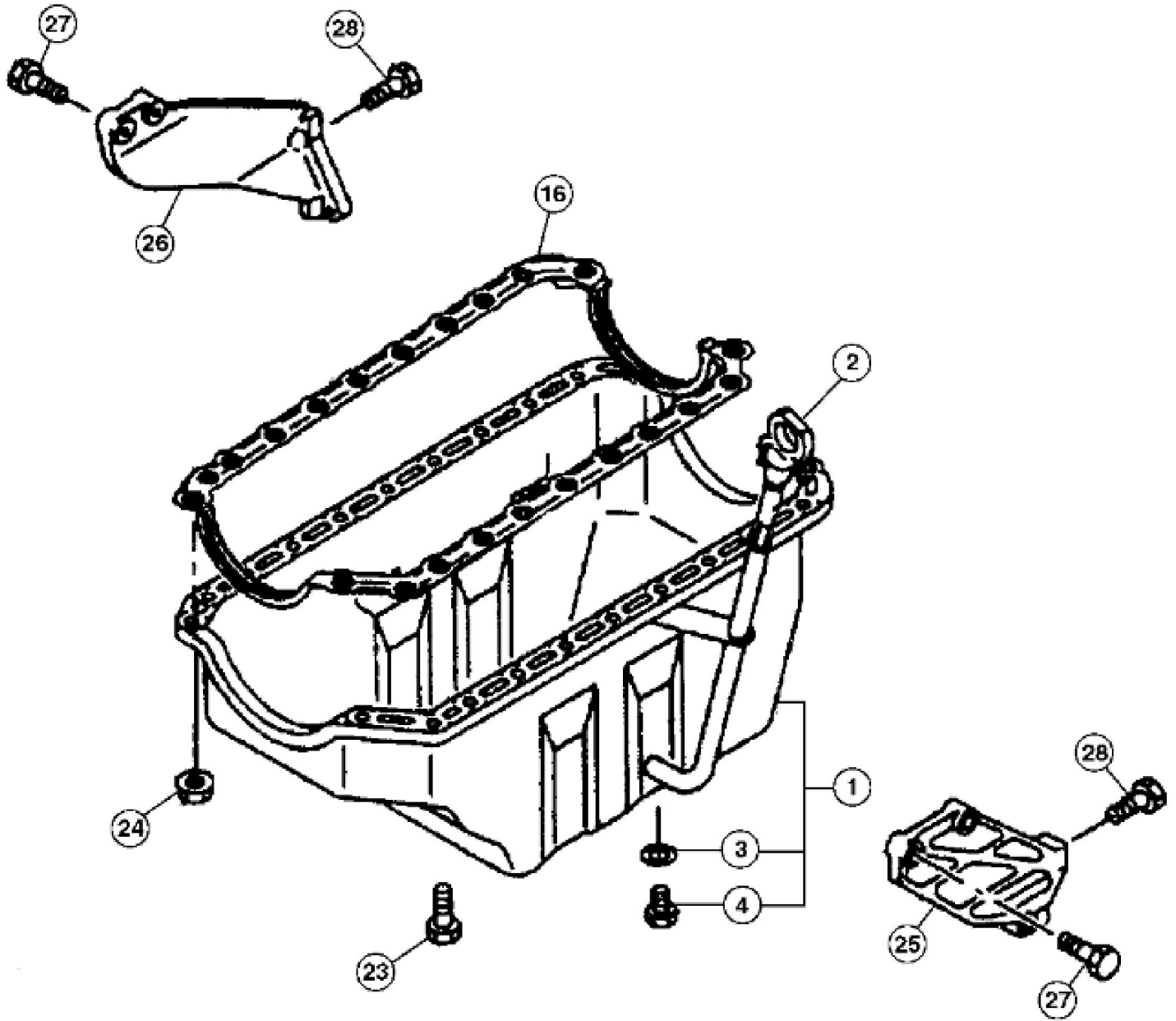
<https://www.ebooklibonline.com>

If the above button click is invalid. Please download this document first, and then click the above link to download the complete manual.

Thank you so much for reading

KEY	PART NO.	PART NAME	QTY	REMARKS
1	8970951672	CYLINDER BLOCK	1	
4	CYLINDER LINER	4	(ALSO INCLUDED IN CYLINDER LINER KIT) OD GRD=1, ID GRD=AX (8971766990 NLA)
4	CYLINDER LINER	4	(ALSO INCLUDED IN CYLINDER LINER KIT) OD GRD=1, ID GRD=CX (8971767000 NLA)
4	CYLINDER LINER	4	(ALSO INCLUDED IN CYLINDER LINER KIT) OD GRD=2, ID GRD=AX (8971767010 NLA)
4	CYLINDER LINER	4	(ALSO INCLUDED IN CYLINDER LINER KIT) OD GRD=2, ID GRD=CX (8971767020 NLA)
4	CYLINDER LINER	4	(ALSO INCLUDED IN CYLINDER LINER KIT) OD GRD=3, ID GRD=AX (8971767030 NLA)
4	CYLINDER LINER	4	(ALSO INCLUDED IN CYLINDER LINER KIT) OD GRD=3, ID GRD=CX (8971767040 NLA)
4	CYLINDER LINER	4	(ALSO INCLUDED IN CYLINDER LINER KIT) OD GRD=4, ID GRD=AX (8971767050 NLA)
4	CYLINDER LINER	4	(ALSO INCLUDED IN CYLINDER LINER KIT) OD GRD=4, ID GRD=CX (8971767060 NLA)
7	9096640010	FITTING PLUG	1	(SUB FOR AT255028)PT1/4
8	8944326420	BOLT	10	M14X89
13	8944533440	PIN FASTENER	2	
15	5096050192	PIPE PLUG	3	(SUB FOR AT254812)PT1/8
16	5112190170	SEAL	1	OD=38
17	5112190180	BEARING CUP	1	OD=36
18	1096000581	PLUG	3	(SUB FOR AT254808 OR 1096000580)OD=45
19	AT263794	PLUG	3	OD=18
20	1096000122	PLUG	2	(SUB FOR AT254809 OR 1096000121)OD=32
21	5112190180	BEARING CUP	3	OD=36
22	5096000130	SEAL	1	(SUB FOR AT254823)OD=12.3
24	8973781480	BEARING KIT	1	(SUB FOR 8944272062)FRONT
25	8973781470	BEARING KIT	2	(SUB FOR 8944272012)CENTER
40	5111290060	SEAL	3	(SUB FOR AT254831)OD=16
41	8942505141	PIPE PLUG	1	(SUB FOR 8942505140)OD=56
45	1824100330	PRESSURE SENSOR	1	(SUB FOR AT254817)
50	9081610320	PIN FASTENER	1	OD=10 L=32
53	9096065350	BOLT	1	

KEY	PART NO.	PART NAME	QTY	REMARKS	
54	8972539990	STUD	4		
63	8944567943	STRUCTURAL TUBE	1	(SUB FOR 8944567942)	
69	9095714160	GASKET	1	ID=16.2 OD=24.0	
70	30H7	PLUG	1	5/8", (SUB FOR 5111290030)OD=15.6	
71	8941300211	THREADED NIPPLE	1		
72	AT264169	PLUG	1	M16X12	
73	9095714140	GASKET	1	(SUB FOR AT255025)ID=14.2 OD=20.0	
74	8944254500	ELECTRICAL CONNECTOR ASSY	1		
75	0911115100	NUT	1	(SUB FOR 9091115100)	
76	9081510220	PIN FASTENER	1	(SUB FOR 9081510200)OD=10 L=20	
77	1099853450	WASHER	1		



TX1007481

<https://www.ebooklibonline.com>

Hello dear friend!

Thank you very much for reading.

Enter the link into your browser.

The full manual is available for immediate download.

<https://www.ebooklibonline.com>