

G10724F

[A11]

KEY	PART NO.	PART NAME	QTY	REMARKS
1	M47427	WASHER	10	
2	19H2633	CAP SCREW	8	3/8" X 1-1/2"
3	19H3217	CAP SCREW	1	3/8" X 1-3/4"
4	M44146	ANGLE	1	(*)
5	AM37194	DIPSTICK	1	(*)
6	M81613	GASKET	1	
7	M81614	BASE	1	(*)
8	19H1732	CAP SCREW	4	3/8" X 1-1/4"
8	12H304	LOCK WASHER	4	3/8"
9	21H1300	SCREW	3	0.190" X 3/8"
9	12H295	LOCK WASHER	3	0.190"
10	AM35803	ADAPTER	1	
11	M44147	GASKET	1	
12	M43115	GASKET	1	(A)
13	PLATE	1	(A) BREATHER, ASSY
14	M43114	VALVE	1	(A)
15	DEFLECTOR	1	(A)
16	M43117	FILTER	1	(A)
17	M43113	SEAL	1	(A)
18	M43120	GASKET	1	(A)
19	VALVE COVER	1	(A)
20	14H786	NUT	1	(A) 1/4"
21	12H302	LOCK WASHER	1	(A) 1/4"
22	STUD	1	(A)
23	M70496	ENGINE CYLINDER HEAD GASKET	1	(SUB FOR M46787)
24	M46788	CYLINDER HEAD	1	
..	AM116771	KIT	1	BREATHER (INCL. PARTS MARKED "A")

<https://www.ebooklibonline.com>

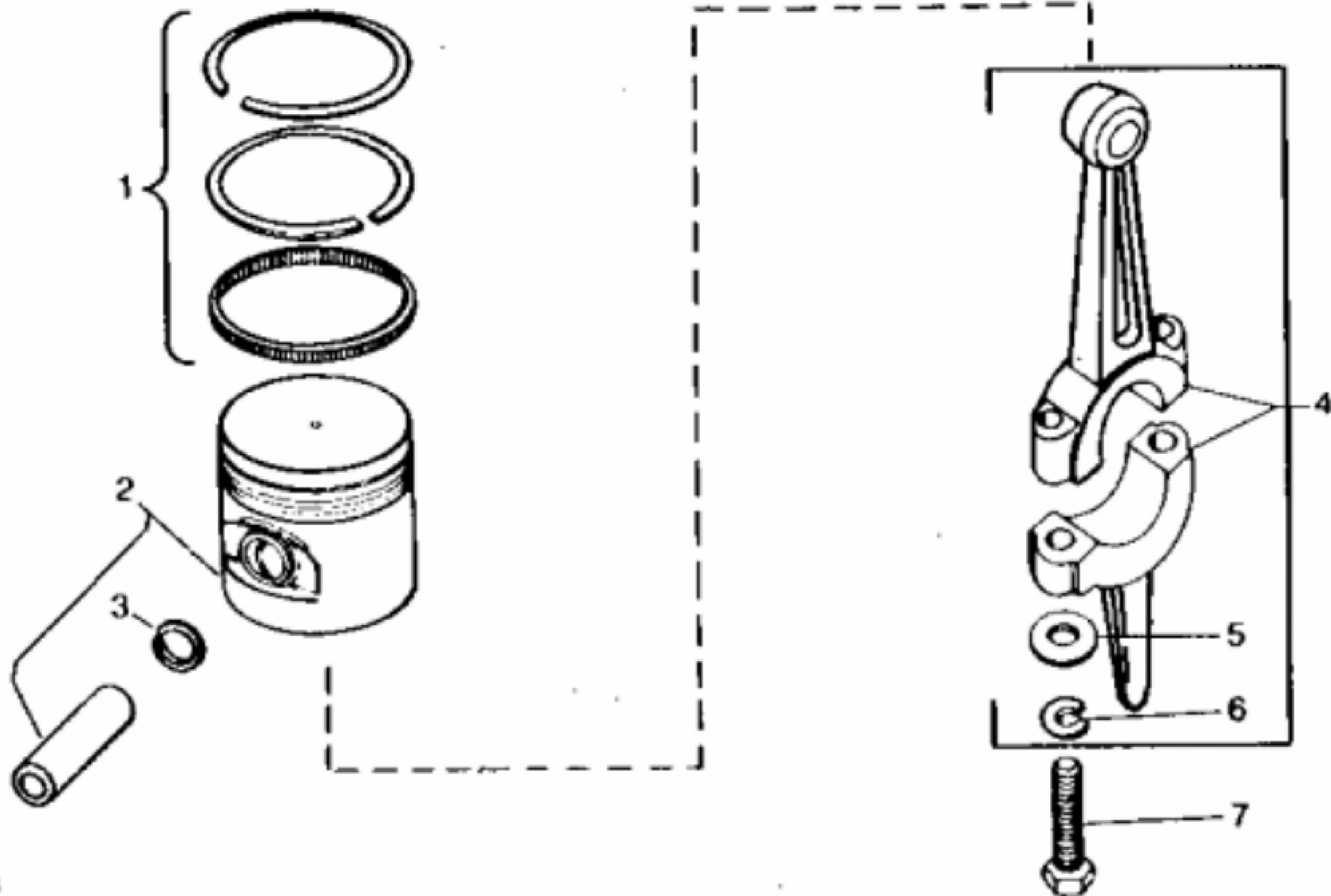
Hello dear friend!

Thank you very much for reading.

Enter the link into your browser.

The full manual is available for immediate download.

<https://www.ebooklibonline.com>



KEY	PART NO.	PART NAME	QTY	REMARKS
1	AM108854	PISTON RING KIT	1	(SUB FOR AM32080)
1	AM108733	PISTON RING KIT	1	(.254 MM) .010" OVERSIZE, (SUB FOR AM32081) (SUB AM108855)
1	AM108855	PISTON RING KIT	1	(.508 MM) .020" OVERSIZE, (SUB FOR AM32082)
1	AM108734	PISTON RING KIT	1	(.762 MM) .030" OVERSIZE, (SUB FOR AM32083)
2	AM38385	PISTON	1	(SUB FOR AM32076)
2	AM102928	PISTON	1	(.254 MM) .010" OVERSIZE, (SUB FOR AM32077)
2	AM102790	PISTON	1	(.508 MM) .020" OVERSIZE, (SUB FOR AM32078)
2	AM32079	PISTON	1	(.762 MM) .030" OVERSIZE
3	M44153	RETAINER	2	(SUB FOR M43166)
4	AM102766	CONNECTING ROD	1	(SUB FOR AM33689)
4	AM102767	CONNECTING ROD	1	(.254 MM) .010" OVERSIZE, (SUB FOR AM31581)
5	M43167	WASHER	2	
6	12H304	LOCK WASHER	2	3/8"
7	SCREW	2	(ORDER AM102766 OR AM102767)



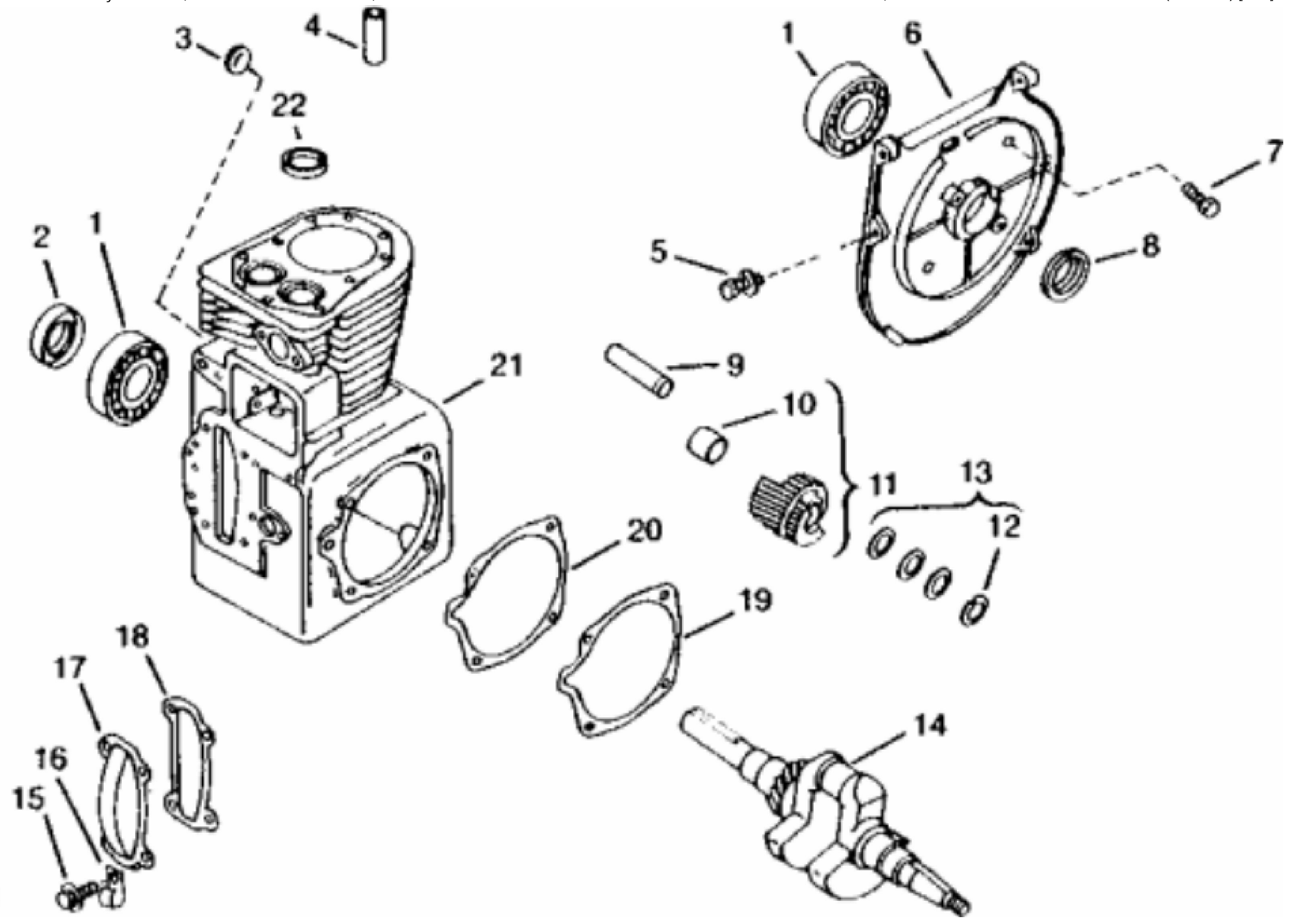
Suggest:

For more complete manuals. Please go to the home page.

<https://www.ebooklibonline.com>

If the above button click is invalid. Please download this document first, and then click the above link to download the complete manual.

Thank you so much for reading



<https://www.ebooklibonline.com>

Hello dear friend!

Thank you very much for reading.

Enter the link into your browser.

The full manual is available for immediate download.

<https://www.ebooklibonline.com>