

TP50052

John Deere > Turf And Utility > EXCAVATOR > 50ZTS - EXCAVATOR > 50ZTS Excavator > 04 ENGINE 4 > 0402 CAMSHAFT AND VALVE ACTUATING MEANS > ST296627 - ROCKER ARM SHAFT, PUSH RODS AND ROCKER ARMS

KEY	PART NO.	PART NAME	QTY	REMARKS
1	...	NUT	4	
2	5096000130	PLUG	1	SUB FOR AT255032 OR AT254823
3	8972125180	ROCKER ARM	4	SUB FOR AT254992
4	8972125200	ROCKER ARM	4	SUB FOR AT254993
5	8970104850	SET SCREW	4	SUB FOR AT254872
6	...	BOLT	5	
7	9992023140	PIPE PLUG	1	SUB FOR AT255036
8	...	GASKET	1	
9	8971181967	BRACKET	1	SUB FOR AT254936, AT261425 OR 8971181966
10	8970454103	EXHAUST VALVE	4	SUB FOR AT254898
11	8971021231	INTAKE VALVE	4	SUB FOR AT254926
12	8970346300	TAPPET	8	SUB FOR 8971243690 AND AT254940
13	8982730840	ROD	8	SUB FOR AT254913 OR 8970695753
14	8970346291	COMPRESSION SPRING	8	SUB FOR AT254880
15	8942510311	ROTATOR	8	SUB FOR AT254855
16	8942395010	RETAINER	16	SUB FOR AT254853
17	8970395260	PLUG	1	SUB FOR AT254888
18	9096785100	DOWEL PIN	1	SUB FOR AT255011
19	8970706982	PARTITION	4	SUB FOR AT254915
20	...	NUT	6	
21	8971186561	ROCKER ARM SHAFT	1	SUB FOR AT254938

<https://www.ebooklibonline.com>

Hello dear friend!

Thank you very much for reading.

Enter the link into your browser.

The full manual is available for immediate download.

<https://www.ebooklibonline.com>

KEY	PART NO.	PART NAME	QTY	REMARKS	
1	8971451981	SHAFT	1	SUB FOR AT254959 AND 8971451980	
2	9000906570	BALL BEARING	1	SUB FOR AT255004	
3	8970620480	WEAR RING	1	SUB FOR AT254909	
4	9098786260	DOWEL PIN	1	SUB FOR AT255030	
5	8943430311	BALL BEARING	1	SUB FOR AT255003 AND AT261423	
6	9091801620	SNAP RING	1	SUB FOR AT255021	
7	8971022882	GEAR	1	SUB FOR AT254927 AND 8971022880	
8	AT259949	NUT	1		
9	8971297802	SHAFT	1	SUB FOR 8971297801 AND AT254948	
10	8971297820	GEAR	1	SUB FOR AT254949	
11	5125350051	BUSHING	1	SUB FOR AT254835	
12	0280608600	BOLT	2	SUB FOR 0280908600 OR AT259934	
13	5863016380	SOLENOID	1	SUB FOR AT260059	



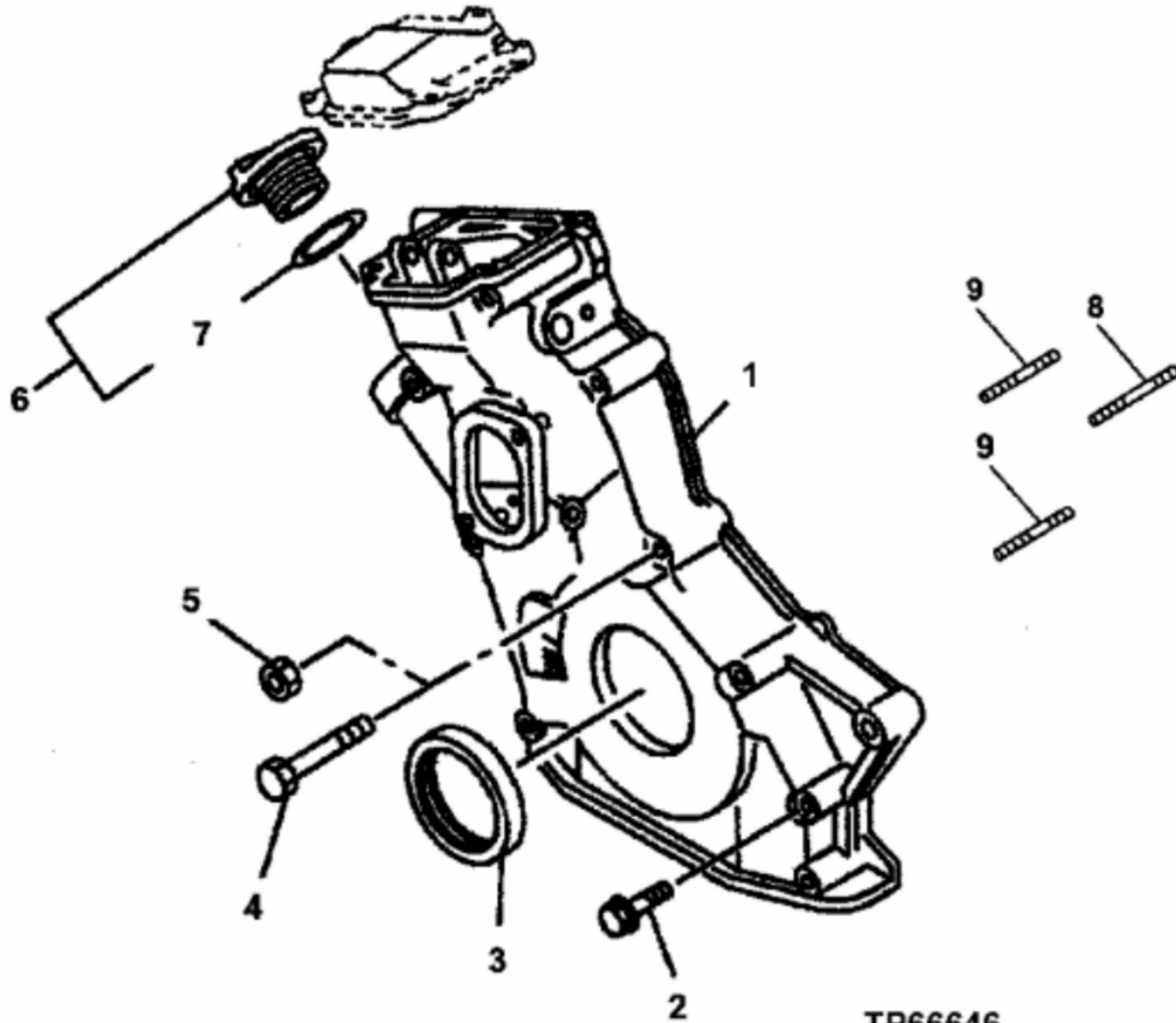
Suggest:

For more complete manuals. Please go to the home page.

<https://www.ebooklibonline.com>

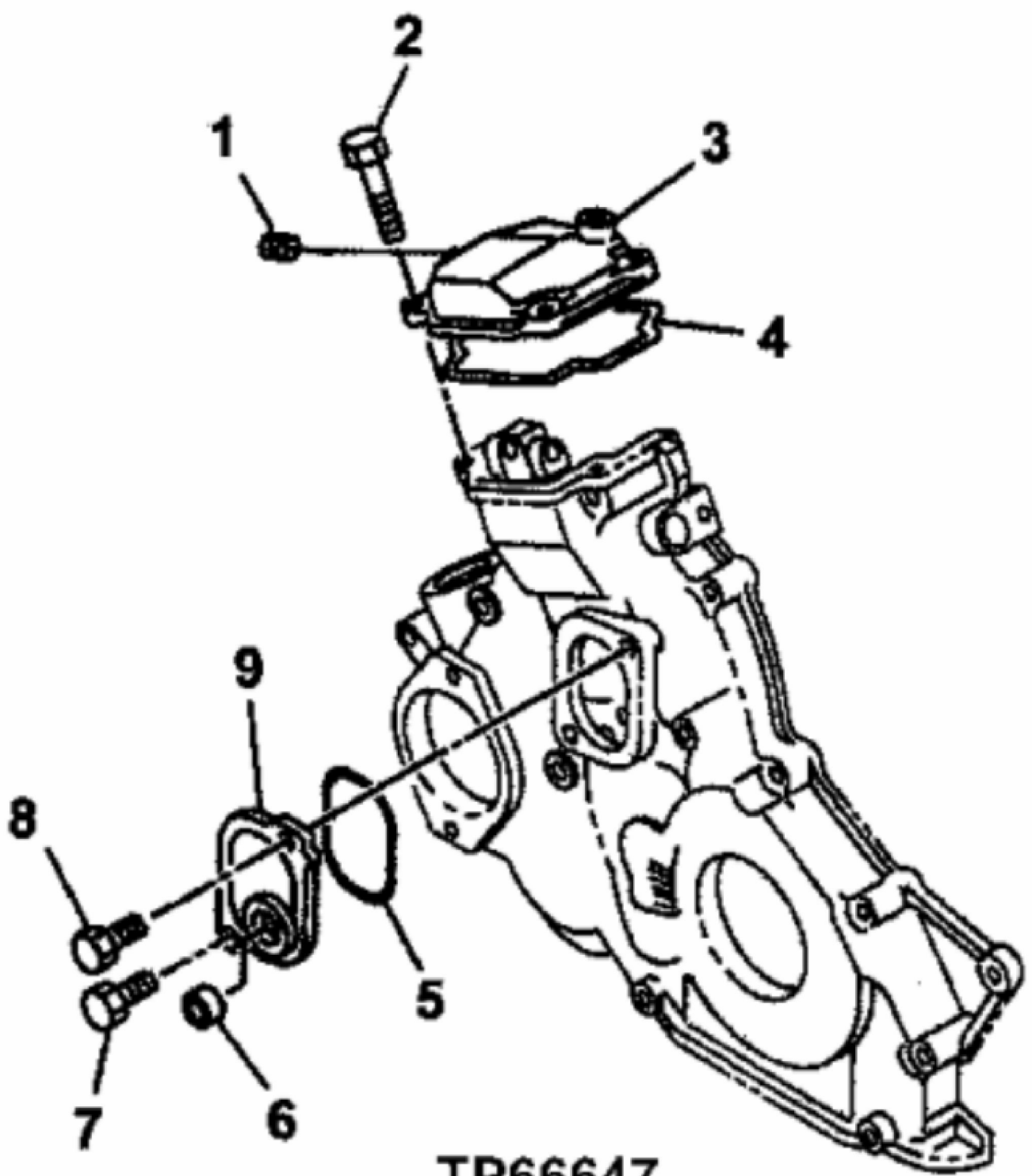
If the above button click is invalid. Please download this document first, and then click the above link to download the complete manual.

Thank you so much for reading



TP66646

KEY	PART NO.	PART NAME	QTY	REMARKS	
1	8970851331	COVER	1	SUB FOR AT254920, 8970700024, 8970700025 OR 8970851330	
2	0280608600	BOLT	2	SUB FOR 0280908600 OR AT259934	
3	8970491450	SEAL	1	SUB FOR AT254826	
4	0280808800	BOLT	6	SUB FOR AT259930	
5	14M7298	FLANGE NUT	2	M8, SUB FOR AT259945 OR 4447338	
6	8944256852	CAP	1	SUB FOR AT254869	
7	8941236231	GASKET	1	SUB FOR AT254844	
8	0410108600	STUD	1	SUB FOR AT255009 OR 9041108600	
9	8972621461	STUD	2	SUB FOR AT255008	



TP66647

<https://www.ebooklibonline.com>

Hello dear friend!

Thank you very much for reading.

Enter the link into your browser.

The full manual is available for immediate download.

<https://www.ebooklibonline.com>