

TX1040296

KEY	PART NO.	PART NAME	QTY	REMARKS	
1	AM881790	CYLINDER BLOCK	1		
4	CH10314	PLUG	1	1/8 in. PT	
5	M809565	PLUG	1		
6	CH10335	PLUG	2	1/4 in. PT	
7	CH10335	PLUG	1	1/4 in. PT	
8	CH18379	PLUG	1		
9	M801189	BOLT	10		
12	MIU800573	BUSHING	1		
13	M87801	PLUG	2		
14	CH10642	PLUG	8		
24	MIA880555	BEARING	2		
24	.....	BEARING	2	(O.S. = 0.25 mm)	
27	M801186	BOLT	18		
28	M806518	ENGINE CYLINDER HEAD GASKET	1		
29	MIA880554	BEARING	5		
29	MIA880550	BEARING	5	(U.S. = 0.25 mm)	

**<https://www.ebooklibonline.com>**

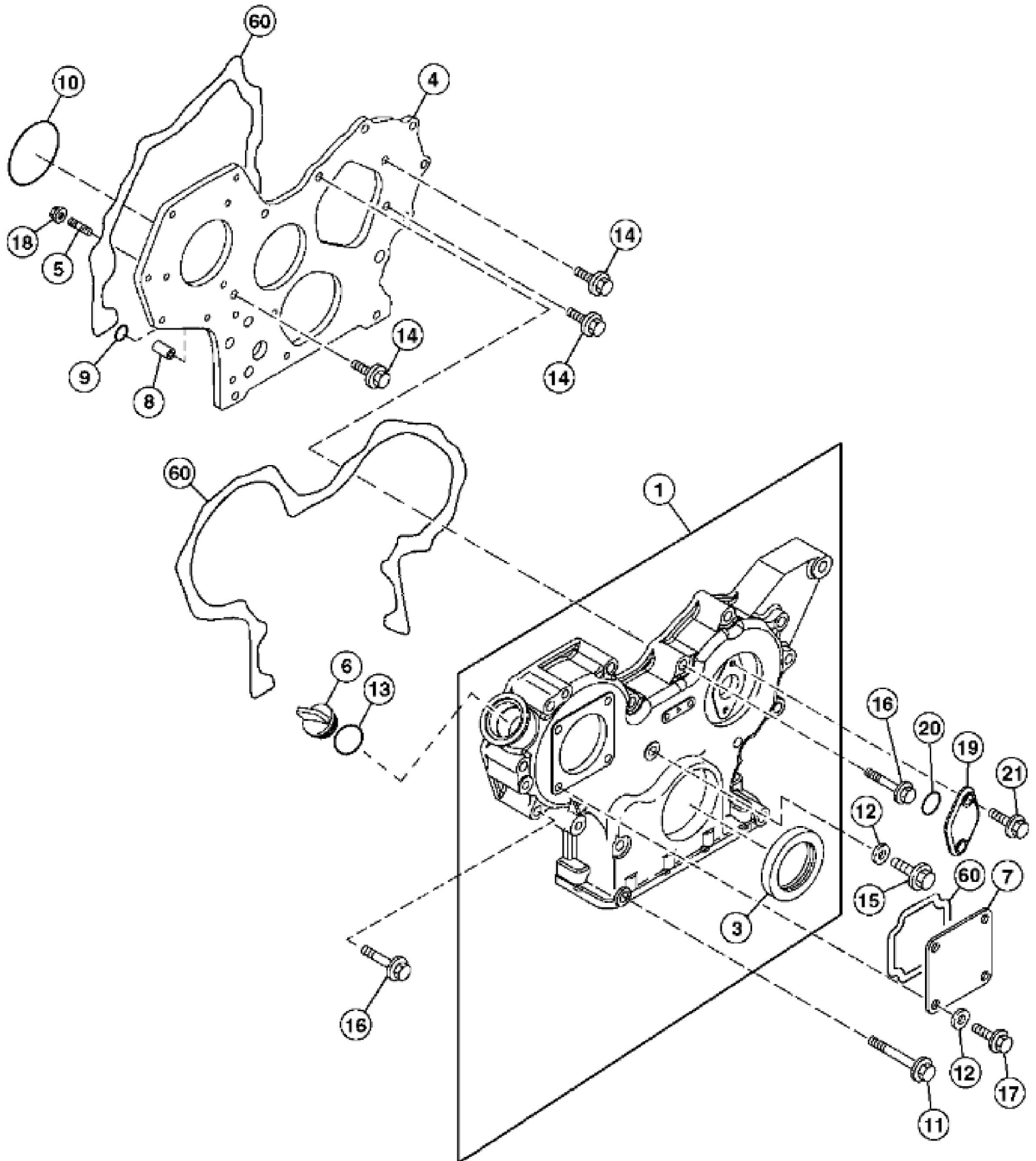
Hello dear friend!

Thank you very much for reading.

Enter the link into your browser.

The full manual is available for immediate download.

**<https://www.ebooklibonline.com>**



TX1040275

KEY	PART NO.	PART NAME	QTY	REMARKS	
1	MIA881011	GEAR CASE	1		
3	M811078	SEAL	1		
4	MIU800874	FLANGE	1		
5	MIU800440	STUD	3	M8 X 25	
6	M805710	CAP	1		
7	CH18096	COVER	1		
8	M800974	PIPE	2		
9	M810185	O-RING	2		
10	CH16940	O-RING	1		
11	RG60841	BOLT	3	M8 X 85	
12	M806424	WASHER	5		
13	M805711	PACKING	1		
14	CH18390	BOLT	3	M8 X 16	
15	CH18386	BOLT	1	M8 X 30	
16	19M7979	SCREW	12	M8 X 55	
17	CH18390	BOLT	4	M8 X 16	
18	M810186	NUT	3	M8	
19	MIU800476	COVER	1		
20	CH13526	PACKING	1		
21	M87868	BOLT	2	M6 X 16	
60	M801839	SEALANT	AR		



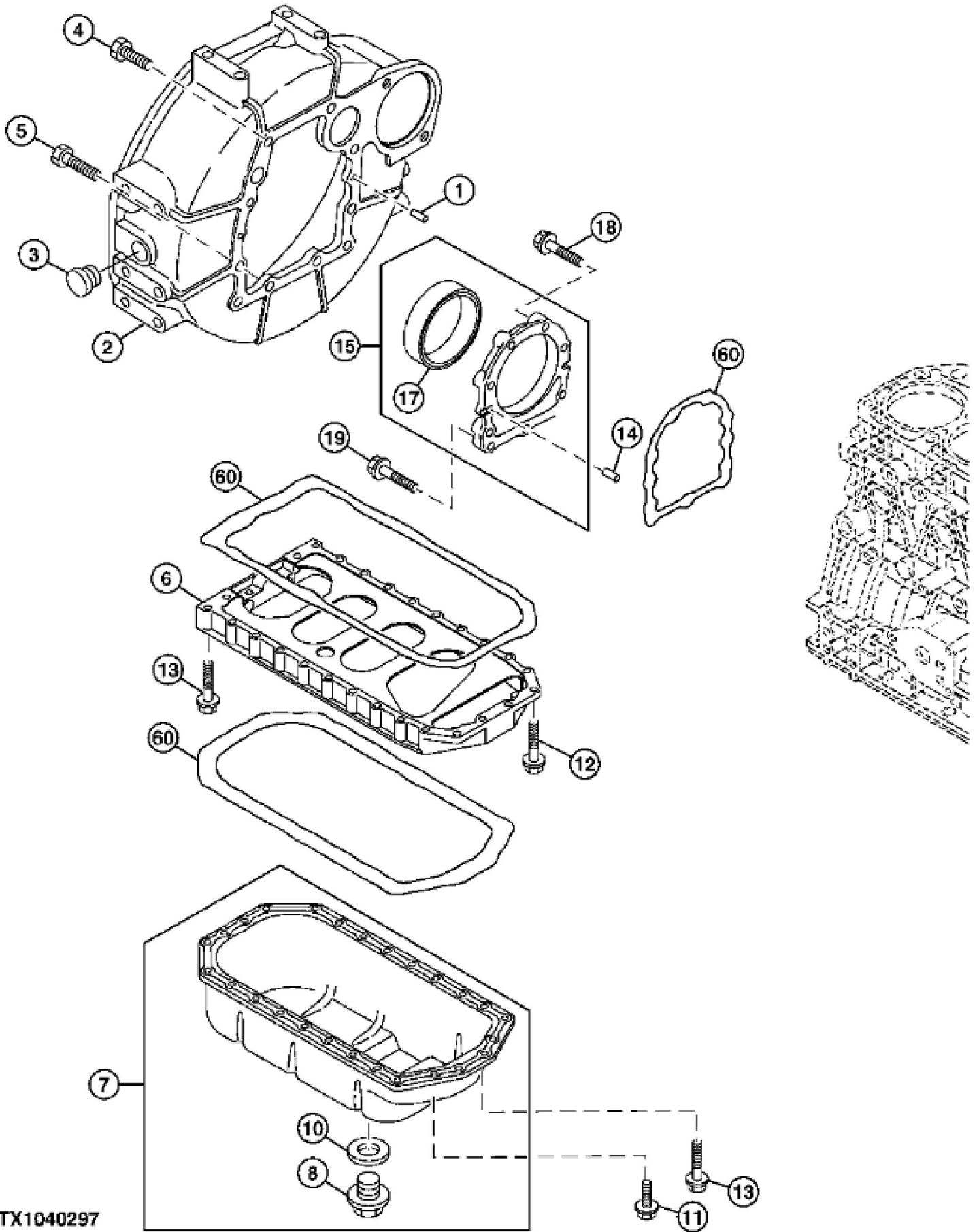
**Suggest:**

**For more complete manuals. Please go to the home page.**

**<https://www.ebooklibonline.com>**

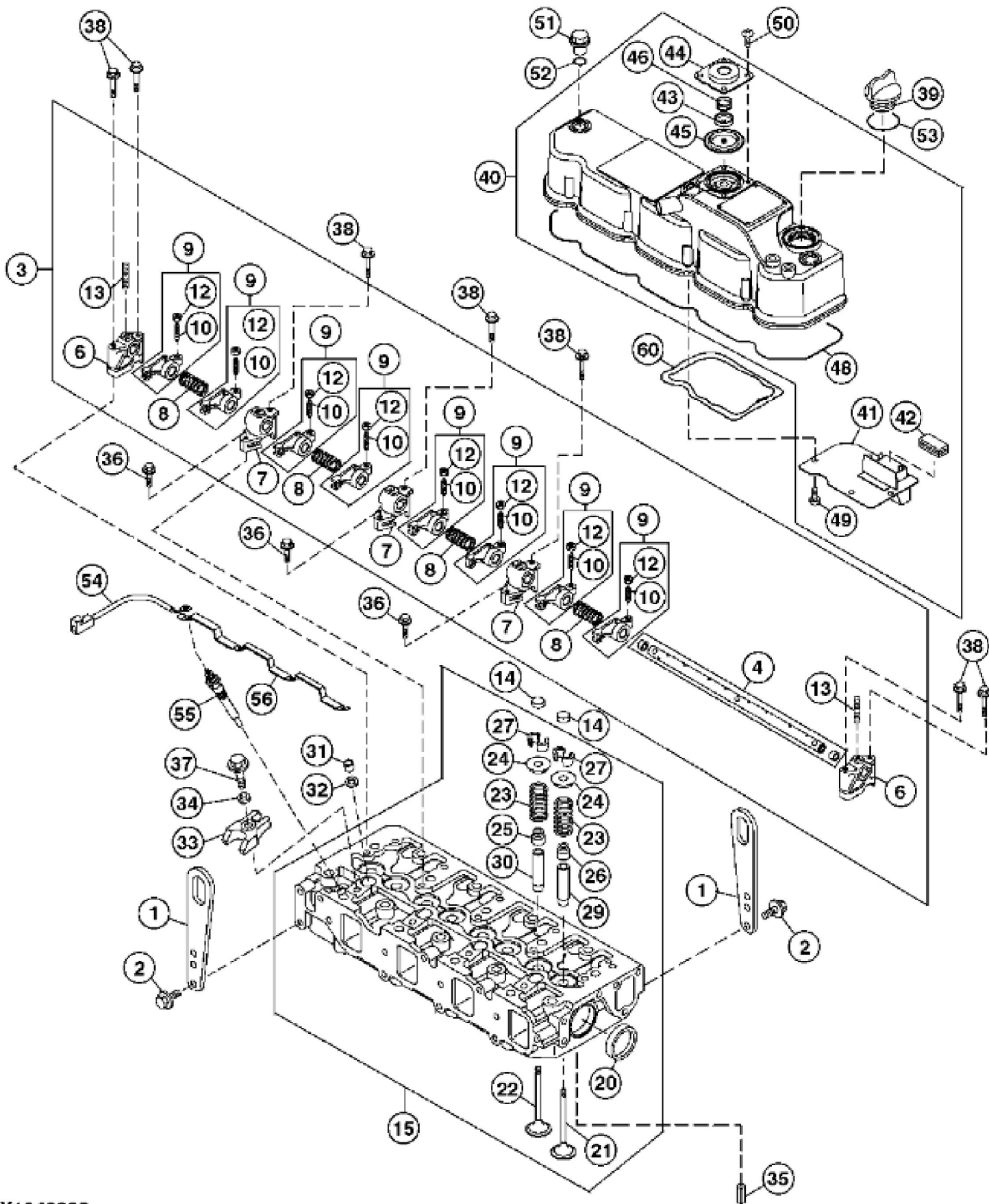
**If the above button click is invalid. Please download this document first, and then click the above link to download the complete manual.**

**Thank you so much for reading**



TX1040297

KEY	PART NO.	PART NAME	QTY	REMARKS
1	M802255	PIN	2	
2	M808276	HOUSING	1	
3	M88659	PLUG	1	
4	M800077	BOLT	6	M10 X 25
5	M801201	BOLT	4	M10 X 30
6	M801207	INTERMEDIATE HOUSING	1	
7	AM878611	RESERVOIR	1	
8	M806544	DRAIN PLUG	1	M22
10	M806545	WASHER	1	
11	CH18390	BOLT	4	M8 X 16
12	CH19085	BOLT	2	M8 X 25
13	CH19101	BOLT	24	M8 X 45
14	M802255	PIN	2	
15	MIA881006	CASE	1	
17	.....	SEAL	1	
18	M808308	BOLT	6	M8 X 30
19	CH19090	BOLT	3	M8 X 35, SUB FOR M87884
60	M801839	SEALANT	AR	



**<https://www.ebooklibonline.com>**

Hello dear friend!

Thank you very much for reading.

Enter the link into your browser.

The full manual is available for immediate download.

**<https://www.ebooklibonline.com>**