

KEY	PART NO.	PART NAME	QTY	REMARKS
0	.....	DIESEL ENGINE	1	( 4638565 NLA, SUB COMPONENTS), (SUB FOR AT318276 (ADDITIONAL COMPONENTS LISTED ON SEPARATE PAGES))
1	M801046	CAM FOLLOWER	8	
2	M801238	PUSH ROD	8	
3	AM875386	CAMSHAFT	1	
4	M801237	THRUST BEARING	1	
7	M801044	GEAR	1	
8	M801045	SHAFT KEY	1	
9	M811055	SHAFT	1	
10	AM881829	GEAR	1	
13	M811150	BUSHING	1	
14	M89128	BOLT	3	
15	M811057	GEAR	1	
16	RG60871	BOLT	4	
17	CH19780	BOLT	2	
18	.....	FLANGE	1	
19	12M7068	LOCK WASHER	1	14 mm
20	CH17448	NUT	1	
21	.....	CYLINDER BLOCK	1	(SEE SEPARATE PAGE FOR DETAIL)
22	.....	FLANGE	1	(SEE SEPARATE PAGE FOR DETAIL)
23	.....	FUEL INJECTION PUMP	1	(SEE SEPARATE PAGE FOR DETAIL)
24	AM881832	SHORT BLOCK ASSEMBLY	1	(ADDITIONAL COMPONENTS LISTED ON SEPARATE PAGES)

**<https://www.ebooklibonline.com>**

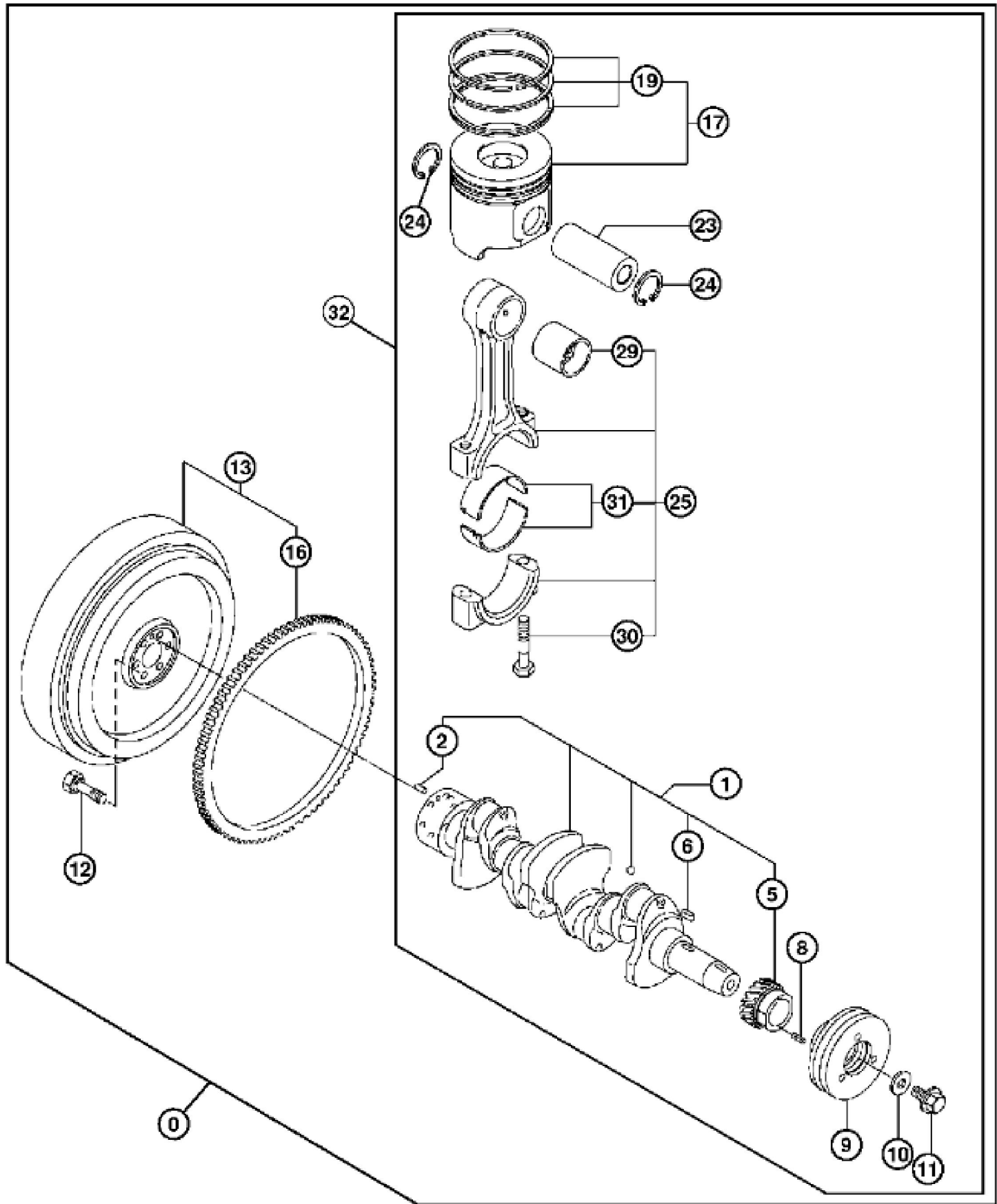
Hello dear friend!

Thank you very much for reading.

Enter the link into your browser.

The full manual is available for immediate download.

**<https://www.ebooklibonline.com>**



KEY	PART NO.	PART NAME	QTY	REMARKS
0	.....	DIESEL ENGINE	1	( 4638565 NLA, SUB COMPONENTS), (SUB FOR AT318276 (ADDITIONAL COMPONENTS LISTED ON SEPARATE PAGES))
1	.....	CRANKSHAFT	1	( 12960121001 NLA)
2	M802255	PIN	1	
5	.....	GEAR	1	( M811053 NLA)
6	M801045	SHAFT KEY	1	
8	CH15575	PIN	1	
9	M811533	PULLEY	1	
10	M801055	WASHER	1	
11	CH16798	BOLT	1	
12	CH19291	BOLT	6	
13	AM881806	FLYWHEEL	1	
16	.....	RING GEAR	1	( 11986521600 NLA)
17	AM881814	PISTON	4	
17	AM881811	PISTON	4	(.25 - OS) (ORDER SEPARATELY)
19	AM881812	PISTON RING KIT	4	
19	AM881810	PISTON RING KIT	4	(.25 - OS) (ORDER SEPARATELY)
23	M806456	PISTON PIN	4	
24	M806457	CLIP	8	
25	AM875391	CONNECTING ROD	4	
29	M801256	BEARING	4	
30	CH15483	BOLT	8	
31	AM875392	BEARING	4	
31	MIA880568	BEARING	4	(.25 - US) (ORDER SEPARATELY), (SUB FOR AM875395)
32	AM881832	SHORT BLOCK ASSEMBLY	1	(ADDITIONAL COMPONENTS LISTED ON SEPARATE PAGES)



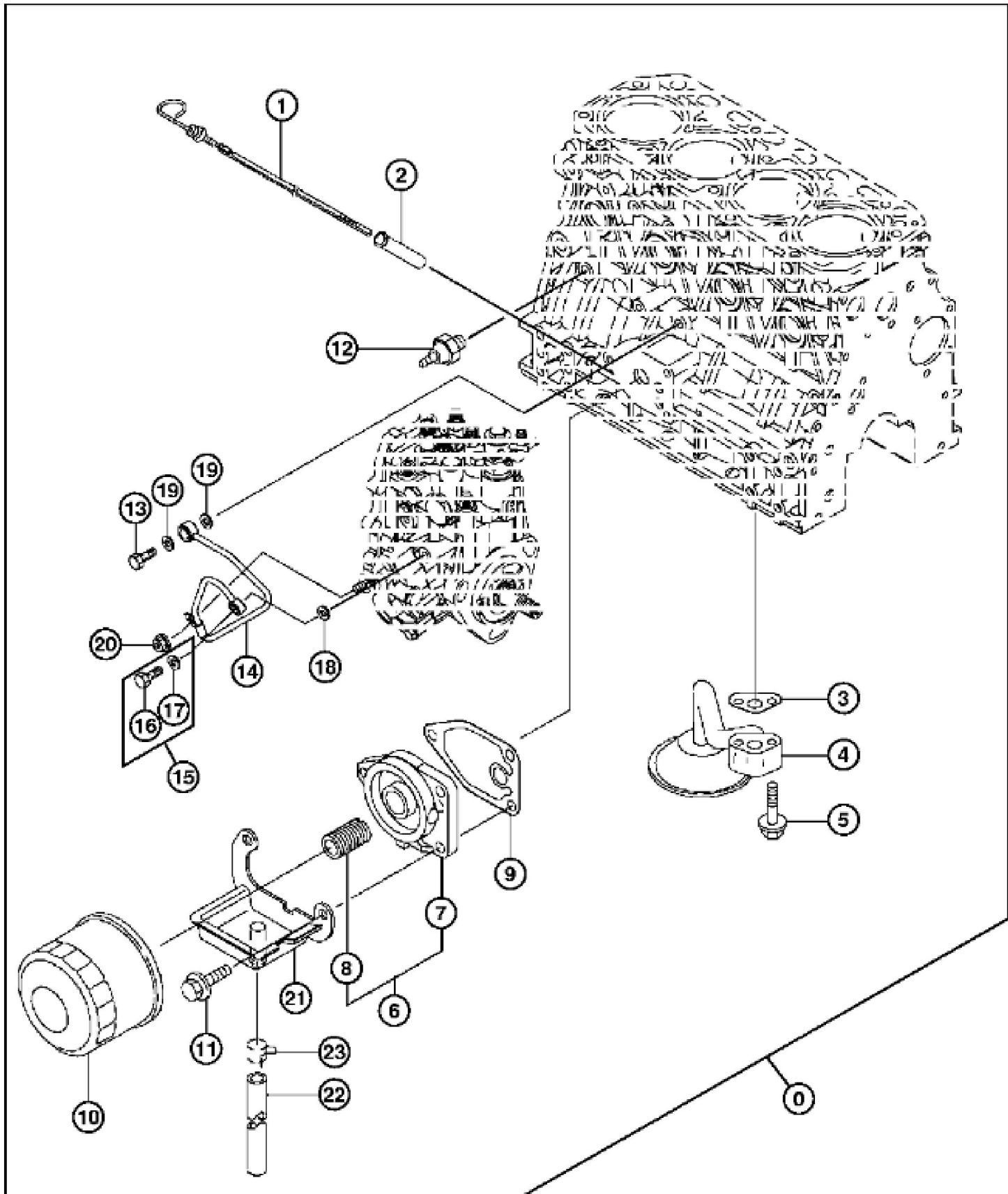
**Suggest:**

**For more complete manuals. Please go to the home page.**

**<https://www.ebooklibonline.com>**

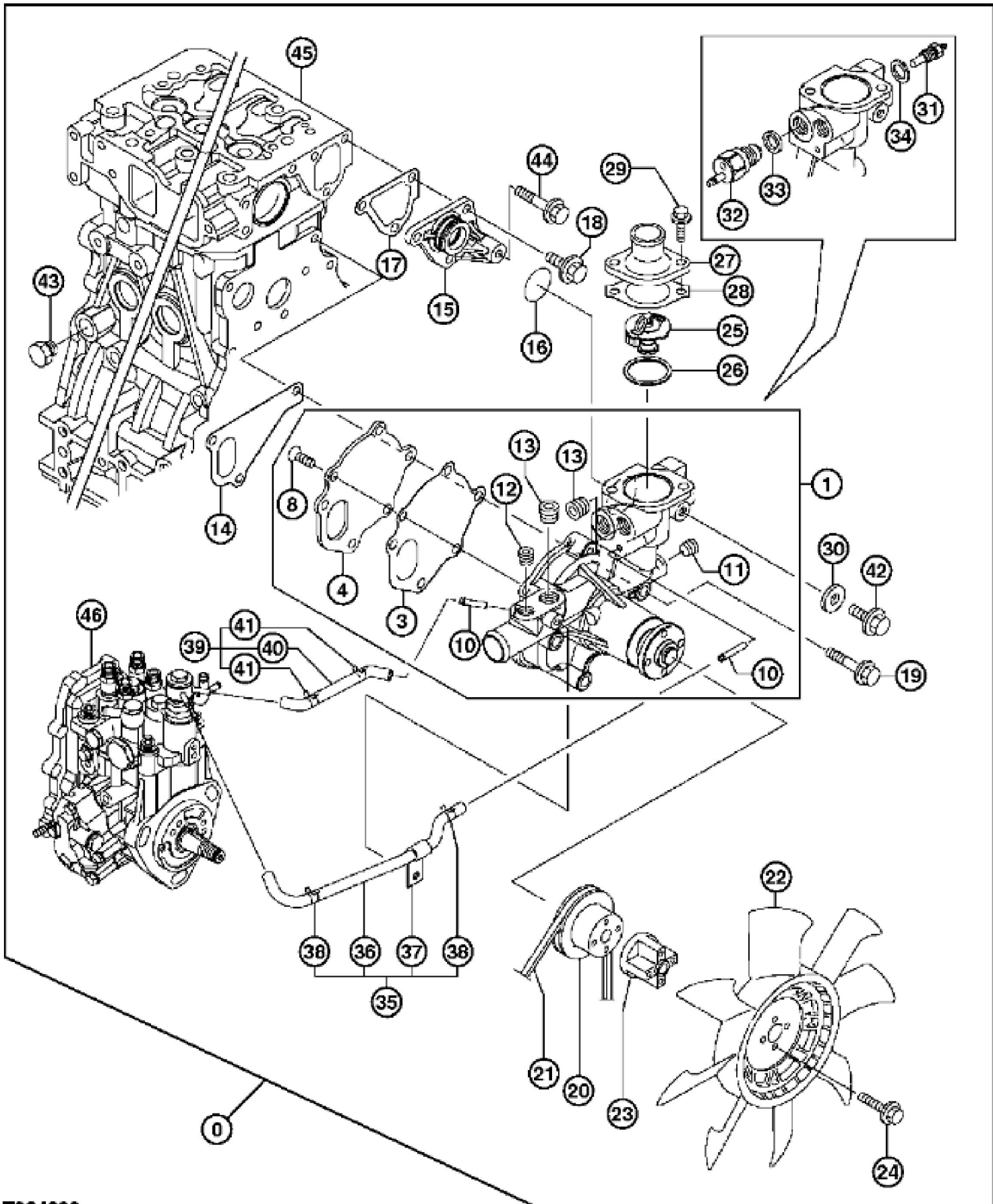
**If the above button click is invalid. Please download this document first, and then click the above link to download the complete manual.**

**Thank you so much for reading**



T204085

KEY	PART NO.	PART NAME	QTY	REMARKS
0	.....	DIESEL ENGINE	1	), Furnish Components Not Illustrated Complete Engine Assembly, (4638565 NLA, SUB FOR AT318276
1	MIU800148	DIPSTICK	1	(SUB FOR AT318126 OR MIU800026)
2	CH15495	GUIDE	1	
3	M811792	GASKET	1	
4	RG60279	OIL LINE	1	
5	CH19090	BOLT	2	(SUB FOR M87884)
6	AM881827	BRACKET	1	
7	M811062	BRACKET	1	
8	T110711	STUD	1	
9	M805830	GASKET	1	
10	MIU800651	OIL FILTER	1	122 mm Long, (SUB FOR 4641043)
10	MIU800650	OIL FILTER	1	Use for 102 mm Long Applications
11	19M7866	SCREW	3	M8 X 20, (SUB FOR CH19139)
12	M809526	SWITCH	1	
13	CH10361	BOLT	1	
14	AM881826	PIPE	1	
15	AM881809	BOLT	1	
16	CH16843	HOLLOW SCREW	1	
17	M803523	WASHER	1	
18	M803523	WASHER	1	
19	M806437	WASHER	2	
20	14M7303	FLANGE NUT	1	M6
21	AT318127	PLATE	1	
22	.....	HOSE	1	23065120230 NLA
23	.....	CLAMP	1	23080014000 NLA



**<https://www.ebooklibonline.com>**

Hello dear friend!

Thank you very much for reading.

Enter the link into your browser.

The full manual is available for immediate download.

**<https://www.ebooklibonline.com>**