

KEY	PART NO.	PART NAME	QTY	REMARKS
0	4LE2PA02	DIESEL ENGINE	1	4LE2PA02 NLA, SUB FOR 4466904
0A	4454526	FILTER ELEMENT	1	
0B	4445213	HALF SHEAVE	1	FAN BELT PULLEY
0C	8971808772	SUCTION FAN	1	SUB FOR AT197547 OR 8971808771
0D	4484695	MUFFLER	1	
2	8072298	BRACKET	1	
3	8072297	BRACKET	1	
7	19M7662	CAP SCREW	8	M10 X 30, SUB FOR AT255985
7	24M7096	WASHER	8	10.500 X 18 X 1.600 mm
7	12M7066	LOCK WASHER	8	10 mm
8	12M7068	LOCK WASHER	4	14 mm, SUB FOR J252214
9	4114404	WASHER	2	SUB FOR AT130666, SUB FOR 4086894
10	14M7435	NUT	4	M14, SUB FOR J231214
12	4272585	ISOLATOR	2	
15	4390496	ISOLATOR	4	
20	4276374	HOLDER	4	
21	19M7758	CAP SCREW	2	M12 X 130, SUB FOR 19M7415
22	24M7047	WASHER	4	13 X 24 X 2.500 mm, SUB FOR J254012
23	14M7275	NUT	2	M12
29	TY24398	BULK HOSE	1	SUB FOR 4383153
30	4339258	HOSE CLAMP	1	
31	8088410	BRACKET	1	
32	19M7938	CAP SCREW	2	M10 X 20, SUB FOR J051020
32	24M7096	WASHER	2	10.500 X 18 X 1.600 mm
32	12M7066	LOCK WASHER	2	10 mm

<https://www.ebooklibonline.com>

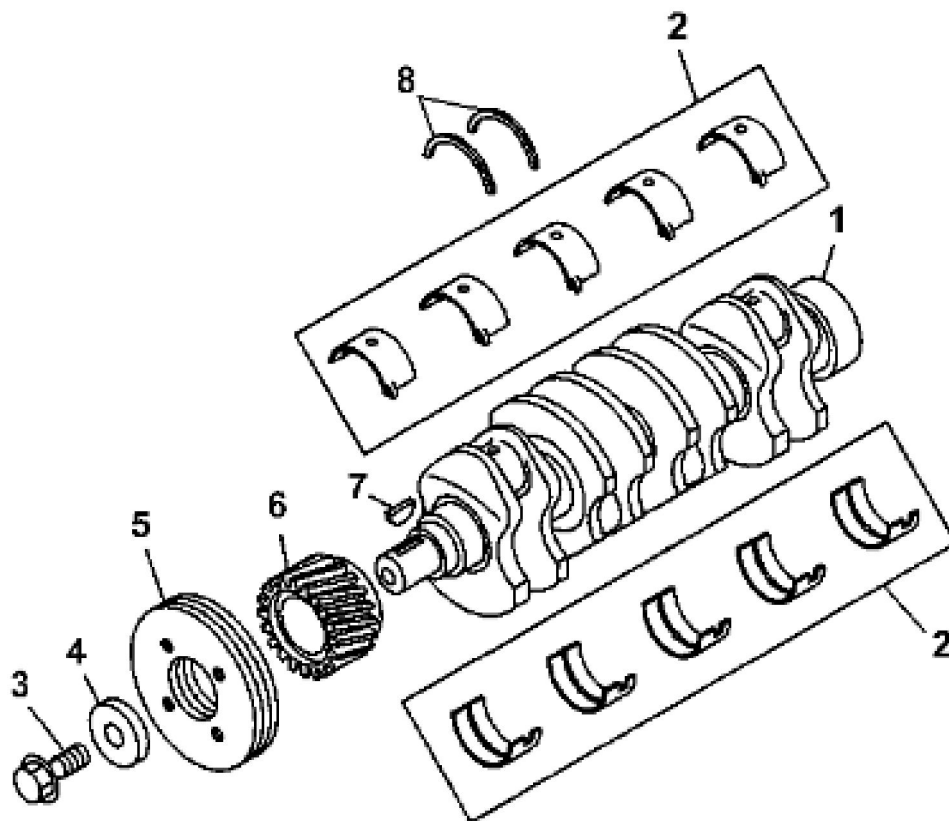
Hello dear friend!

Thank you very much for reading.

Enter the link into your browser.

The full manual is available for immediate download.

<https://www.ebooklibonline.com>



TP50054

KEY	PART NO.	PART NAME	QTY	REMARKS	
1	8980638280	CRANKSHAFT	1	SUB FOR 8972553375 OR 8972553374	
2	8980890840	CRANKSHAFT AND PISTON KIT	1	SUB FOR 8971412100 AND AT254956	
3	8943860790	BOLT	1	SUB FOR AT259977	
4	8941347920	WASHER	1	SUB FOR AT259963	
5	8973149060	PULLEY	1		
6	8973286120	GEAR	1	SUB FOR 8970345921	
7	8942016410	SHAFT KEY	1	SUB FOR AT254850	
8	8980637830	WASHER	2	SUB FOR AT254832 OR 5115990031	



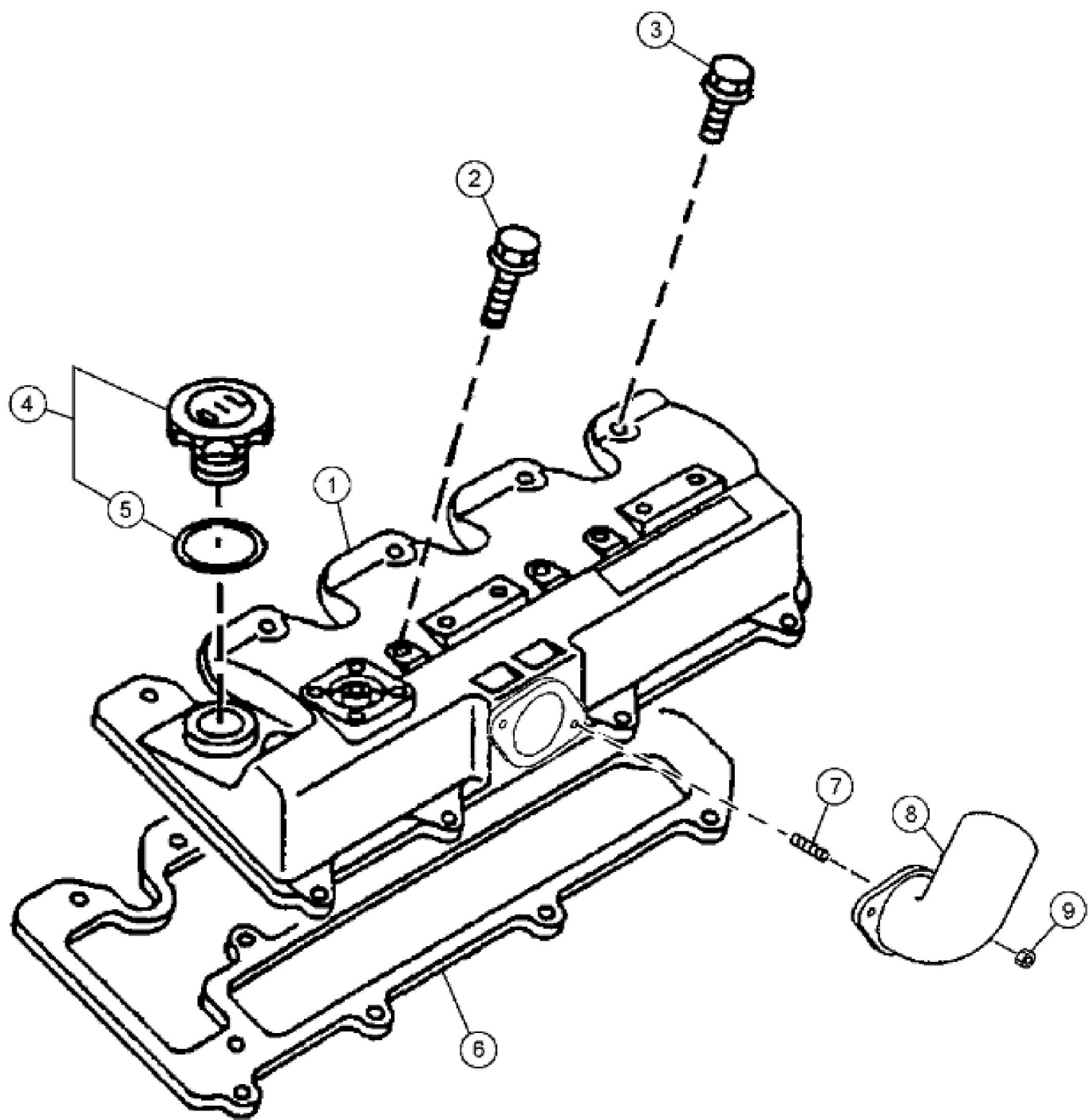
Suggest:

For more complete manuals. Please go to the home page.

<https://www.ebooklibonline.com>

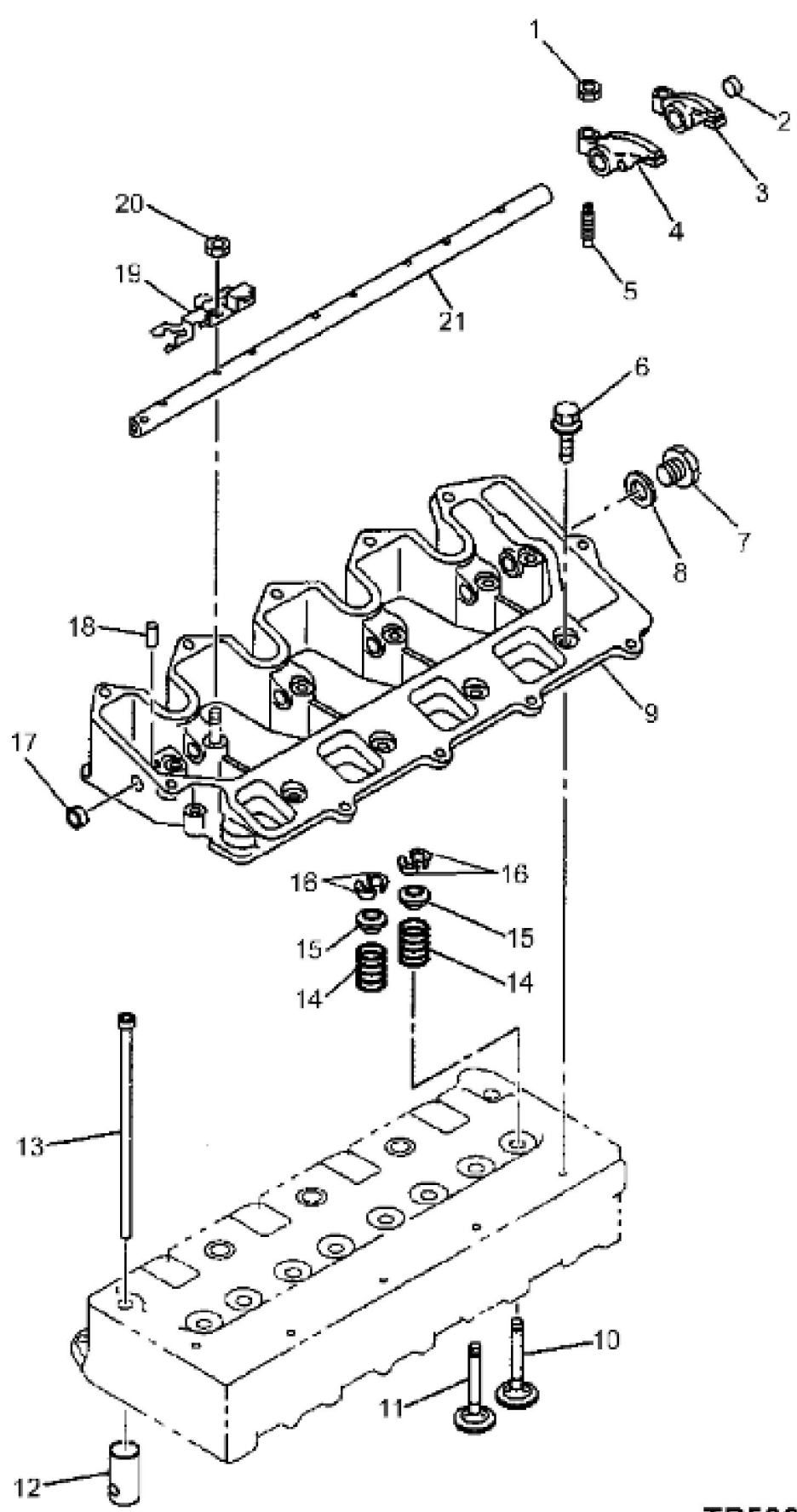
If the above button click is invalid. Please download this document first, and then click the above link to download the complete manual.

Thank you so much for reading



John Deere > Turf And Utility > EXCAVATOR > 50C - EXCAVATOR > 50C ZTS Excavator > 04 ENGINE > 0402 CAMSHAFT AND VALVE ACTUATING MEANS > ST268697 - ROCKER ARM COVER AND INTAKE MANIFOLD

KEY	PART NO.	PART NAME	QTY	REMARKS
1	8972200093	COVER	1	
2	19M8321	SCREW	4	M6 X 45, (SUB FOR AT259922)
3	0280806200	CAP SCREW	9	(SUB FOR AT259919)M6 X 20 FLANGE
4	8941332075	FILLER CAP	1	(SUB FOR AT254847)
5	8941236231	GASKET	1	(SUB FOR AT254844)ALSO INCLUDED IN ENGINE GASKET SET
6	8972014661	GASKET	1	ALSO INCLUDED IN ENGINE GASKET SET
7	0410106160	STUD	2	(SUB FOR 8972621471)
8	8973149170	LINE	1	
9	8971378360	NUT	2	(SUB FOR AT260063)M6 FLANGE



<https://www.ebooklibonline.com>

Hello dear friend!

Thank you very much for reading.

Enter the link into your browser.

The full manual is available for immediate download.

<https://www.ebooklibonline.com>