

RGP11540

KEY	PART NO.	PART NAME	QTY	REMARKS	
1	AM882051	SHORT BLOCK ASSEMBLY	1		
2	AM881997	CYLINDER BLOCK	1		
3	M801046	CAM FOLLOWER	6		
4	RG61063	CAMSHAFT	1		
5	AM881984	CRANKSHAFT	1		
6	AM881985	PISTON	3		
7	M806430	PISTON PIN	3		
8	RG60161	SNAP RING	6		
9	AM875320	CONNECTING ROD	3		
10	AM881829	GEAR	1		
11	CH19780	BOLT	2		

<https://www.ebooklibonline.com>

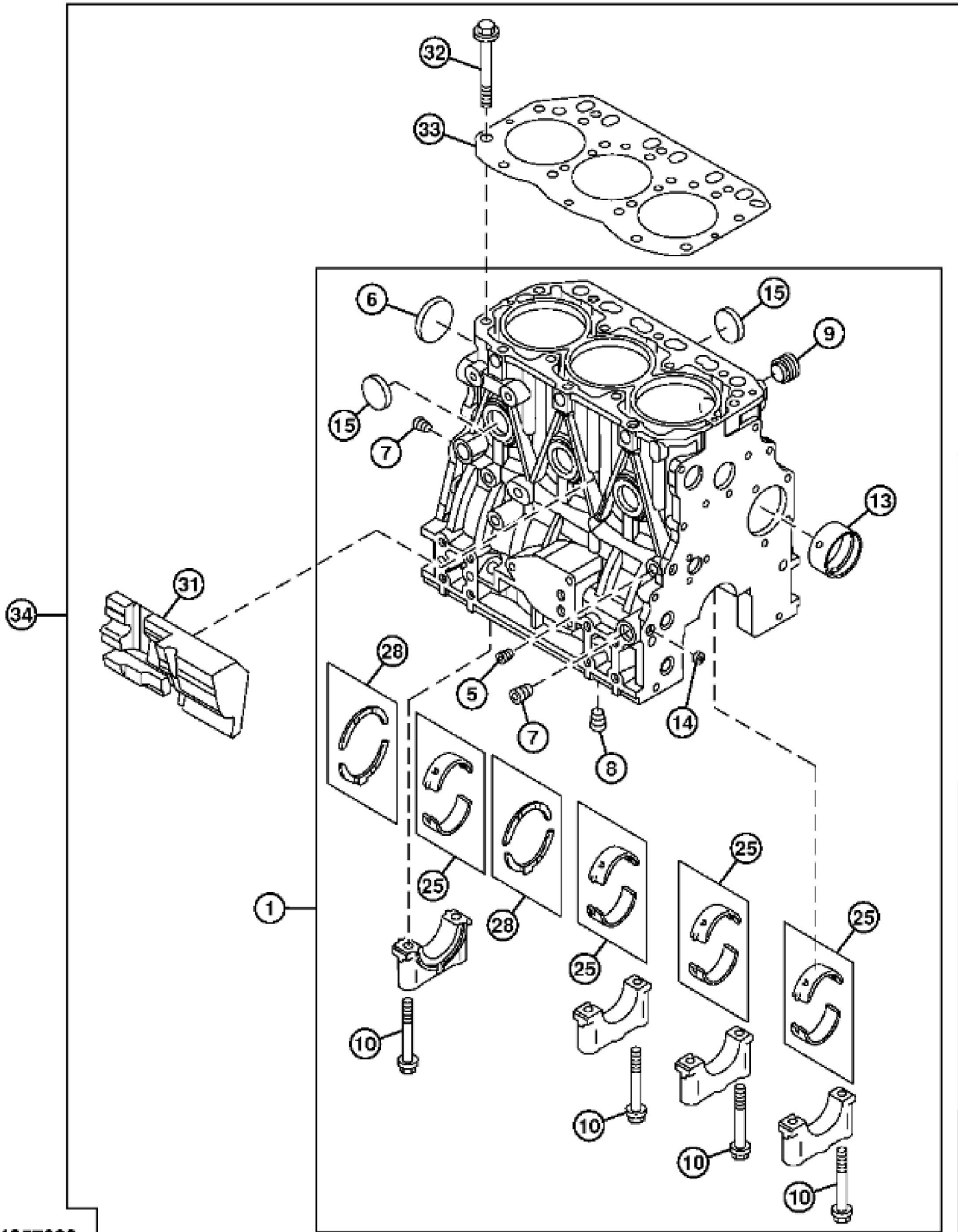
Hello dear friend!

Thank you very much for reading.

Enter the link into your browser.

The full manual is available for immediate download.

<https://www.ebooklibonline.com>



KEY	PART NO.	PART NAME	QTY	REMARKS
1	AT318108	CYLINDER BLOCK	1	
5	CH10314	PLUG	2	
6	DRAIN PLUG	1	(50) (M809565 NLA)
7	CH10335	PLUG	10	
8	CH10335	PLUG	1	
9	15H562	PIPE PLUG	1	1"
10	M801189	BOLT	8	
13	MIU800573	CAMSHAFT	8	(SUB FOR M800977)
14	DRAIN PLUG	8	(30) NLA
15	30M7023	PLUG	6	
25	AM881821	BEARING	4	
25	MIA880550	BEARING	4	(.25 - US) (ORDER SEPARATELY - NOT CONTAINED IN CYLINDER BLOCK ASSEMBLY), (.25 - US) (SUB FOR AM875374)
28	AM875373	BEARING KIT	2	(.25 - OS)
31	M811084	SPACER	1	
32	M801186	BOLT	14	
33	M806811	ENGINE CYLINDER HEAD GASKET	1	
34	MIA882689	SHORT BLOCK ASSEMBLY	1	(ADDITIONAL COMPONENTS LISTED ON SEPARATE PAGES), SUB FOR AM882171



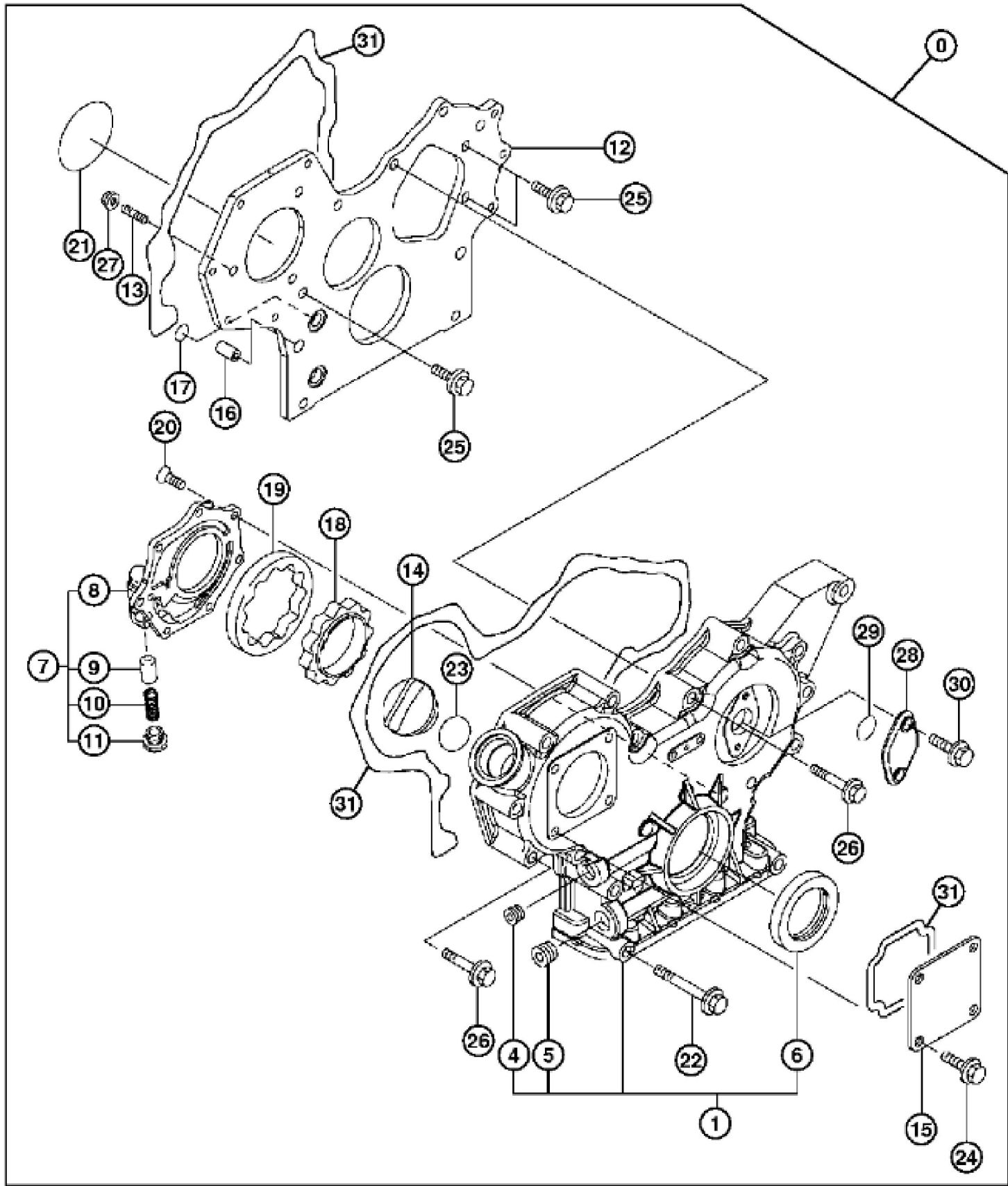
Suggest:

For more complete manuals. Please go to the home page.

<https://www.ebooklibonline.com>

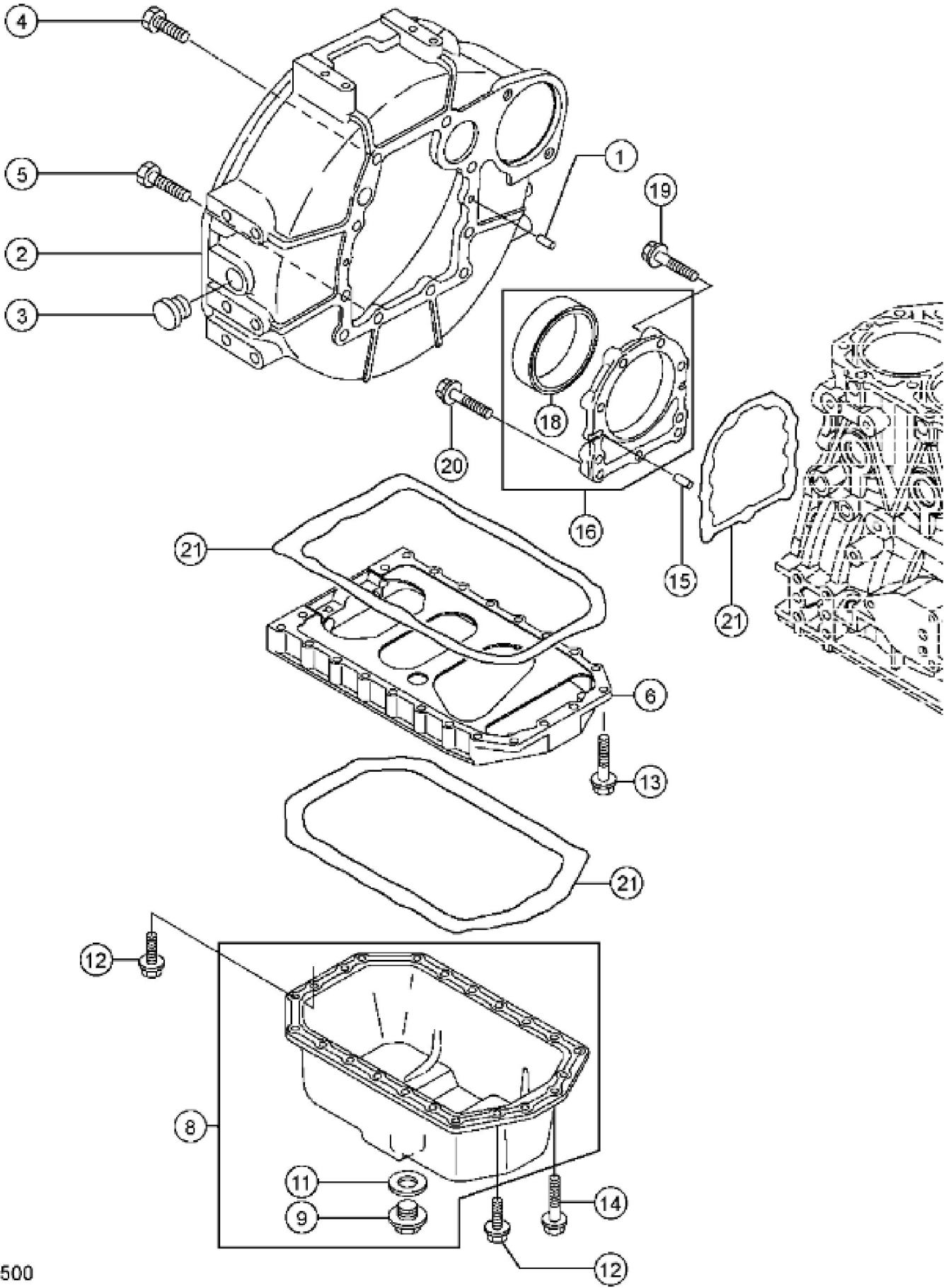
If the above button click is invalid. Please download this document first, and then click the above link to download the complete manual.

Thank you so much for reading



T204053

KEY	PART NO.	PART NAME	QTY	REMARKS
0	DIESEL ENGINE	1	Diesel Engine, NLA, SUB FOR AT318275
0	MIA882689	SHORT BLOCK ASSEMBLY	1	(ADDITIONAL COMPONENTS LISTED ON SEPARATE PAGES), SUB FOR 4638564, 3TNV88NHBB, AM882171
1	RG61100	HOUSING	1	(SUB FOR AT318111)
4	PLUG	1	
5	PLUG	1	
6	M800988	SEAL	1	
7	AM881828	COVER	1	
8	M811058	COVER	1	
9	M811140	PRESSURE RELIEF VALVE	1	
10	RG60607	SPRING	1	
11	PLUG	1	
12	M811042	FLANGE	1	
13	STUD	3	(M8 X 25)
14	M805710	CAP	1	
15	CH18096	COVER	1	
16	M800974	PIPE	2	
17	M810185	O-RING	4	
18	M811059	ROTOR	1	(INNER)
19	M811060	ROTOR	1	(OUTER)
20	M811061	SCREW	7	
21	CH16940	O-RING	1	
22	RG60841	BOLT	3	
23	M805711	PACKING	1	
24	19M7865	SCREW	4	M8 X 16
25	19M7865	SCREW	3	M8 X 16
26	19M7979	SCREW	12	M8 X 55
27	14M7298	FLANGE NUT	3	M8
28	MIU800476	COVER	1	(SUB FOR M87874)
29	CH13526	PACKING	1	
30	19M7775	SCREW	2	M6 X 16
31	M801839	SEALANT	AR	



T204500

<https://www.ebooklibonline.com>

Hello dear friend!

Thank you very much for reading.

Enter the link into your browser.

The full manual is available for immediate download.

<https://www.ebooklibonline.com>