

T158344

KEY	PART NO.	PART NAME	QTY	REMARKS
1	8972192191	FLYWHEEL	1	SUB FOR AT260091 OR 8972192190
2	8944196021	GEAR	1	SUB FOR AT254867
3	8970232680	WASHER	6	SUB FOR AT259989
4	8941333281	BOLT	6	SUB FOR AT259962
5	8970447774	CRANKSHAFT	1	SUB FOR AT259996 OR 8970447773
6	8980890850	BEARING	1	SUB FOR AT260009 OR 8970470210
7	8980637830	WASHER	2	SUB FOR AT254832 OR 5115990031
8	8942016410	SHAFT KEY	1	SUB FOR AT254850
9	8973286120	GEAR	1	SUB FOR 8970345921
10	8973149030	PULLEY	1	
11	8941347920	WASHER	1	SUB FOR AT259963
12	8943860790	BOLT	1	SUB FOR AT259977
14	8973103510	ROD	3	
15	8980519280	BEARING	3	SUB FOR 8941560840
16	8942242362	NUT	6	SUB FOR AT259970
17	8942162064	BOLT	6	SUB FOR AT259968
18	8973103520	BUSHING	3	
19	8941140491	SNAP RING	6	SUB FOR AT254843
20	5122110210	PIN	3	SUB FOR AT259956
21	8972355560	PISTON	3	STD
21	8972355530	PISTON	3	OS 0.25
22	8971135030	RING	3	STD, SUB FOR AT260043
22	8971412050	RING	3	OS 0.25, SUB FOR AT260064

**<https://www.ebooklibonline.com>**

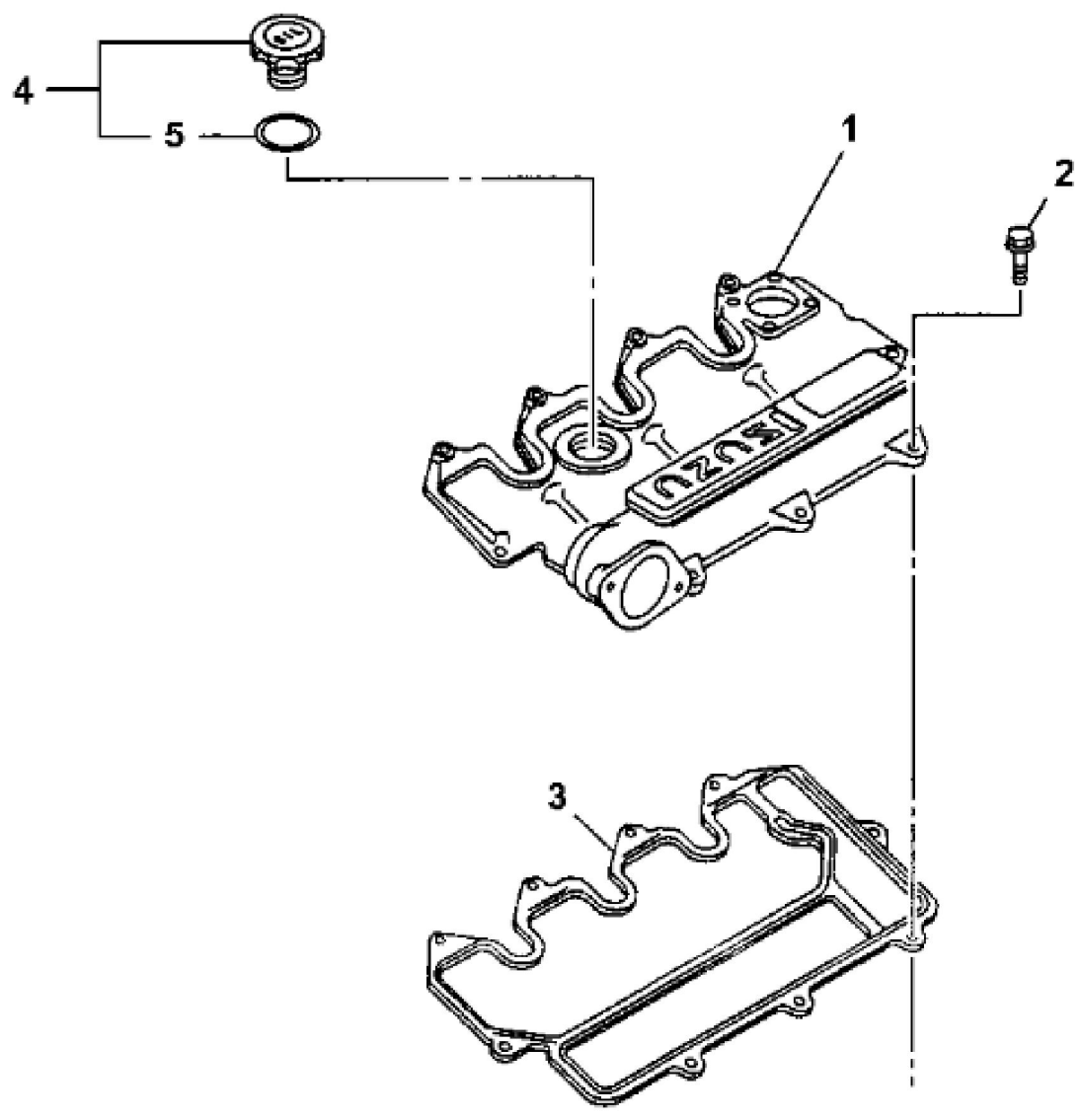
Hello dear friend!

Thank you very much for reading.

Enter the link into your browser.

The full manual is available for immediate download.

**<https://www.ebooklibonline.com>**



TP50248

KEY	PART NO.	PART NAME	QTY	REMARKS	
1	8973149230	COVER	1		
2	0280806200	CAP SCREW	9	(SUB FOR AT259919)	
3	8971952722	GASKET	1		
4	8941332075	FILLER CAP	1	(SUB FOR AT254847)	
5	8941236231	GASKET	1	(SUB FOR AT254844)	



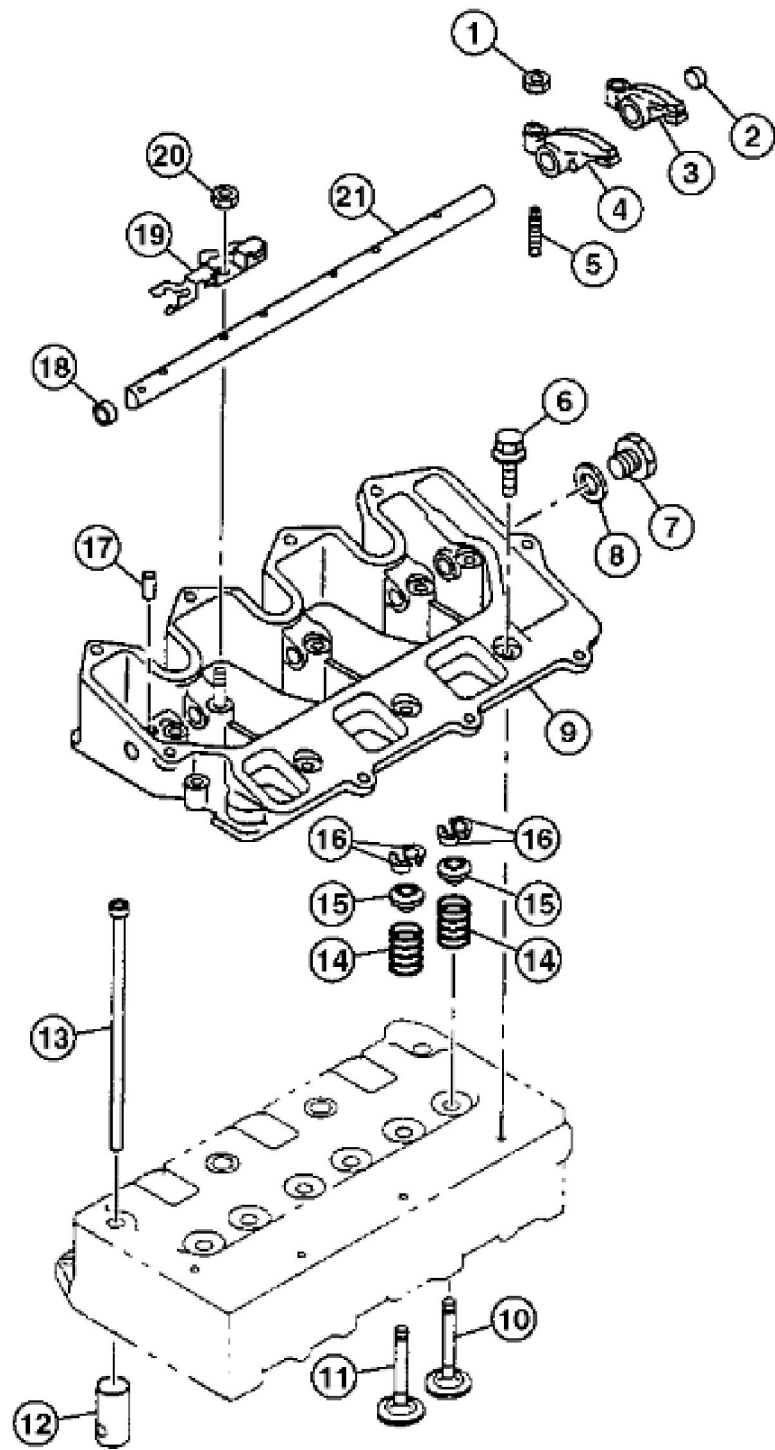
**Suggest:**

**For more complete manuals. Please go to the home page.**

**<https://www.ebooklibonline.com>**

**If the above button click is invalid. Please download this document first, and then click the above link to download the complete manual.**

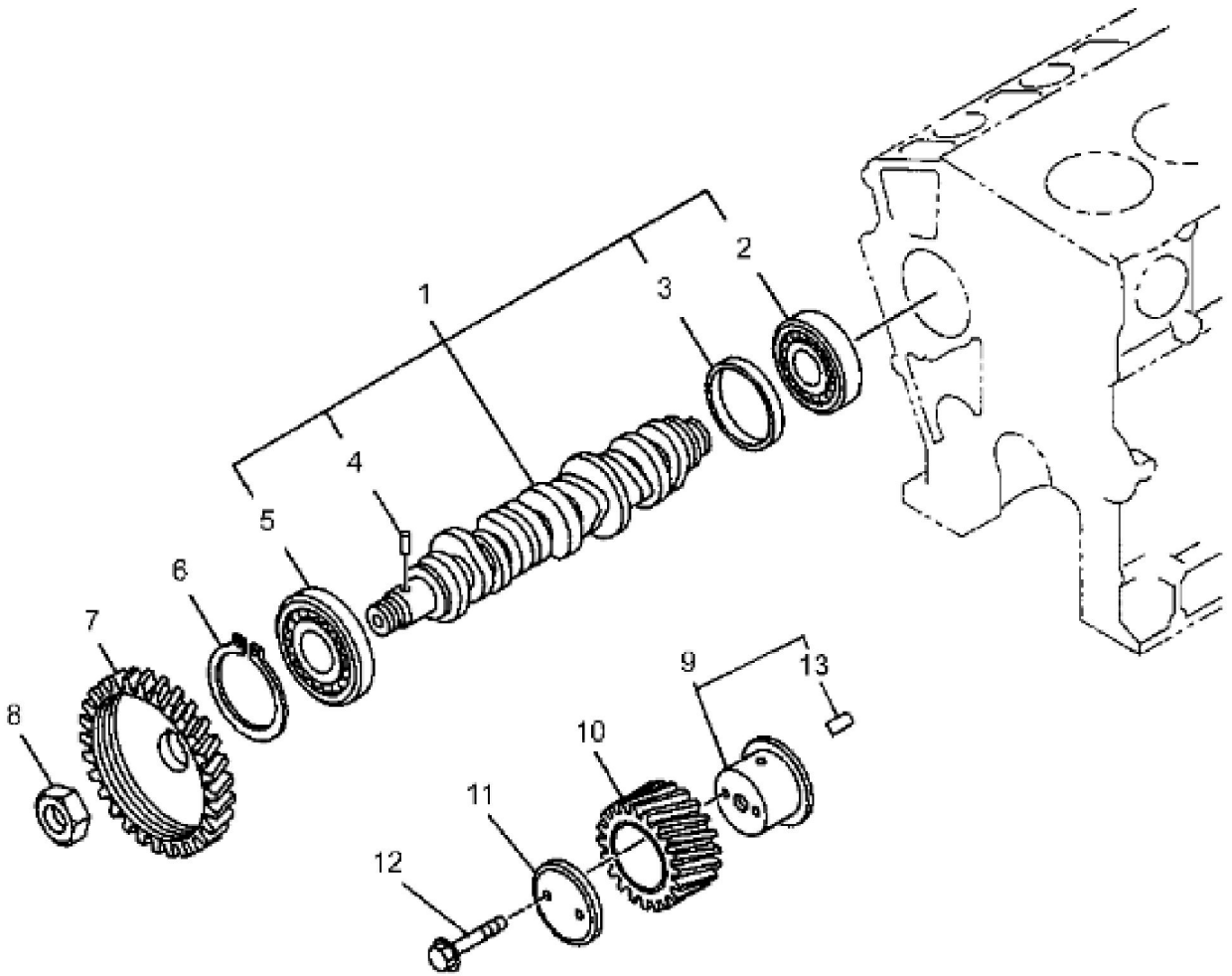
**Thank you so much for reading**



TX1007191

John Deere > Turf And Utility > EXCAVATOR > 35C - EXCAVATOR > 35C ZTS Excavator > 04 ENGINE > 0402 CAMSHAFT AND VALVE ACTUATING MEANS > ST268133 - ROCKER ARM SHAFT, PUSH RODS AND ROCKER ARMS

KEY	PART NO.	PART NAME	QTY	REMARKS
1	9091114060	NUT	6	SUB FOR AT255017
2	8970395260	PLUG	1	SUB FOR AT254888
2	8972334290	PLUG	1	
3	8972125200	ROCKER ARM	3	SUB FOR AT254993
4	8972125180	ROCKER ARM	3	SUB FOR AT254992
5	8970104850	SET SCREW	6	SUB FOR AT254872
6	0280806250	BOLT	4	M6 X 25 FLANGE, SUB FOR AT259920
6	0280506500	BOLT	4	M6 X 50 FLANGE, SUB FOR 0280806500 OR AT259923
7	9992023140	PIPE PLUG	1	SUB FOR AT255036
8	8941583280	GASKET	1	SUB FOR AT261422
9	8971951014	BRACKET	1	
10	8970454103	EXHAUST VALVE	3	SUB FOR AT254898
11	8971021231	INTAKE VALVE	3	SUB FOR AT254926
12	8970346300	TAPPET	6	SUB FOR 8971243690 AND AT254940
13	8982730840	ROD	6	SUB FOR AT254913 OR 8970695753
14	8970346291	COMPRESSION SPRING	6	SUB FOR AT254880
15	8942510311	ROTATOR	6	SUB FOR AT254855
16	8942395010	RETAINER	12	SUB FOR AT254853
17	9096785100	DOWEL PIN	1	SUB FOR AT255011
18	5096000130	SEAL	1	
19	8970706982	PARTITION	4	SUB FOR AT254915
20	8971378360	NUT	5	SUB FOR AT260063
21	8970704651	ROCKER ARM SHAFT	1	SUB FOR AT260019



**<https://www.ebooklibonline.com>**

Hello dear friend!

Thank you very much for reading.

Enter the link into your browser.

The full manual is available for immediate download.

**<https://www.ebooklibonline.com>**