

| KEY | PART NO. | PART NAME | QTY | REMARKS |
|-----|-----------|-----------------------------|-----|---------------------|
| 1 | | CYLINDER BLOCK | 1 | NLA |
| 4 | CH10314 | PLUG | 1 | |
| 5 | M809565 | DRAIN PLUG | 1 | |
| 6 | CH10335 | PLUG | 2 | |
| 7 | CH10335 | PLUG | 1 | |
| 8 | 15H562 | PIPE PLUG | 1 | 1", SUB FOR CH18379 |
| 9 | M801189 | BOLT | 8 | |
| 12 | MIU800573 | CAMSHAFT | 1 | |
| 13 | M87801 | PLUG | 2 | |
| 14 | 30M7023 | PLUG | 6 | SUB FOR CH10642 |
| 24 | MIA880555 | BEARING | 2 | |
| 27 | M801186 | BOLT | 14 | |
| 28 | M806811 | ENGINE CYLINDER HEAD GASKET | 1 | |
| 29 | MIA880554 | BEARING | 4 | Spare |
| 32 | MIA880550 | BEARING | 4 | Undersized, 0.25 |
| 35 | MIA882809 | BEARING KIT | 1 | Oversized, 0.25 |

<https://www.ebooklibonline.com>

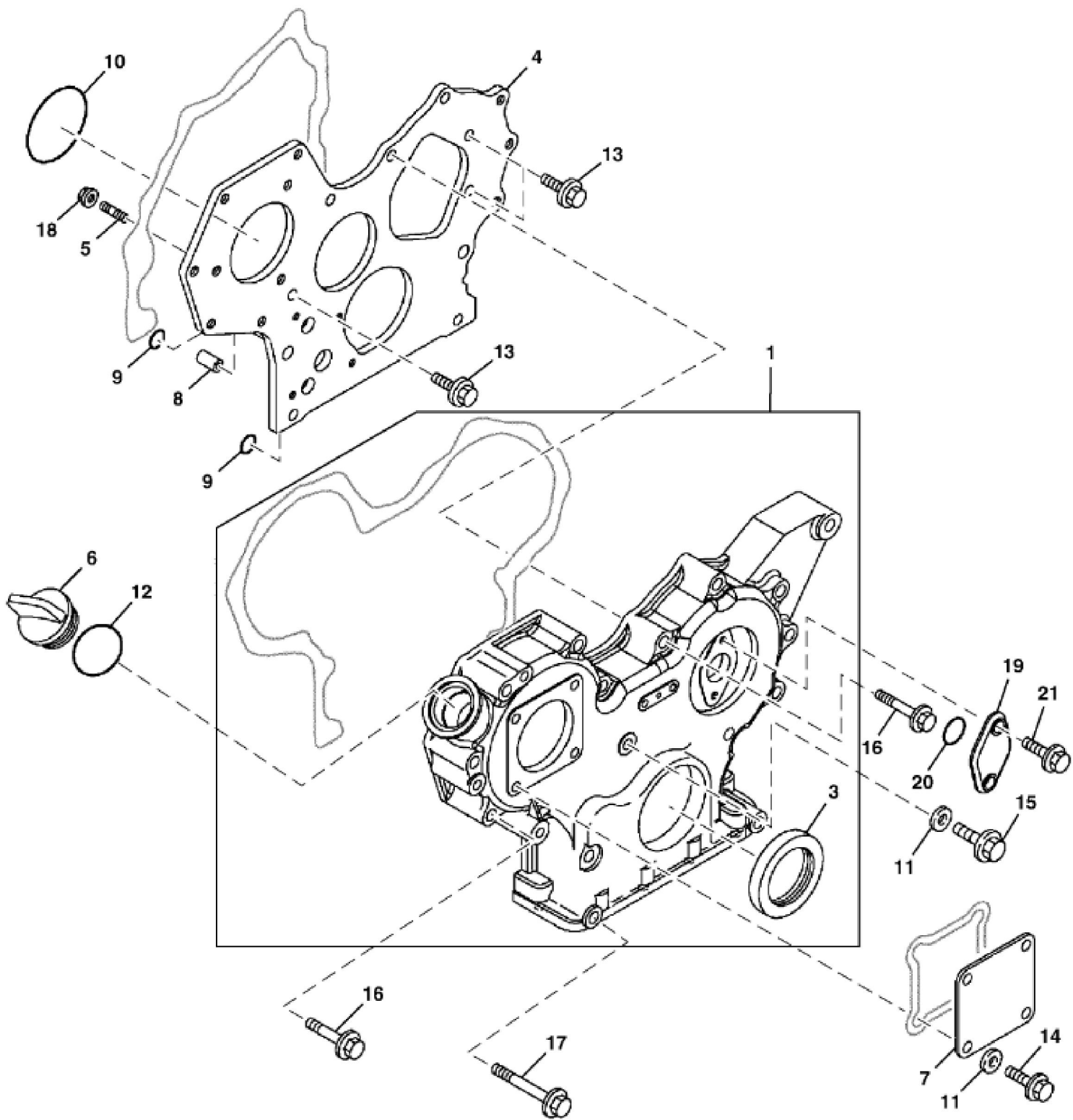
Hello dear friend!

Thank you very much for reading.

Enter the link into your browser.

The full manual is available for immediate download.

<https://www.ebooklibonline.com>



TX1127953

| KEY | PART NO. | PART NAME | QTY | REMARKS |
|-----|-----------|------------|-----|--------------------------|
| 1 | MIA881011 | GEAR CASE | 1 | |
| 3 | M811078 | SEAL | 1 | |
| 4 | MIU800874 | FLANGE | 1 | |
| 5 | MIU800440 | STUD | 3 | |
| 6 | M805710 | CAP | 1 | |
| 7 | CH18096 | COVER | 1 | |
| 8 | M800974 | PIPE | 2 | |
| 9 | M810185 | O-RING | 2 | |
| 10 | CH16940 | O-RING | 1 | |
| 11 | M803523 | WASHER | 5 | SUB FOR M806424 |
| 12 | M805711 | PACKING | 1 | |
| 13 | 19M7865 | SCREW | 3 | M8 X 16, SUB FOR CH18390 |
| 14 | 19M7865 | SCREW | 4 | M8 X 16, SUB FOR CH18390 |
| 15 | 19M7868 | SCREW | 1 | M8 X 30, SUB FOR CH18386 |
| 16 | 19M7979 | SCREW | 12 | M8 X 55 |
| 17 | CH19136 | BOLT | 3 | |
| 18 | 14M7298 | FLANGE NUT | 3 | M8, SUB FOR M810186 |
| 19 | MIU800476 | COVER | 1 | |
| 20 | CH13526 | PACKING | 1 | |
| 21 | 19M7775 | SCREW | 2 | M6 X 16, SUB FOR M87868 |



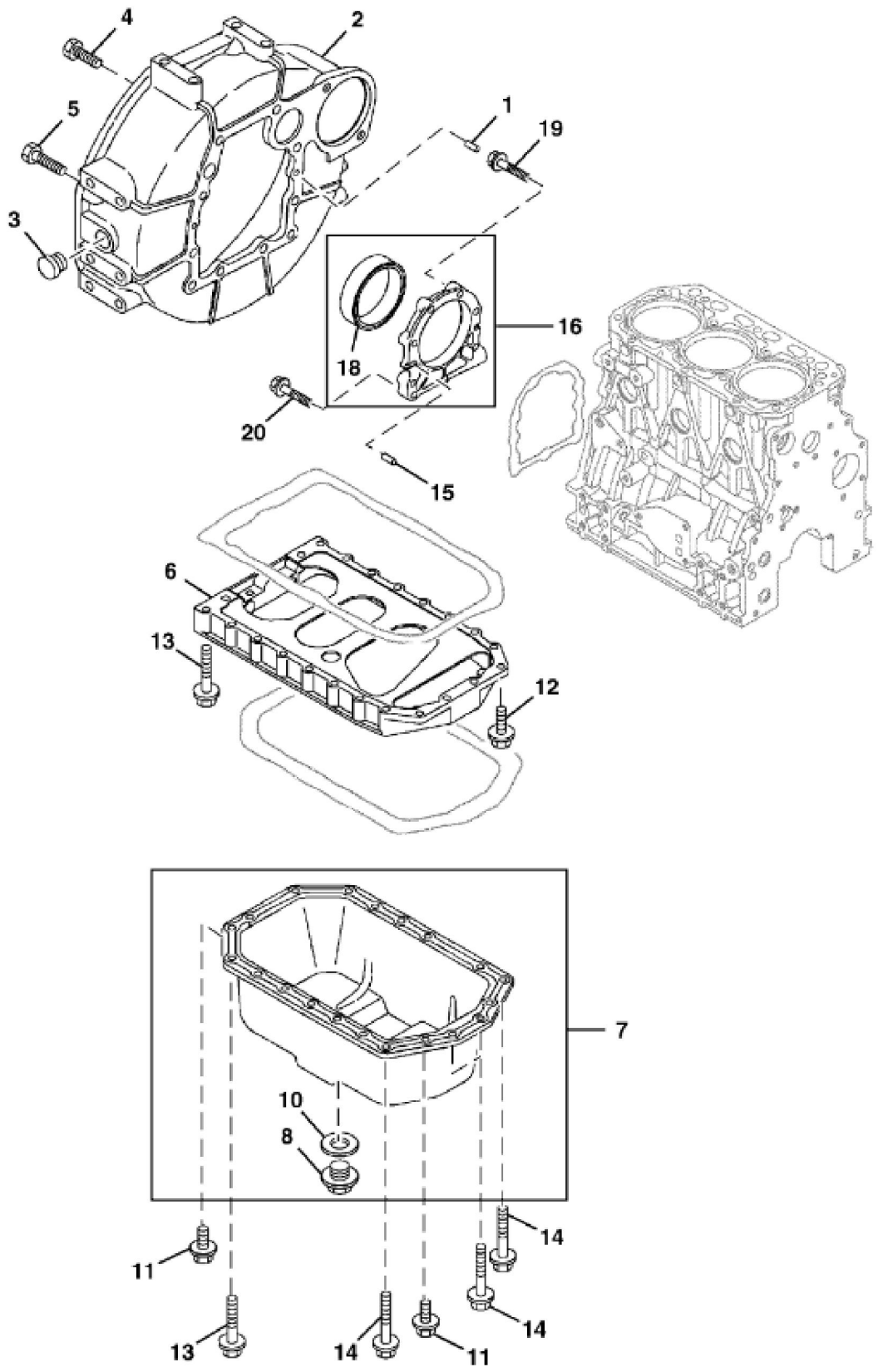
Suggest:

For more complete manuals. Please go to the home page.

<https://www.ebooklibonline.com>

If the above button click is invalid. Please download this document first, and then click the above link to download the complete manual.

Thank you so much for reading



TX1127955

| KEY | PART NO. | PART NAME | QTY | REMARKS |
|-----|-----------|------------|-----|---------------------------|
| 1 | M802255 | PIN | 2 | |
| 2 | M808276 | HOUSING | 1 | |
| 3 | M88659 | PLUG | 1 | |
| 4 | 19M7402 | CAP SCREW | 6 | M10 X 25, SUB FOR M800077 |
| 5 | 19M7662 | CAP SCREW | 4 | M10 X 30, SUB FOR M801201 |
| 6 | M801735 | RESERVOIR | 1 | |
| 7 | AT318114 | RESERVOIR | 1 | |
| 8 | M806544 | DRAIN PLUG | 1 | |
| 10 | M806545 | WASHER | 1 | |
| 11 | 19M7865 | SCREW | 4 | M8 X 16, SUB FOR CH18390 |
| 12 | CH19085 | BOLT | 2 | |
| 13 | CH19101 | BOLT | 16 | |
| 14 | CH19086 | BOLT | 4 | |
| 15 | M802255 | PIN | 2 | |
| 16 | MIA881006 | CASE | 1 | |
| 18 | MIU800955 | SEAL | 1 | |
| 19 | M808308 | BOLT | 6 | |
| 20 | CH19090 | BOLT | 3 | SUB FOR M87884 |

<https://www.ebooklibonline.com>

Hello dear friend!

Thank you very much for reading.

Enter the link into your browser.

The full manual is available for immediate download.

<https://www.ebooklibonline.com>