

TX1040274

KEY	PART NO.	PART NAME	QTY	REMARKS
1	CYLINDER BLOCK	1	
4	CH10314	PLUG	1	1/8 in. PT
5	PLUG	1	(M809565 NLA)
6	CH10335	PLUG	2	1/4 in. PT
7	CH10335	PLUG	1	1/4 in. PT
8	CH18379	PLUG	1	
9	M801189	BOLT	8	
12	MIU800573	BUSHING	1	
13	M87801	PLUG	2	
14	CH10642	PLUG	6	
24	MIA880555	BEARING	2	
27	M801186	BOLT	14	
28	M806811	ENGINE CYLINDER HEAD GASKET	1	
29	MIA880554	BEARING	4	
29	MIA880550	BEARING	4	0.25 mm, (U.S.)

<https://www.ebooklibonline.com>

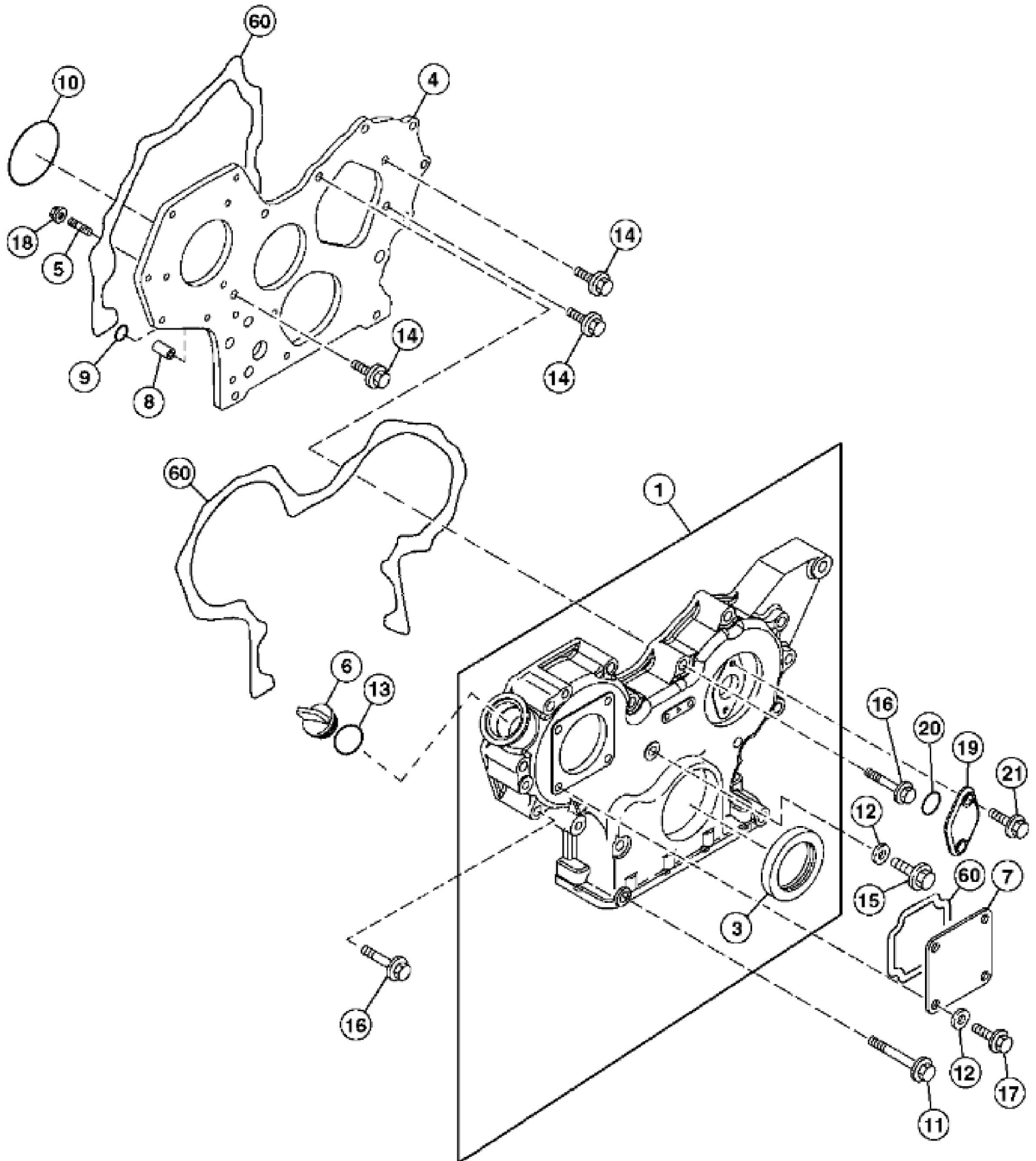
Hello dear friend!

Thank you very much for reading.

Enter the link into your browser.

The full manual is available for immediate download.

<https://www.ebooklibonline.com>



TX1040275

KEY	PART NO.	PART NAME	QTY	REMARKS
1	MIA881011	GEAR CASE	1	
3	M811078	SEAL	1	
4	MIU800874	FLANGE	1	
5	MIU800440	STUD	3	M8 X 25
6	M805710	CAP	1	
7	CH18096	COVER	1	
8	M800974	PIPE	2	
9	M810185	O-RING	2	
10	CH16940	O-RING	1	
11	RG60841	BOLT	3	M8 X 85
12	M806424	WASHER	5	
13	M805711	PACKING	1	
14	CH18390	BOLT	3	M8 X 16
15	CH18386	BOLT	1	M8 X 30
16	19M7979	SCREW	12	M8 X 55
17	CH18390	BOLT	4	M8 X 16
18	M810186	NUT	3	M8
19	MIU800476	COVER	1	
20	CH13526	PACKING	1	
21	M87868	BOLT	2	M6 X 16
60	M801839	SEALANT	AR	



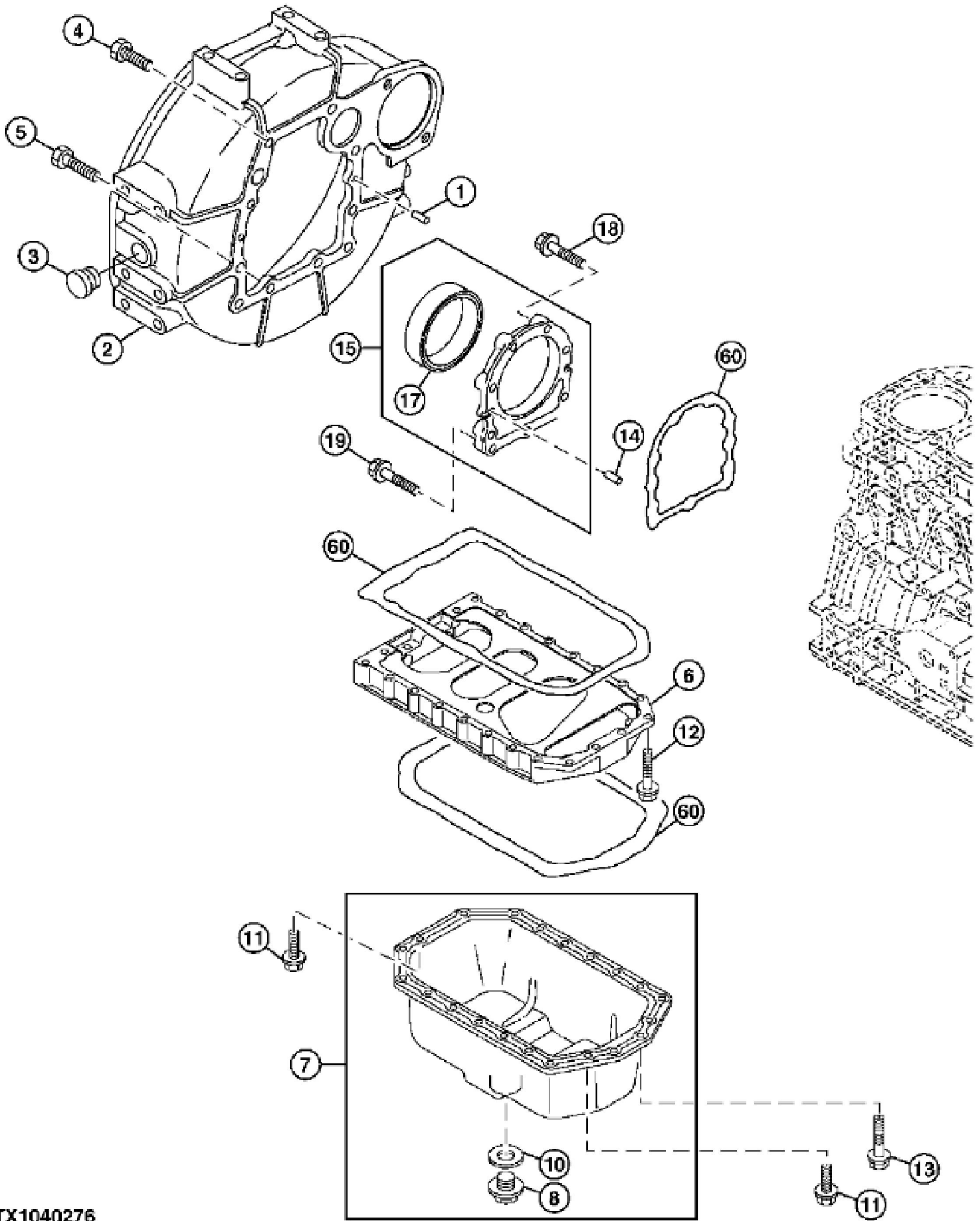
Suggest:

For more complete manuals. Please go to the home page.

<https://www.ebooklibonline.com>

If the above button click is invalid. Please download this document first, and then click the above link to download the complete manual.

Thank you so much for reading



TX1040276

KEY	PART NO.	PART NAME	QTY	REMARKS	
1	M802255	PIN	2		
2	M808276	HOUSING	1		
3	M88659	PLUG	1		
4	M800077	BOLT	6	M10 X 25	
5	M801201	BOLT	4	M10 X 30	
6	M801735	RESERVOIR	1		
7	AT318114	RESERVOIR	1		
8	M806544	DRAIN PLUG	1	M22	
10	M806545	WASHER	1		
11	CH18390	BOLT	4	M8 X 16	
12	CH19085	BOLT	2	M8 X 25	
13	CH19101	BOLT	20	M8 X 45	
14	M802255	PIN	2		
15	MIA881006	CASE	1		
17	SEAL	1		
18	M808308	BOLT	6	M8 X 30	
19	CH19090	BOLT	3	M8 X 35, SUB FOR M87884	
60	M801839	SEALANT	AR		

<https://www.ebooklibonline.com>

Hello dear friend!

Thank you very much for reading.

Enter the link into your browser.

The full manual is available for immediate download.

<https://www.ebooklibonline.com>