

TP50250

KEY	PART NO.	PART NAME	QTY	REMARKS
1	8972322866	CYLINDER BLOCK	1	(ADDITIONAL COMPONENTS SHOWN ON FOLLOWING PAGE), (SUB FOR 8972322864, 8972322865)
2	8942298530	PLUG	2	(SUB FOR AT254851)
3	8941674701	BOLT	8	(SUB FOR AT259967)
4	5096000130	SEAL	2	
5	8972096090	SEAL	1	(SUB FOR AT256018)
6	1096050190	PIPE PLUG	1	(SUB FOR AT254811)
7	AT261308	FITTING PLUG	1	
8	9096640010	FITTING PLUG	1	WATER DRAIN, (SUB FOR AT255028)
8	8943424140	HAND OPERATED VALVE	1	
9	5096050192	PIPE PLUG	1	
10	0410106160	STUD	2	(SUB FOR 8972621471)
11	9112290581	DOWEL PIN	3	(SUB FOR AT255033)
12	5096000130	SEAL	1	
13	8970470560	NEEDLE BEARING	1	(SUB FOR AT254902)
14	8972621451	STUD	1	

<https://www.ebooklibonline.com>

Hello dear friend!

Thank you very much for reading.

Enter the link into your browser.

The full manual is available for immediate download.

<https://www.ebooklibonline.com>

KEY	PART NO.	PART NAME	QTY	REMARKS
1	8972322866	CYLINDER BLOCK	1	Components On Seperate Page, SUB FOR 8972322864, 8972322865
2	5096000130	SEAL	2	
3	8942170020	DOWEL PIN	1	(SUB FOR AT254849, 8942008190 OR 8972310071)
4	9098785320	DOWEL PIN	3	(SUB FOR AT255029)
5	AT254807	STUD	6	
6	0410106160	STUD	1	(M6X16 L=25), (SUB FOR 8972621471)
6	8972621481	STUD	1	(M6X19 L=27)
7	8971378360	NUT	2	(SUB FOR AT260063)
8	0280806140	BOLT	2	(SUB FOR AT259917)
9	8971062042	COVER	1	(SUB FOR AT260039)
10	5096050192	PIPE PLUG	1	
11	1096000122	PLUG	1	(SUB FOR 1096000121)
12	8970394953	PIN	2	(SUB FOR AT254887)
13	8943255950	THREADED NIPPLE	1	(SUB FOR AT254860)
14	9098780940	DOWEL PIN	5	(SUB FOR AT255013)
15	8970471421	PLUG	1	(SUB FOR AT254903)
16	9081508160	PIN FASTENER	2	(SUB FOR AT255014)
17	AT254824	FITTING PLUG	1	
18	9095720140	PACKING	1	
19	AT254827	SEAL	1	
20	8972310302	RETAINER	1	
21	0280806200	BOLT	6	(SUB FOR AT259919)
23	8942298530	PLUG	1	(SUB FOR AT254851)
24	4454526	FILTER ELEMENT	1	(SUB FOR AT192163)



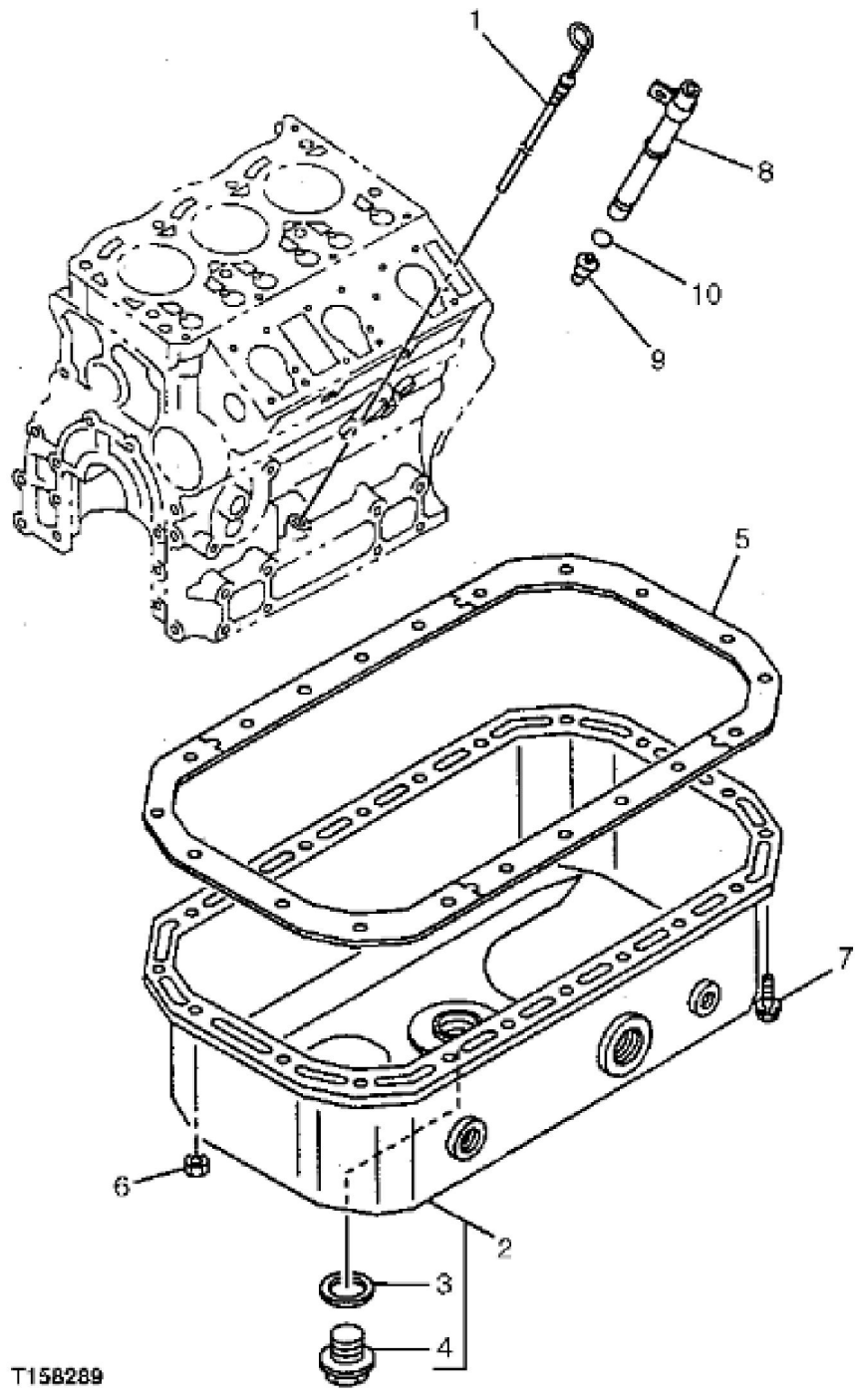
Suggest:

For more complete manuals. Please go to the home page.

<https://www.ebooklibonline.com>

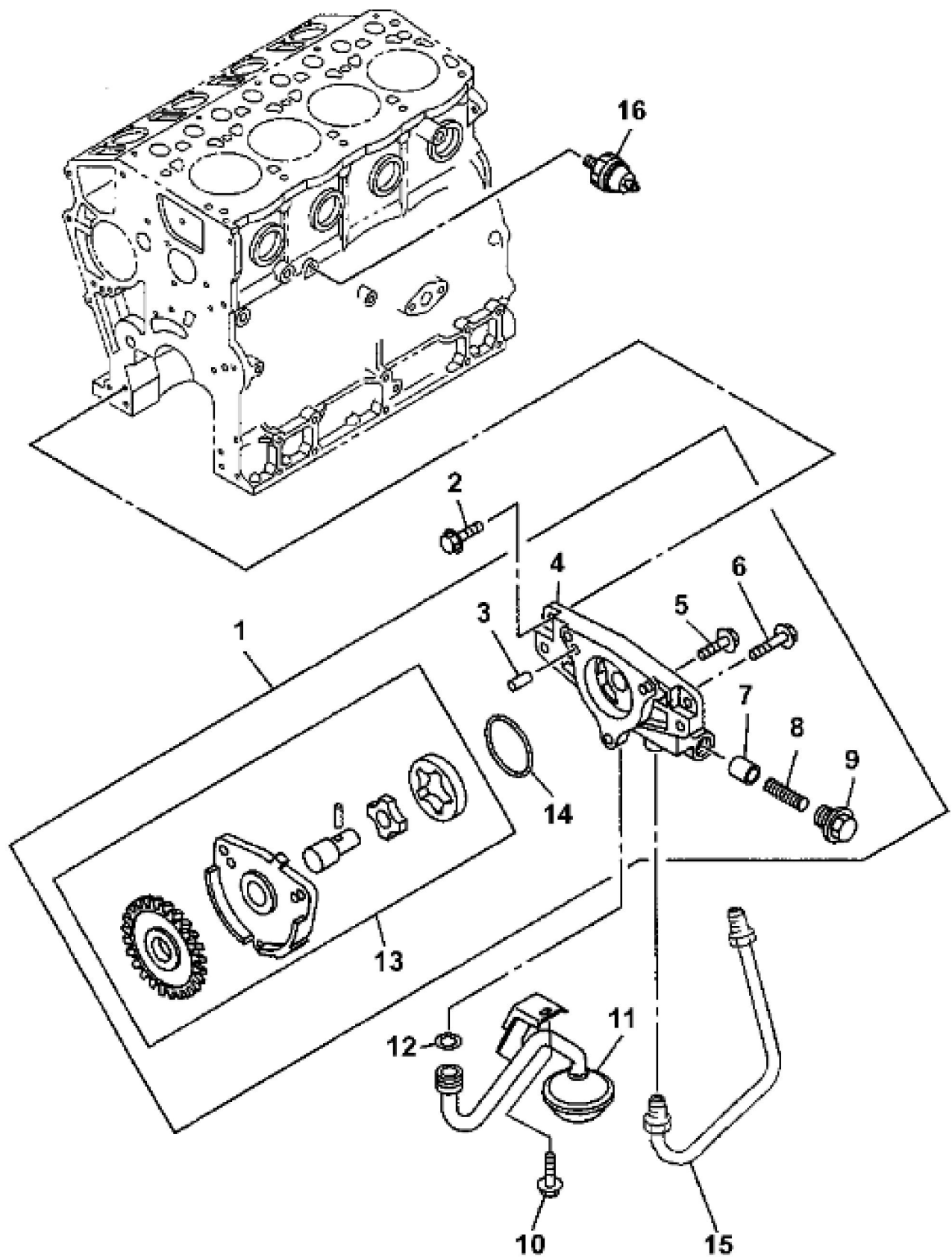
If the above button click is invalid. Please download this document first, and then click the above link to download the complete manual.

Thank you so much for reading



T158289

KEY	PART NO.	PART NAME	QTY	REMARKS	
1	8973203630	DIPSTICK	1		
2	8972872720	OIL PAN	1		
3	8943993980	GASKET	1	(SUB FOR AT254814 OR 1096231830)	
4	9096620120	PIPE PLUG	1	(SUB FOR AT255027)	
5	8973149130	GASKET	1		
6	8971378360	NUT	2	(SUB FOR AT260063)	
7	8971351410	BOLT	18	(SUB FOR AT260061)	
8	8973201070	DIPSTICK TUBE	1		
9	8973632530	THREADED NIPPLE	1	(SUB FOR 8973632530)	
10	5096230023	GASKET	1	(SUB FOR 5096230020)	



TP50070

<https://www.ebooklibonline.com>

Hello dear friend!

Thank you very much for reading.

Enter the link into your browser.

The full manual is available for immediate download.

<https://www.ebooklibonline.com>