

T135397

KEY	PART NO.	PART NAME	QTY	REMARKS	
1	5863014930	CAMSHAFT	1	(SUB FOR AT263170)	
2	5863003780	GEAR	1	(SUB FOR AT263073)	
3	5863004330	GEAR	1	(SUB FOR AT263084)	
4	5863001440	SHAFT KEY	1	(SUB FOR AT263036)	
5	5863014970	PUSH ROD	6	(SUB FOR AT263171)	
6	5863003950	TAPPET	5	(SUB FOR AT263255)	
7	TAPPET	1		
8	5863011480	SPACER	3	(SUB FOR AT263150)	
9	5863001550	BEARING	1	(SUB FOR AT263044)	
10	5863004470	CAP	1	(SUB FOR AT263088)	
11	5863011700	PLATE	1	(SUB FOR AT263156)	
12	5863000460	BOLT	1	(SUB FOR AT263002)	
13	5863000290	BOLT	1	(SUB FOR AT262999)	

<https://www.ebooklibonline.com>

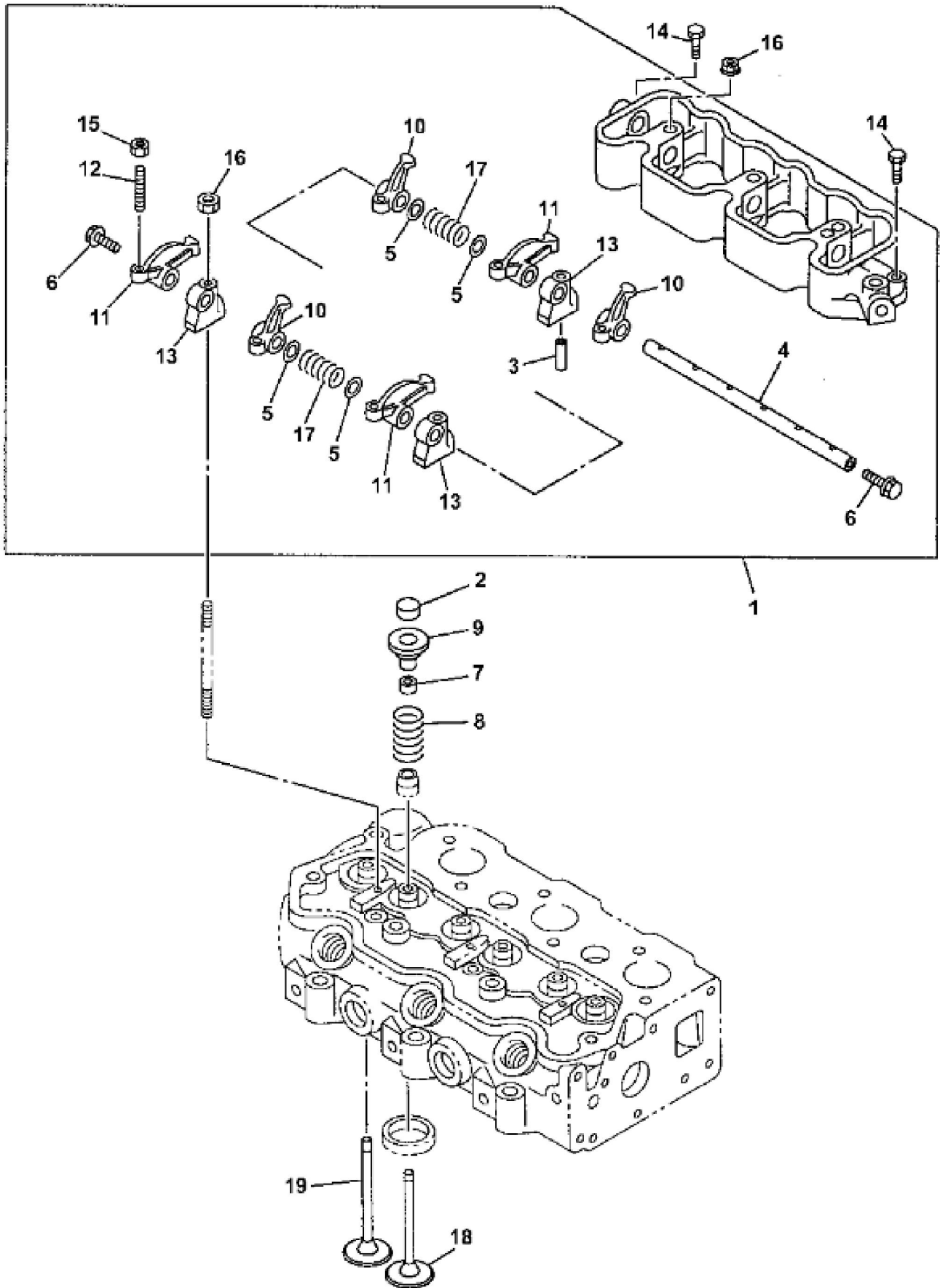
Hello dear friend!

Thank you very much for reading.

Enter the link into your browser.

The full manual is available for immediate download.

<https://www.ebooklibonline.com>



KEY	PART NO.	PART NAME	QTY	REMARKS	
1	5863003920	HOUSING	1	(SUB FOR AT263074)	
2	5863004080	CAP	6	(SUB FOR AT263078)	
3	5863001300	DOWEL PIN	1	(SUB FOR AT263027)	
4	5863004130	ROCKER ARM SHAFT	1	(SUB FOR AT263080)	
5	5863011560	WASHER	4	(SUB FOR AT263153)	
6	5863001950	BOLT	2	(SUB FOR AT263058)	
7	5863004100	BUSHING	12	(SUB FOR AT263079)	
8	5863010440	COMPRESSION SPRING	6	(SUB FOR AT263134)	
9	5863004060	PLATE	6	(SUB FOR AT263077)	
10	5863004220	ROCKER ARM	3	(SUB FOR AT263081)	
11	5863004230	ROCKER ARM	3	(SUB FOR AT263082)	
12	5863011670	STUD	6	(SUB FOR AT263155)	
13	5863014410	BRACKET	3	(SUB FOR AT263165)	
14	5863000500	BOLT	2	(SUB FOR AT263005)	
15	5863000960	NUT	6	(SUB FOR AT263013)	
16	5863001080	NUT	3	(SUB FOR AT263018)	
17	5863010450	SPRING	2	(SUB FOR AT263135)	
18	5863003990	INTAKE VALVE	3	(SUB FOR AT263075)	
19	5863004030	EXHAUST VALVE	3	(SUB FOR AT263076)	



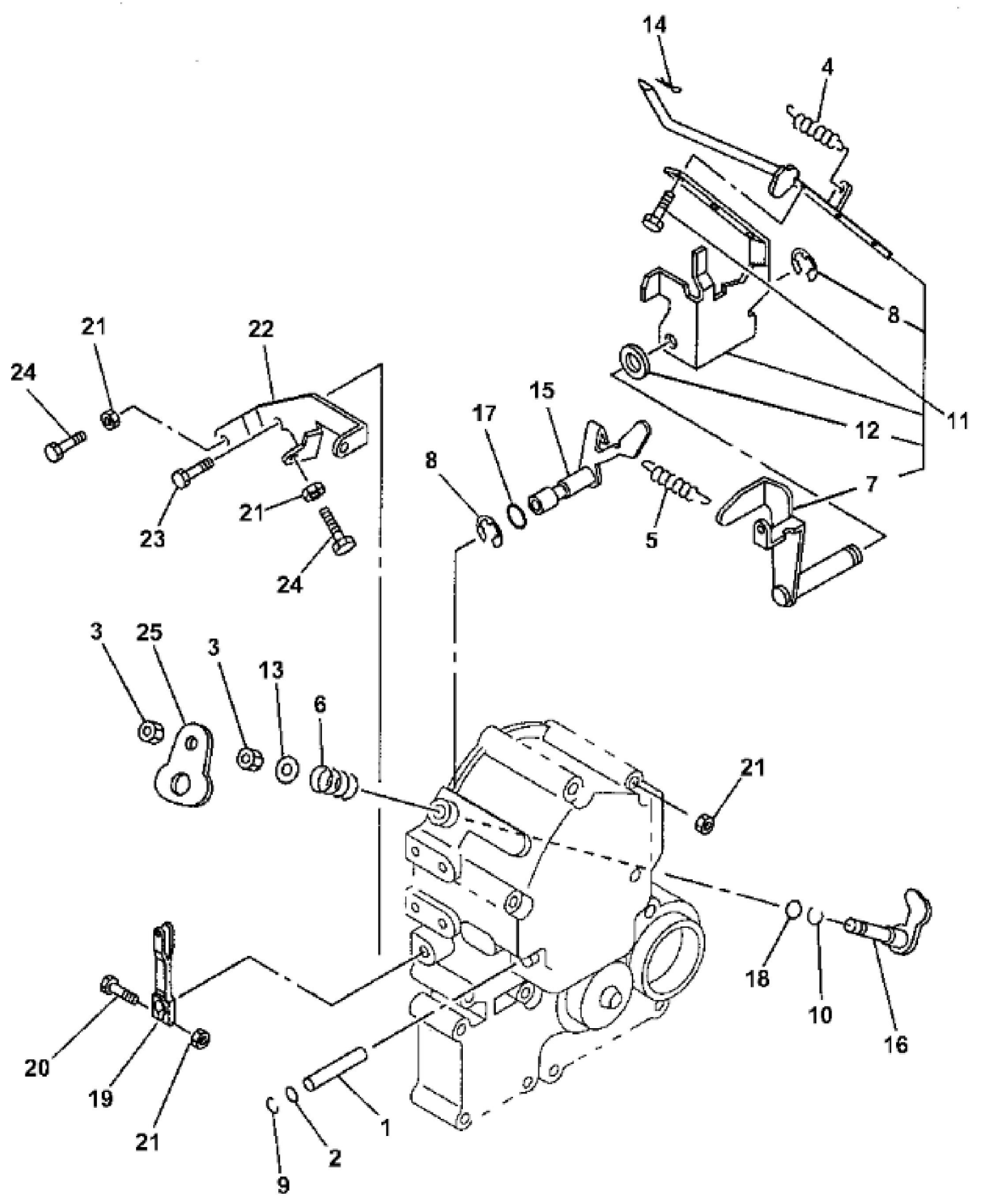
Suggest:

For more complete manuals. Please go to the home page.

<https://www.ebooklibonline.com>

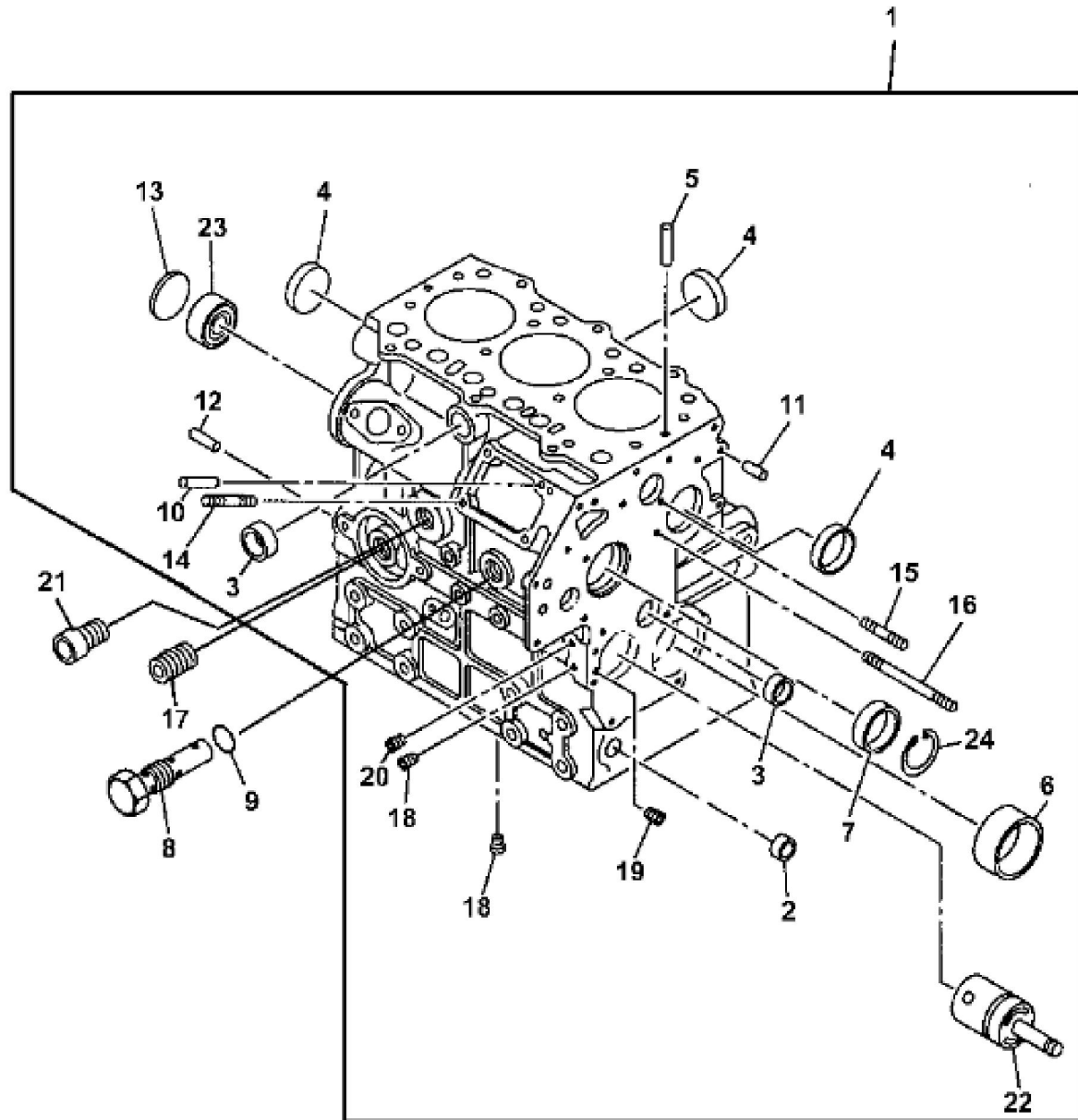
If the above button click is invalid. Please download this document first, and then click the above link to download the complete manual.

Thank you so much for reading



T135704

KEY	PART NO.	PART NAME	QTY	REMARKS	
1	5863014390	SHAFT	1	(SUB FOR AT263164)	
2	5863001620	GASKET	1	(SUB FOR AT263046)	
3	5863001010	NUT	2	(SUB FOR AT263015)	
4	5863010560	SPRING	1	(SUB FOR AT263137)	
5	5863010460	SPRING	1	(SUB FOR AT263136)	
6	5863010390	SPRING	1	(SUB FOR AT263132)	
7	5863004500	LEVER	1	(SUB FOR AT263089)	
8	5863001520	SNAP RING	2	(SUB FOR AT263041)	
9	5863001500	SNAP RING	1	(SUB FOR AT263039)	
10	5863001510	SNAP RING	1	(SUB FOR AT263040)	
11	5863004370	LEVER KIT	1	(SUB FOR AT263085)	
12	5863001250	WASHER	1	(SUB FOR AT263026)	
13	5863001240	WASHER	1	(SUB FOR AT263025)	
14	5863001430	SPRING LOCKING PIN	1	(SUB FOR AT263035)	
15	5863004420	ARM	1	(SUB FOR AT263086)	
16	5863004430	ARM	1	(SUB FOR AT263087)	
17	5863001640	GASKET	1	(SUB FOR AT263048)	
18	5863001630	GASKET	1	(SUB FOR AT263047)	
19	5863015820	LEVER	1	(SUB FOR AT263204)	
20	5863000140	BOLT	1	(SUB FOR AT262998)	
21	5863001070	NUT	4	(SUB FOR AT263017)	
22	5863004560	BRACKET	1	(SUB FOR AT263090)	
23	5863000480	BOLT	2	(SUB FOR AT263003)	
24	5863000040	BOLT	2	(SUB FOR AT262994)	
25	5863004450	LEVER	1	(SUB FOR AT263242)	



<https://www.ebooklibonline.com>

Hello dear friend!

Thank you very much for reading.

Enter the link into your browser.

The full manual is available for immediate download.

<https://www.ebooklibonline.com>