

KEY	PART NO.	PART NAME	QTY	REMARKS	
1	.....	CYLINDER BLOCK	1	NLA	
4	M811805	PLUG	4		
5	M809593	PLUG	1		
6	M811807	PLUG	3		
7	M87879	BOLT	8		
10	MIU800572	CAMSHAFT	1		
11	CH10314	PLUG	1		
12	CH10335	PLUG	1		
13	M87801	PLUG	1		
23	AM882419	THRUST BEARING	2		
26	M800970	BOLT	14		
27	MIA882331	GASKET KIT	1		
28	MIA880551	BEARING	4	Spare	
31	.....	BEARING	4	Undersized, - 0.25, FGY0002411 NLA	
34	MIA880557	BEARING	2	Oversized, + 0.25	

**<https://www.ebooklibonline.com>**

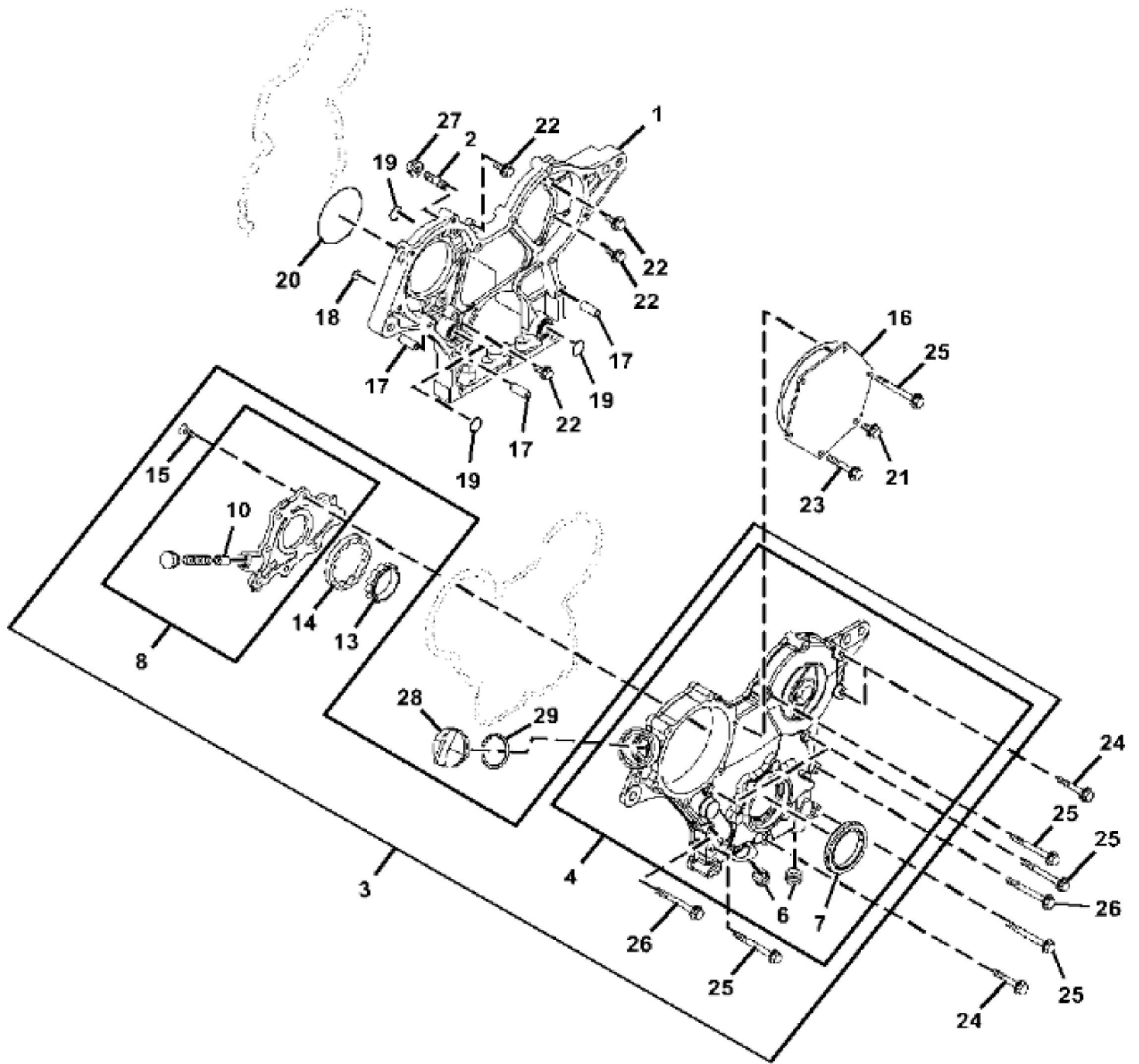
Hello dear friend!

Thank you very much for reading.

Enter the link into your browser.

The full manual is available for immediate download.

**<https://www.ebooklibonline.com>**



KEY	PART NO.	PART NAME	QTY	REMARKS
1	M811816	GEAR CASE	1	
2	M811820	STUD	3	
3	AM882445	COVER	1	
4	AM882469	COVER	1	
6	M806938	PLUG	2	
7	M811563	SEAL	1	
8	AM882435	COVER	1	
10	.....	PRESSURE RELIEF VALVE	1	NSEP
13	M811888	ROTOR	1	
14	M811889	ROTOR	1	
15	M811061	SCREW	8	
16	M811823	COVER	1	
17	M800006	DOWEL PIN	4	
18	M809204	O-RING	1	
19	M811885	O-RING	3	
20	CH16940	O-RING	1	
21	19M7774	SCREW	1	M6 X 12, SUB FOR M87819
22	19M7775	SCREW	4	M6 X 16, SUB FOR M87868
23	19M7797	SCREW	4	M6 X 40, SUB FOR M800008
24	19M7797	SCREW	3	M6 X 40, SUB FOR M800008
25	M89120	BOLT	7	
26	M800065	BOLT	2	
27	14M7298	FLANGE NUT	3	M8, SUB FOR M810186
28	M805710	CAP	1	
29	M805711	PACKING	1	



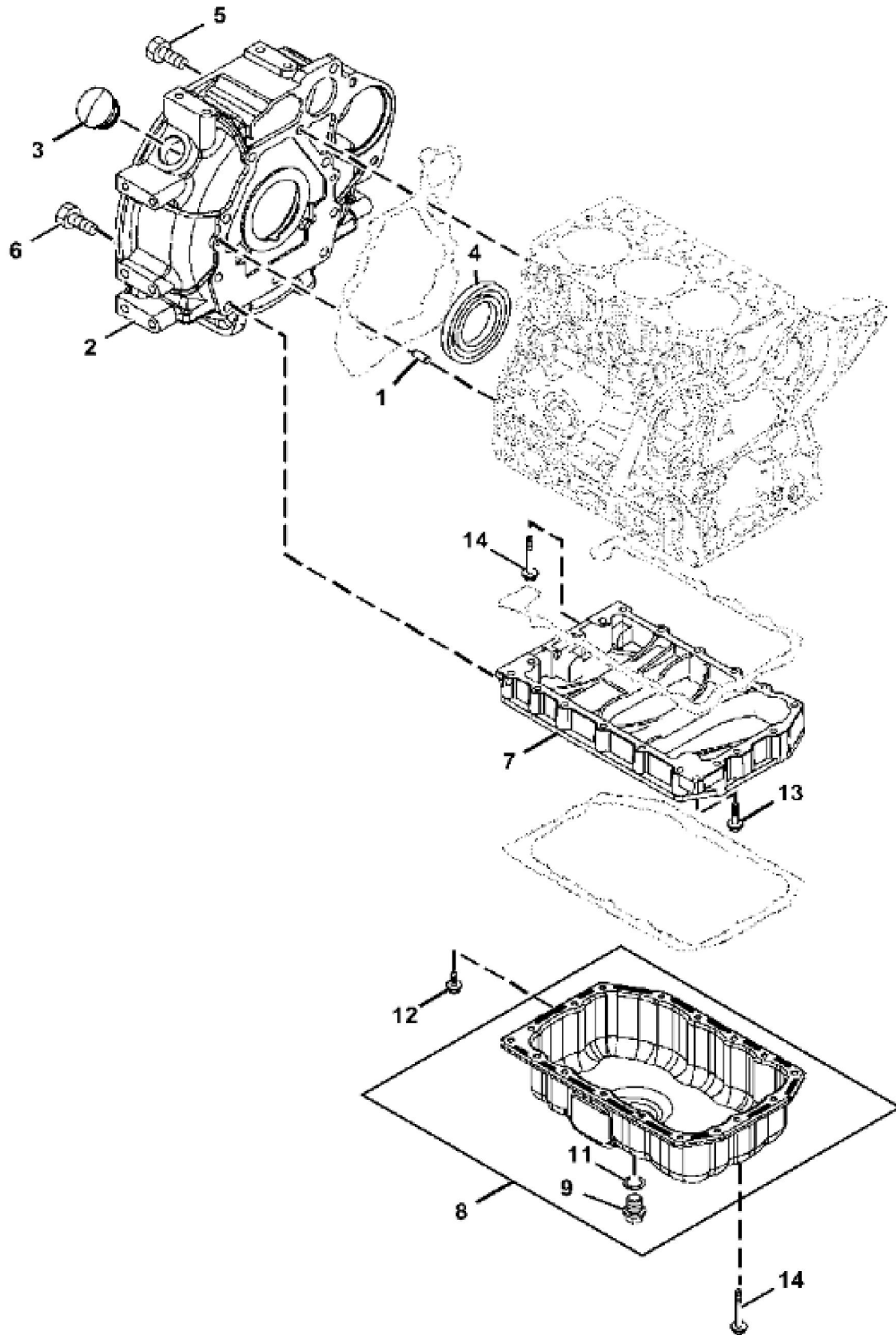
**Suggest:**

**For more complete manuals. Please go to the home page.**

**<https://www.ebooklibonline.com>**

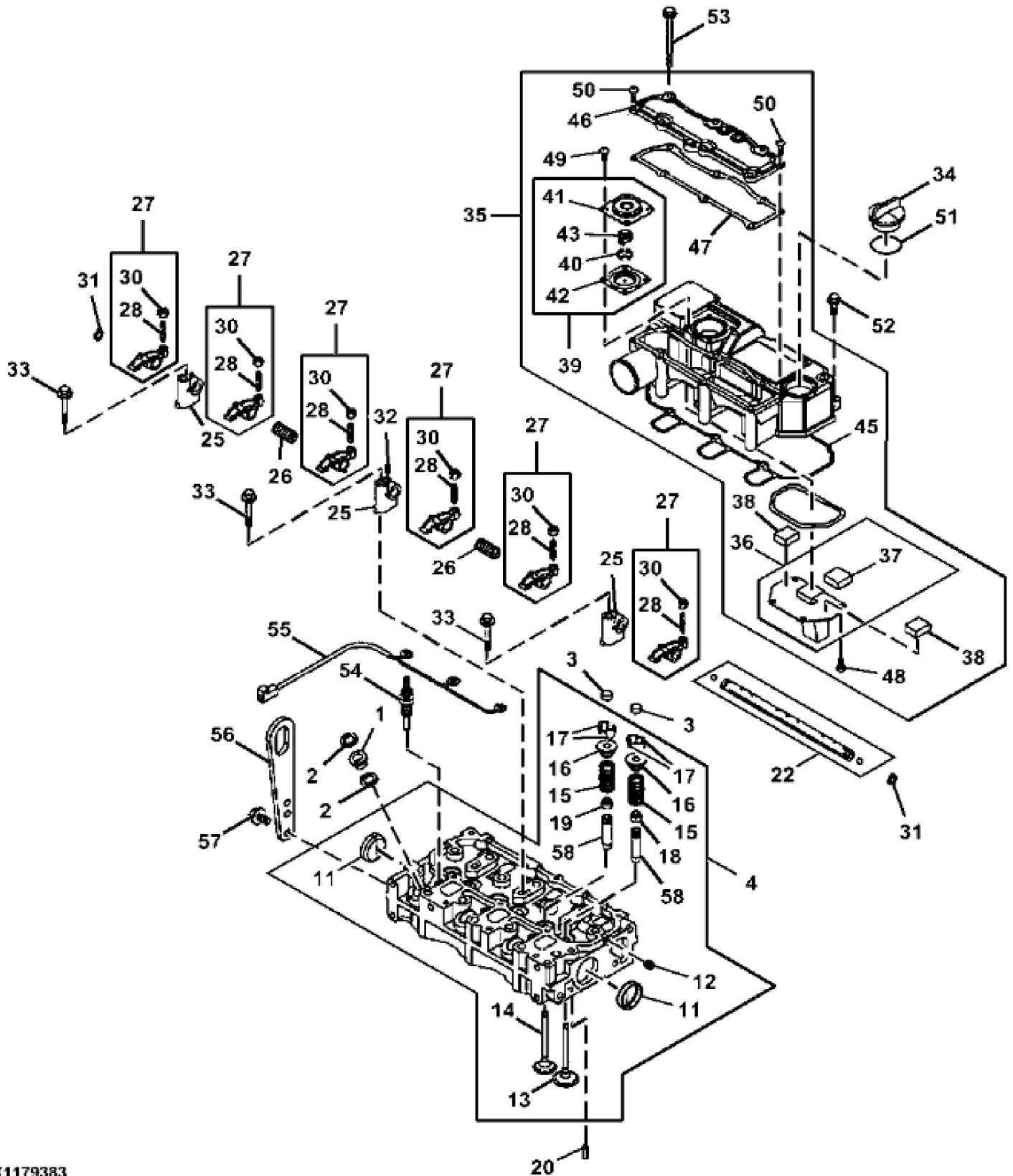
**If the above button click is invalid. Please download this document first, and then click the above link to download the complete manual.**

**Thank you so much for reading**



TX1179370

KEY	PART NO.	PART NAME	QTY	REMARKS	
1	M802255	PIN	2		
2	MIU800607	HOUSING	1		
3	M88659	PLUG	1		
4	MIU800347	SEAL	1		
5	19M7402	CAP SCREW	7	M10 X 25, SUB FOR M800077	
6	19M7662	CAP SCREW	3	M10 X 30, SUB FOR M801201	
7	M811822	SPACER	1		
8	MIA880595	RESERVOIR	1		
9	T111565	PLUG	1		
11	M806433	WASHER	1		
12	19M7774	SCREW	1	M6 X 12, SUB FOR M87819	
13	M87869	BOLT	1		
14	M87878	BOLT	17		



**<https://www.ebooklibonline.com>**

Hello dear friend!

Thank you very much for reading.

Enter the link into your browser.

The full manual is available for immediate download.

**<https://www.ebooklibonline.com>**