

TP17387

KEY	PART NO.	PART NAME	QTY	REMARKS	
1	AT110848	MOUNTING PARTS	1		
2	.....	CASE	1	(SUB AT110848)	
3	M801941	SEAL	1	(SUB FOR M87809)	
4	M87826	BOLT	10		

**<https://www.ebooklibonline.com>**

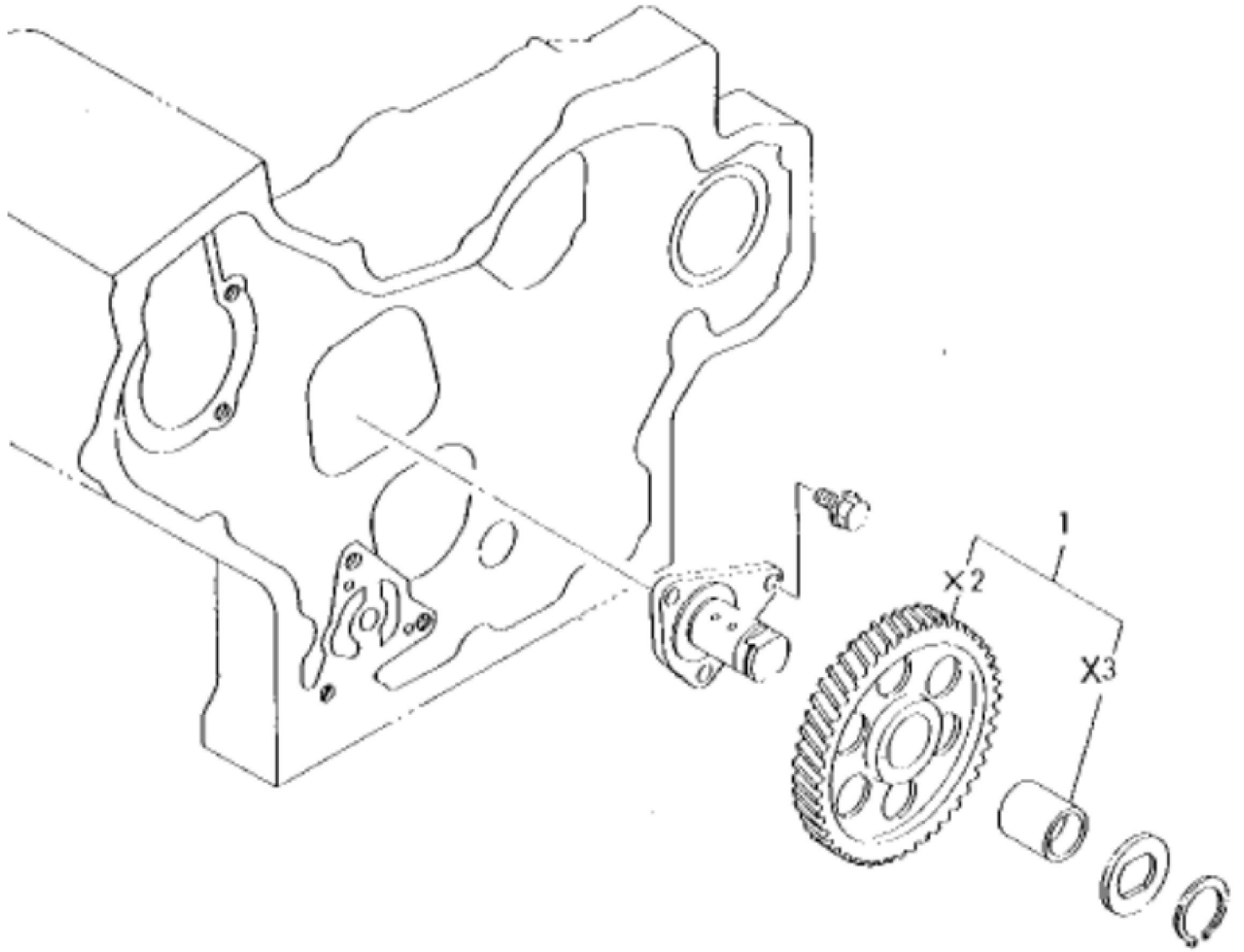
Hello dear friend!

Thank you very much for reading.

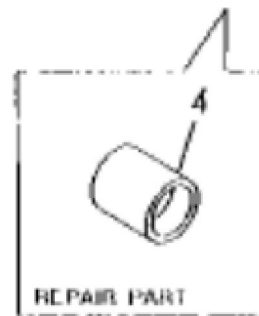
Enter the link into your browser.

The full manual is available for immediate download.

**<https://www.ebooklibonline.com>**



TP17388



KEY	PART NO.	PART NAME	QTY	REMARKS	
1	AM875078	GEAR	1		
2	.....	GEAR	1	(SUB AM875078)	
3	M800300	BUSHING	1		
4	M800300	BUSHING	1		



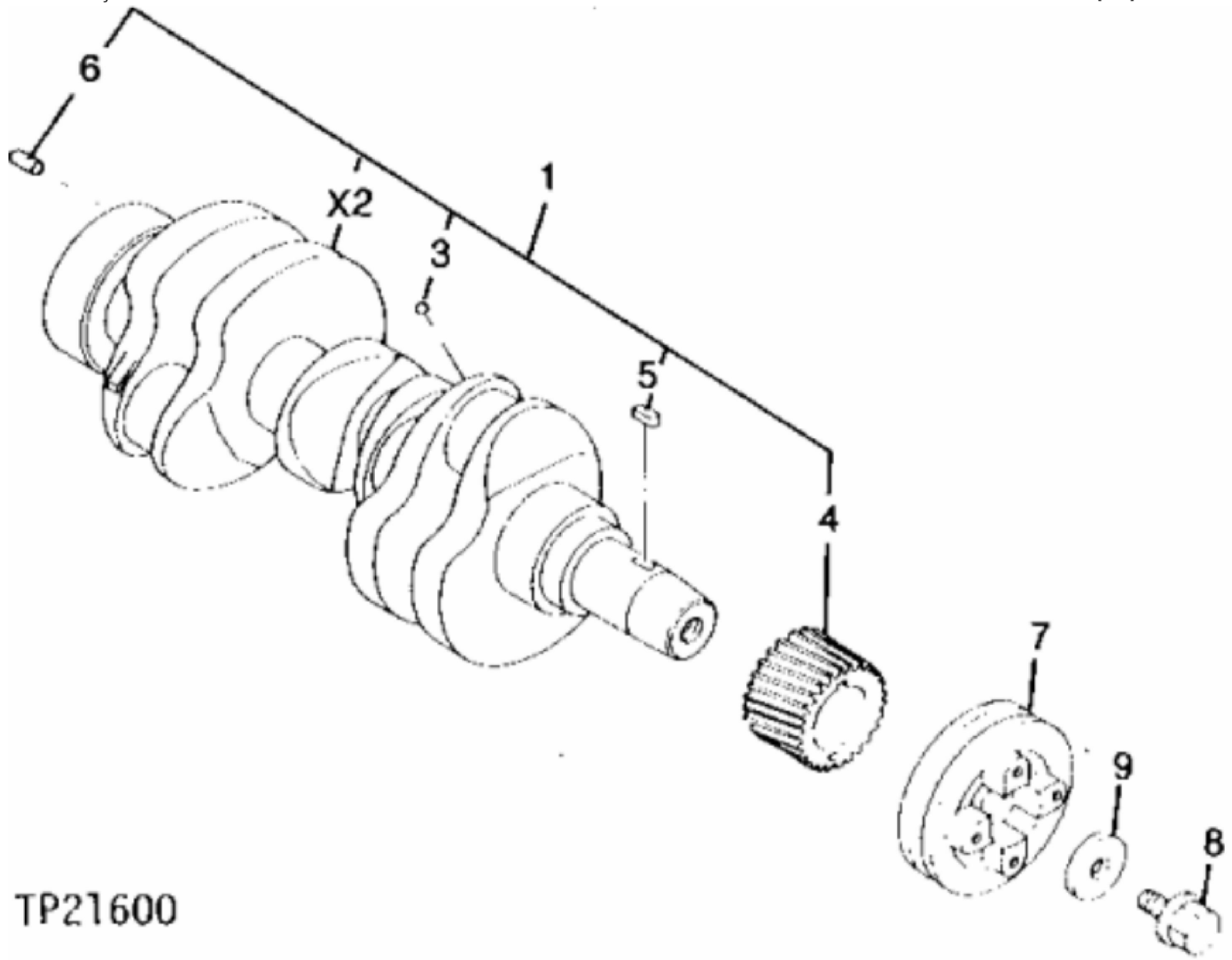
**Suggest:**

**For more complete manuals. Please go to the home page.**

**<https://www.ebooklibonline.com>**

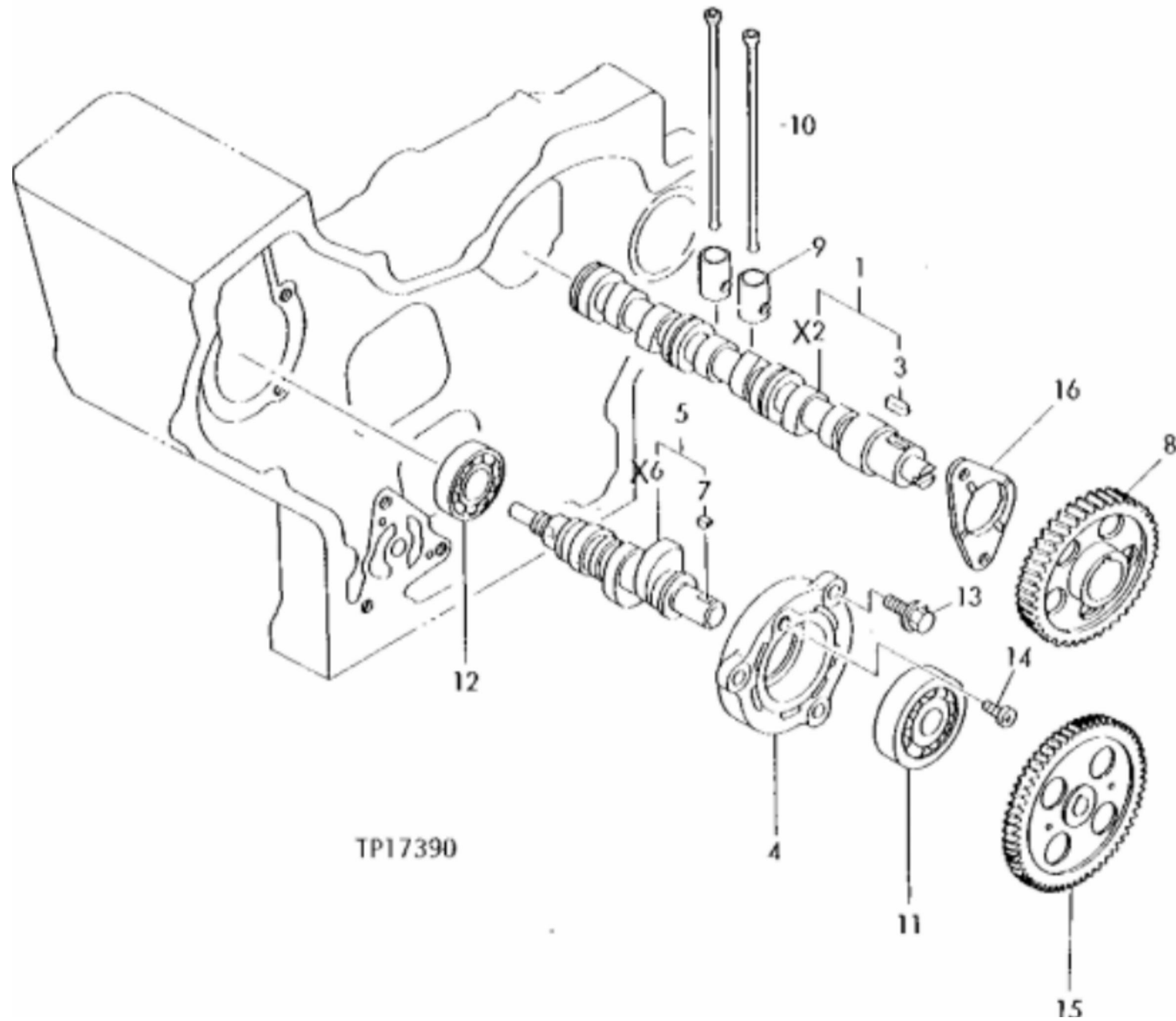
**If the above button click is invalid. Please download this document first, and then click the above link to download the complete manual.**

**Thank you so much for reading**



TP21600

KEY	PART NO.	PART NAME	QTY	REMARKS	
1	AM101394	CRANKSHAFT	1		
2	.....	CRANKSHAFT	1	(SUB AM101394)	
3	400R	BALL	3		
4	M89137	GEAR	1		
5	M87812	SHAFT KEY	1		
6	M802255	PIN	1	(SUB FOR CH10534)	
7	AT110783	PULLEY	1		
8	M800075	SCREW	1		
9	M800308	WASHER	1		



**<https://www.ebooklibonline.com>**

Hello dear friend!

Thank you very much for reading.

Enter the link into your browser.

The full manual is available for immediate download.

**<https://www.ebooklibonline.com>**