

John Deere > Turf And Utility > UTILITY VEHICLE > HPX - UTILITY VEHICLE > 4X2 HPX and 4X4 HPX (Diesel) Gator Utility Vehicle > 20 ENGINE, 3TNE68C-EJUV AM131103 > ST559339 - CYLINDER BLOCK AND MAIN BEARINGS

KEY	PART NO.	PART NAME	QTY	REMARKS
1	M808915	BOLT	14	
2	M807312	ENGINE CYLINDER HEAD GASKET	1	
3	AM878699	CYLINDER BLOCK	1	
4	CH18079	SPRING PIN	2	
5	CH17101	PLUG	4	
6	M808914	BUSHING	1	CAMSHAFT
7	19M7774	SCREW	3	M6 X 12
8	M89140	SHAFT	1	IDLE GEAR
9	M800002	PLUG	2	
10	M800006	DOWEL PIN	2	
11	CH15478	PLUG	1	
12	CH10314	PLUG	2	
13	M802255	PIN	2	
14	M802254	PIN	2	
15	30M7023	PLUG	2	
16	M809592	PIPE PLUG	1	
17	AM875060	BEARING KIT	2	THRUST
18	AM875059	BEARING KIT	4	MAIN, STD
18	AM875026	BEARING KIT	4	0.25 MM (.010") US, MAIN
19	BEARING CAP	1	
20	BEARING CAP	3	
21	M800012	BOLT	8	
22	AM100800	DRAIN VALVE	1	
..	AM131103	DIESEL ENGINE	1	(MARKED 3TNE68C-EJUV) (SUB AM881159)
..	MIA882703	SHORT BLOCK ASSEMBLY	1	SUB FOR AM881159

<https://www.ebooklibonline.com>

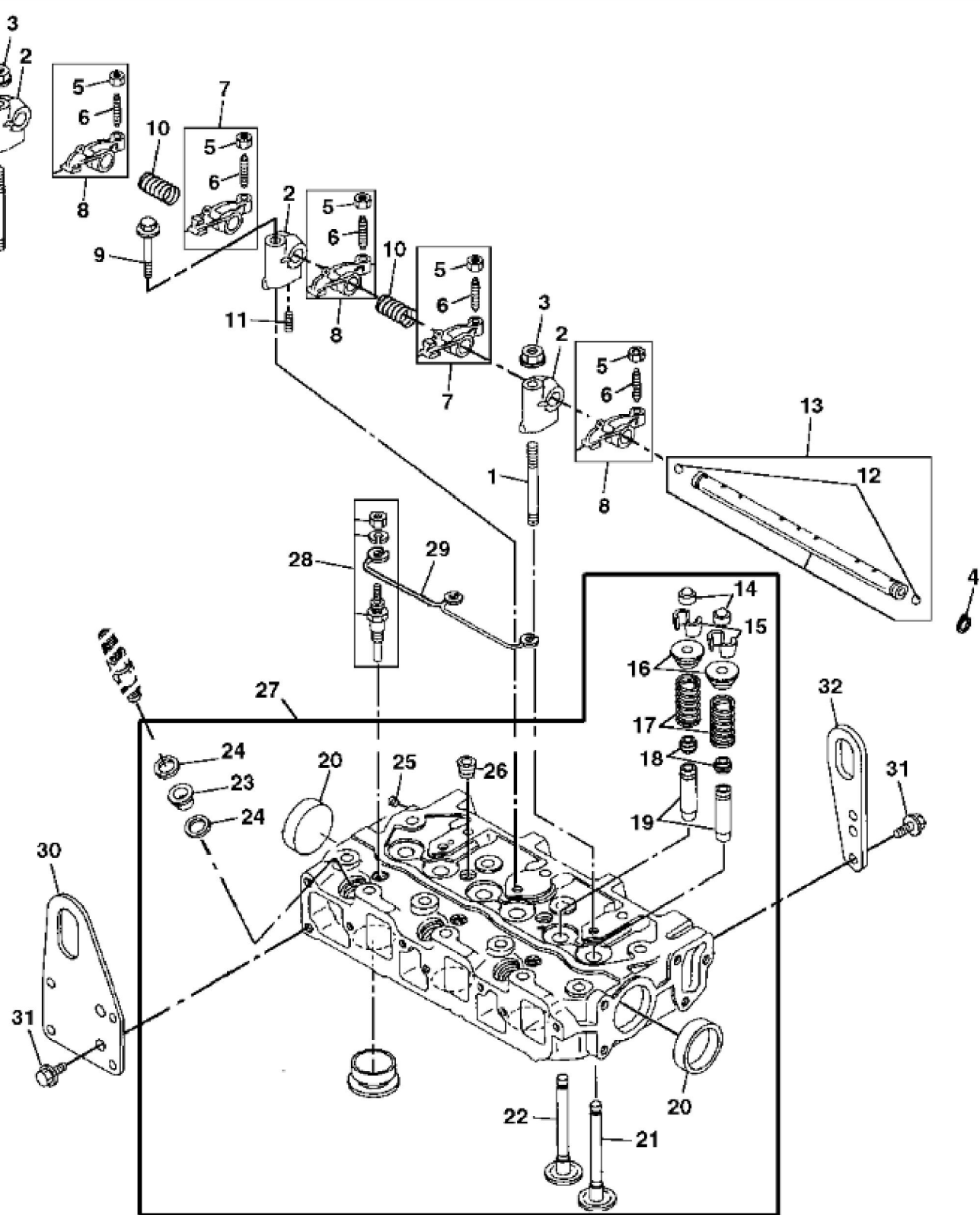
Hello dear friend!

Thank you very much for reading.

Enter the link into your browser.

The full manual is available for immediate download.

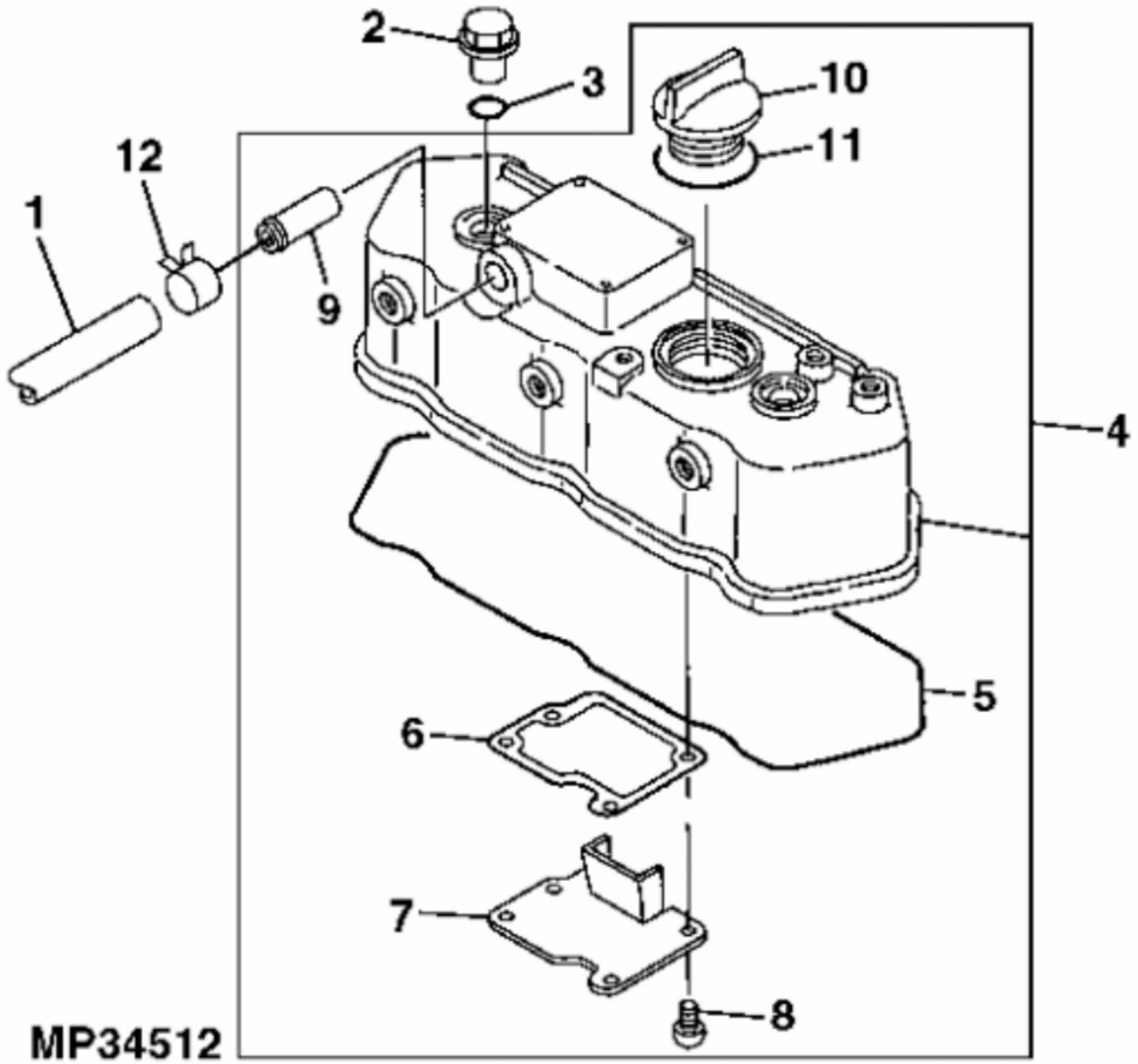
<https://www.ebooklibonline.com>



MP34513

John Deere > Turf And Utility > UTILITY VEHICLE > HPX - UTILITY VEHICLE > 4X2 HPX and 4X4 HPX (Diesel) Gator Utility Vehicle > 20 ENGINE, 3TNE68C-EJUV AM131103 > ST559340 - CYLINDER HEAD, VALVES AND ROCKER ARMS

KEY	PART NO.	PART NAME	QTY	REMARKS
1	M87836	STUD	2	
2	M800024	SUPPORT	3	ROCKER ARM
3	14M7298	FLANGE NUT	2	M8
4	CH17950	RING	2	
5	14M7194	NUT	1	M6
6	M87841	SCREW	1	
7	AM875029	ROCKER ARM	3	EXHAUST
8	AM875028	ROCKER ARM	3	INTAKE
9	CH19101	BOLT	1	
10	M800025	SPRING	2	
11	M800069	SELF-LOCKING SCREW	1	
12	R63075	BALL	2	
13	AM875002	ROCKER ARM SHAFT	1	
14	M800023	CAP	6	
15	AM878864	RETAINER	6	(2/PKG)
16	M800020	HOLDER	6	
17	M800019	SPRING	6	VALVE
18	M800022	SEAL	6	NLA; ORDER MIU801996; VALVE STEM
18	MIU801996	SEAL	6	
19	M800067	GUIDE	6	VALVE
20	CH17438	PLUG	2	
21	M800017	INTAKE VALVE	3	
22	M800018	EXHAUST VALVE	3	
23	M89134	PACKING	3	
24	M89135	GASKET	6	NOZZLE
25	M87831	PLUG	1	
26	M806938	PLUG	2	
27	AM878678	CYLINDER HEAD	1	
28	M87919	GLOW PLUG	3	
29	M87920	ELEC. CONNECTOR TERMINAL	1	GLOW PLUG
30	M811608	BRACKET	1	LIFT EYE
31	CH19780	BOLT	4	
32	M811037	VALVE LIFTER	1	LIFT EYE



MP34512



Suggest:

For more complete manuals. Please go to the home page.

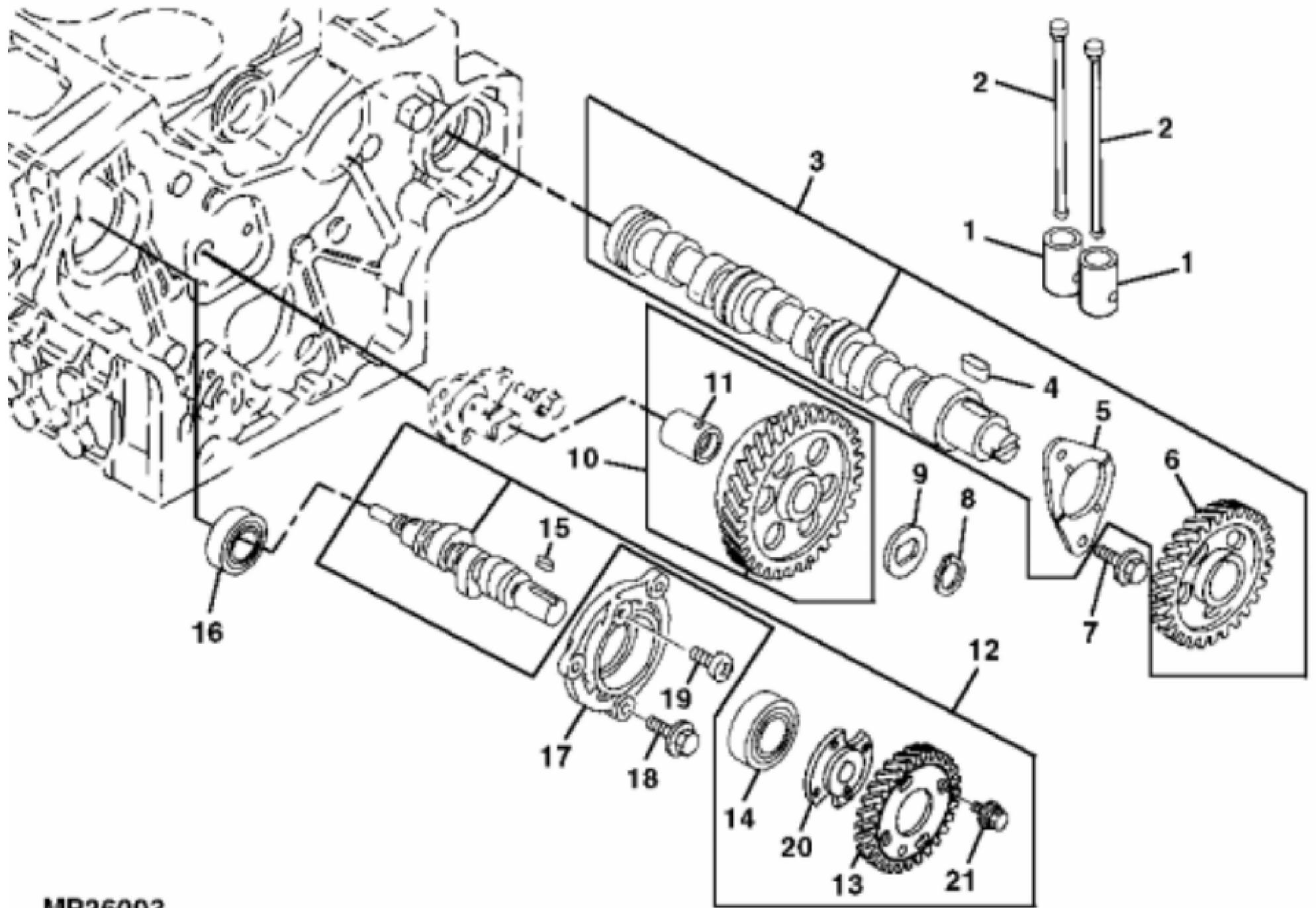
<https://www.ebooklibonline.com>

If the above button click is invalid. Please download this document first, and then click the above link to download the complete manual.

Thank you so much for reading

John Deere > Turf And Utility >UTILITY VEHICLE >HPX - UTILITY VEHICLE >4X2 HPX and 4X4 HPX (Diesel) Gator Utility Vehicle >20 ENGINE, 3TNE68C-EJUV AM131103 >ST559341 - COVER ASSEMBLY, CYLINDER HEAD

KEY	PART NO.	PART NAME	QTY	REMARKS
1	AM882215	PIPE	1	500MM, CUT TO LENGTH, (SUB FOR M89133)
2	CH10348	NUT	2	
3	CH10568	PACKING	2	
4	AM882586	COVER KIT	1	(SUB FOR AM875027)
5	M809218	GASKET	1	(SUB FOR M807038 AND M802059); Bonnet
6	M805818	GASKET	1	Baffle
7	M800014	DEFLECTOR	1	
8	M807374	SCREW	4	
9	M807038	TUBE	1	
10	M805710	CAP	1	
11	M805711	PACKING	1	
12	M808318	CLAMP	1	
13	CH10061	RIVET	4	(Not Illustrated)



MP26003

<https://www.ebooklibonline.com>

Hello dear friend!

Thank you very much for reading.

Enter the link into your browser.

The full manual is available for immediate download.

<https://www.ebooklibonline.com>