

MP35330

KEY	PART NO.	PART NAME	QTY	Serial No.	REMARKS
1	14M7401	LOCK NUT	6		M12
2	DMA210529	ISOLATOR	4		
3	24H1734	WASHER	4		17/32" X 1-3/4" X 0.105"
4	19M7817	SCREW	4		M12 X 70
5	19M7866	SCREW	3		M8 X 20
6	19M7786	SCREW	2		M10 X 30
7	19M7814	SCREW	2		M12 X 50
8	DMU211104	BRACKET	1		FRONT MOUNT
9	AM133453	DIESEL ENGINE	1	____-030100	(3TNV82A-KJMZ);NLA SUB AM882051
9	MIA10863	DIESEL ENGINE	1	____-070000	(3TNV82A-BKJMZ)
9	MIA12553	DIESEL ENGINE	1	070001-080000	(3TNV82A-BKJMZ)
9	MIA12426	DIESEL ENGINE	1	080001-____	(3TNV82A-BKJMZT) NLA; ORDER MIA882680
9	MIA882680	SHORT BLOCK ASSEMBLY	1		3TNV82A-BKJMZ; SUB FOR MIA880853
9	AM882051	SHORT BLOCK ASSEMBLY	1		NLA; ORDER MIA882679
10	TCA18808	BRACKET	2		REAR MOUNT (SUB FOR DMU211134)
11	TCU33294	SELF-LOCKING SCREW	8		SUB FOR DMU211511

**<https://www.ebooklibonline.com>**

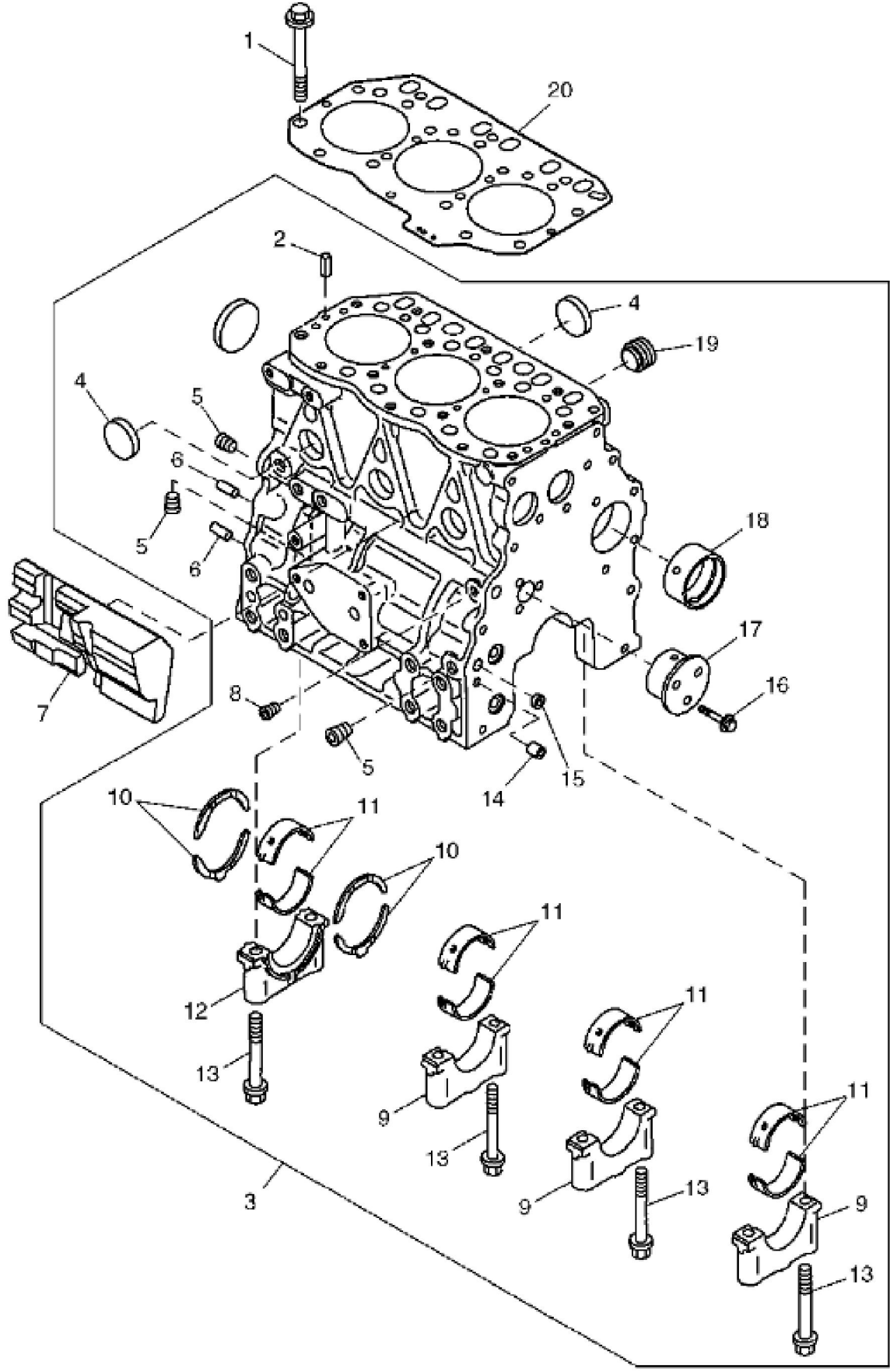
Hello dear friend!

Thank you very much for reading.

Enter the link into your browser.

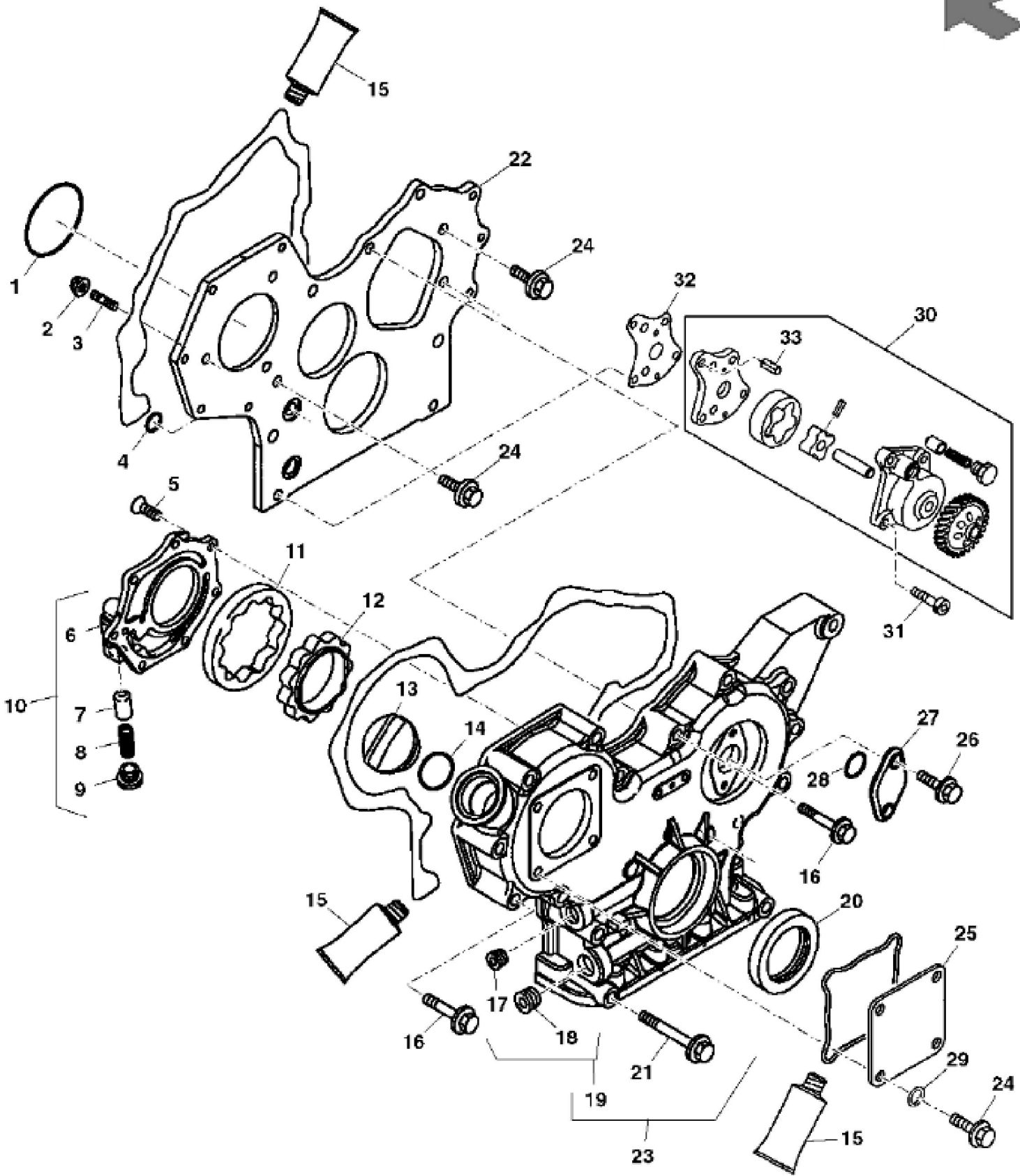
The full manual is available for immediate download.

**<https://www.ebooklibonline.com>**



## BLOCK AND MAIN BEARINGS

KEY	PART NO.	PART NAME	QTY	Serial No.	REMARKS
1	M800970	BOLT	14		
2	CH18079	SPRING PIN	2		
3	AM881997	CYLINDER BLOCK	1	____-030100	
3	MIA880848	CYLINDER BLOCK	1	030101-____	
4	30M7023	PLUG	6		
5	CH10335	PLUG	3		
6	M802255	PIN	4		
7	M811352	SPACER	1		
8	CH10314	PLUG	1		
9	.....	BEARING CAP	3		(ORDER AM881997)
10	MIA880553	BEARING	2		STD (SUB FOR AM875301)
10	MIA880557	BEARING	2		0.25MM (0.010") US, MAIN (SUB FOR AM875594)
11	MIA880559	BEARING KIT	4		STD (SUB FOR AM882053)
11	MIA880549	BEARING	4		0.25MM (0.010") US, MAIN (SUB FOR AM875302)
12	.....	BEARING CAP	1	____-030100	(ORDER AM881997)
12	.....	BEARING CAP	1	030101-____	(ORDER MIA880848)
13	M87879	BOLT	8		
14	M800974	PIPE	2		
15	M87801	PLUG	2		
16	19M8317	SCREW	3		M8 X 40
17	M811055	SHAFT	1	____-030100	IDLER GEAR
17	MIU800797	SHAFT	1	030101-____	
18	MIU800573	BUSHING	1		CAMSHAFT (SUB FOR M800977)
19	15H562	PIPE PLUG	1		1"
20	M810048	ENGINE CYLINDER HEAD GASKET	1		



PU01757

John Deere > Turf And Utility >TRACTOR, LAWN AND GARDEN >Z997 - TRACTOR, LAWN AND GARDEN >997 Mid-Mount ZTrak (Worldwide Edition) >20 ENGINE DMM210413 >ST501504 - GEAR CASE AND OIL PUMP

KEY	PART NO.	PART NAME	QTY	Serial No.	REMARKS
1	CH16940	O-RING	1		
2	14M7298	FLANGE NUT	3		M8
3	MIU800440	STUD	3		
4	M810185	O-RING	4		
5	M811061	SCREW	7	____-030100	
6	.....	COVER	1	____-030100	(ORDER AM881828)
7	.....	PRESSURE RELIEF VALVE	1	____-030100	(ORDER AM881828)
8	RG60607	SPRING	1	____-030100	
9	.....	PLUG	1	____-030100	LOW PRESSURE (ORDER AM881828)
10	AM881828	COVER	1	____-030100	LUBE OIL PUMP
11	M811060	ROTOR	1	____-030100	OUTER
12	M811059	ROTOR	1	____-030100	INNER
13	M805710	CAP	1		OIL FILL
14	M805711	PACKING	1		
15	M64850	SEALANT	AR		
16	19M7979	SCREW	12		M8 X 55
17	M806938	PLUG	1	____-030100	
18	LVU800081	PLUG	1		
19	.....	GEAR CASE	1	____-030100	(ORDER AM881791)
20	M811078	SEAL	1		
21	CH19136	BOLT	3		
22	M811042	FLANGE	1	____-030100	GEAR CASE
22	MIU800874	FLANGE	1	030101-____	
23	AM881791	GEAR CASE	1	____-030100	
23	MIA880879	GEAR CASE	1	030101-____	
24	19M7865	SCREW	7		M8 X 16
25	CH18096	COVER	1		
26	19M7774	SCREW	2		M6 X 12
27	MIU800476	COVER	1		(SUB FOR M87874)
28	CH13526	PACKING	1	____-030100	
28	CH17653	PACKING	1	030101-____	
29	M803523	WASHER	5	030101-____	
30	AM878778	PUMP	1	030101-____	
31	M800676	BOLT	4	030101-____	



**Suggest:**

**For more complete manuals. Please go to the home page.**

**<https://www.ebooklibonline.com>**

**If the above button click is invalid. Please download this document first, and then click the above link to download the complete manual.**

**Thank you so much for reading**

KEY	PART NO.	PART NAME	QTY	Serial No.	REMARKS	
32	M801005	GASKET	1	030101-____		
33	CH10539	SPRING PIN	1	030101-____		



**<https://www.ebooklibonline.com>**

Hello dear friend!

Thank you very much for reading.

Enter the link into your browser.

The full manual is available for immediate download.

**<https://www.ebooklibonline.com>**