

MP42392

KEY	PART NO.	PART NAME	QTY	REMARKS	
1	MIA12257	GASOLINE ENGINE	1	MARKED FX921V-AS10R	
2	19H3693	SCREW	4	3/8" X 1-1/4"	

<https://www.ebooklibonline.com>

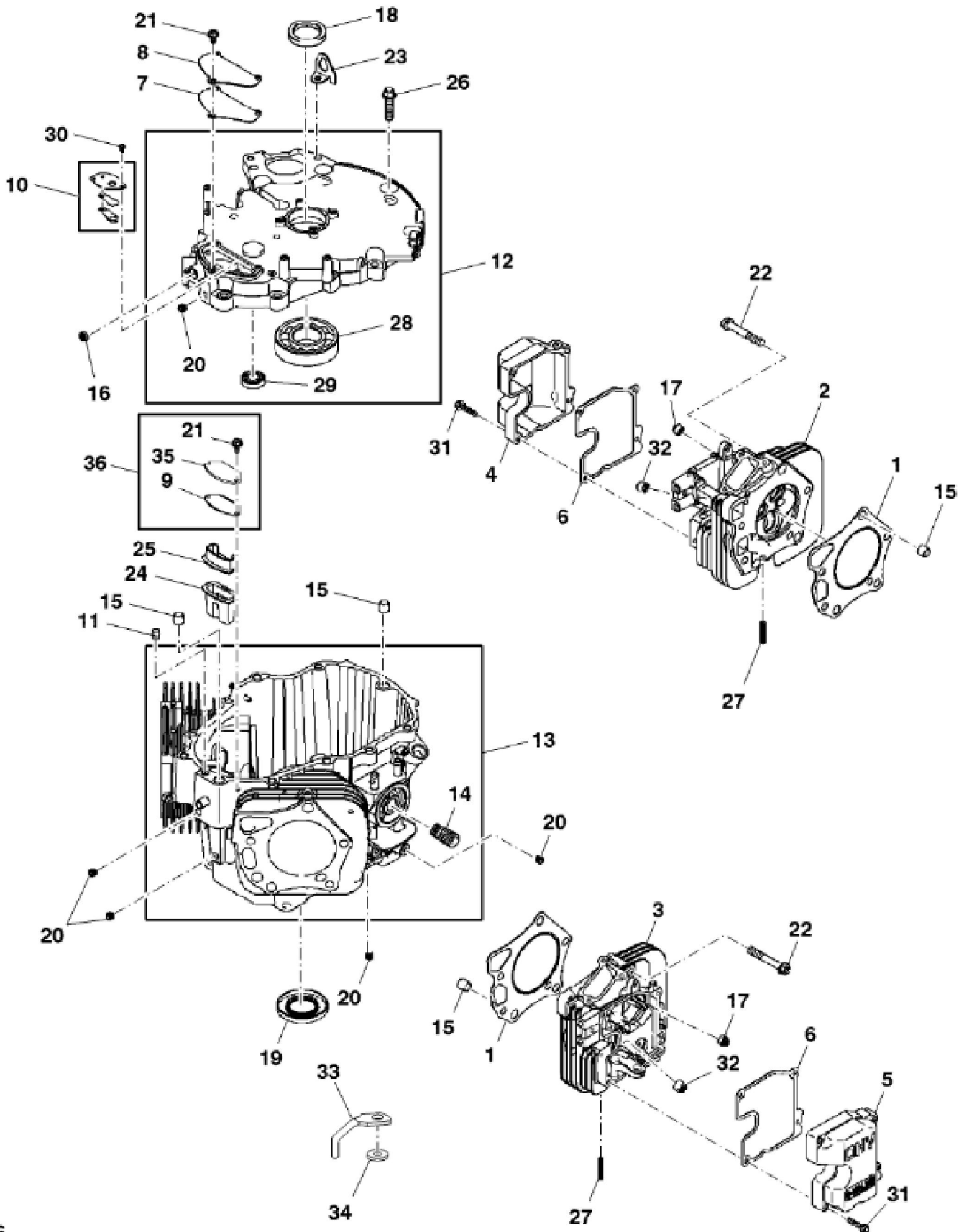
Hello dear friend!

Thank you very much for reading.

Enter the link into your browser.

The full manual is available for immediate download.

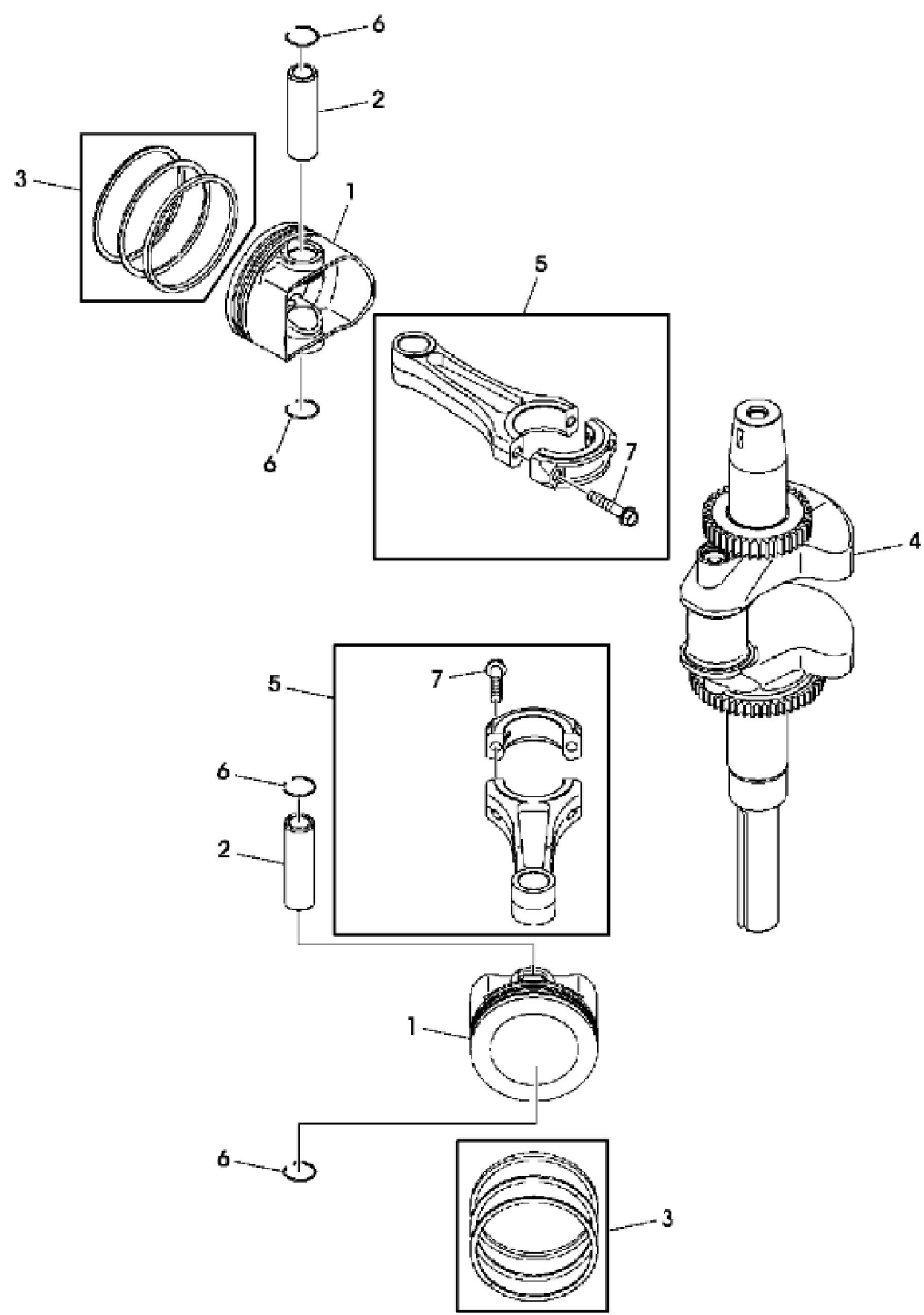
<https://www.ebooklibonline.com>



John Deere > Turf And Utility >TRACTOR, LAWN AND GARDEN >Z960R - TRACTOR, LAWN AND GARDEN >Z960R ZTrak R Series Mower >20 ENGINE TCM12342 >ST744375 - CYLINDER HEAD AND CRANKCASE

KEY	PART NO.	PART NAME	QTY	REMARKS
1	MIU12194	GASKET	2	
2	MIU13774	CYLINDER HEAD	1	No. 1
3	MIU13775	CYLINDER HEAD	1	No. 2
4	MIU13312	CASE	1	
5	MIU13313	CASE	1	
6	MIU12199	GASKET	2	Rocker Case
7	MIU12200	GASKET	1	Breather
8	MIU12202	PLATE	1	Breather
9	MIU13860	GASKET	1	Breather
10	MIU12201	BREATHER	1	
11	MIU14507	PIPE	1	SUB FOR MIU11770
12	MIA11505	COVER	1	Crankcase
13	MIA11506	CRANKCASE	1	NLA; ORDER MIA12733
13	MIA12733	CRANKCASE	1	
14	M127431	ADAPTER FITTING	1	
15	M74163	PIN	6	
16	M151774	SEAL	1	
17	M138389	SEAL	4	
18	MIU11773	SEAL	1	
19	MIU12207	SEAL	1	
20	M147270	PLUG	5	NLA; ORDER MIU14001
20	MIU14001	PLUG	5	
21	MIU11325	BOLT	5	M6 X 12
22	MIU12209	BOLT	10	
23	MIU12477	HOOK	1	
24	MIU12205	PIPE	1	
25	MIU12206	PIPE	1	
26	19M7804	SCREW	11	M10 X 40
27	M138395	STUD	4	NLA; ORDER MIU11736
27	MIU11736	BOLT	4	NLA; ORDER MIU12726
27	MIU12726	STUD	4	
28	MIU13981	BALL BEARING	1	
29	MIU12193	BALL BEARING	1	
30	21M7244	SCREW	2	M4 X 8

KEY	PART NO.	PART NAME	QTY	REMARKS	
31	19M7796	SCREW	8	M6 X 30	
32	M152964	SEAL	2		
33	TCU26943	GUIDE	1	NLA; ORDER TCU33513; Belt	
33	TCU33513	GUIDE	1		
34	24M7178	WASHER	1	10.500 X 30 X 2.500 mm	
35	MIU13926	COVER	1		
36	MIA12511	COVER KIT	1		
37	TCA20670	ELBOW FITTING	1	Not Illustrated	
38	24M7178	WASHER	3	10.500 X 30 X 2.500 mm, Not Illustrated	



PU01330



Suggest:

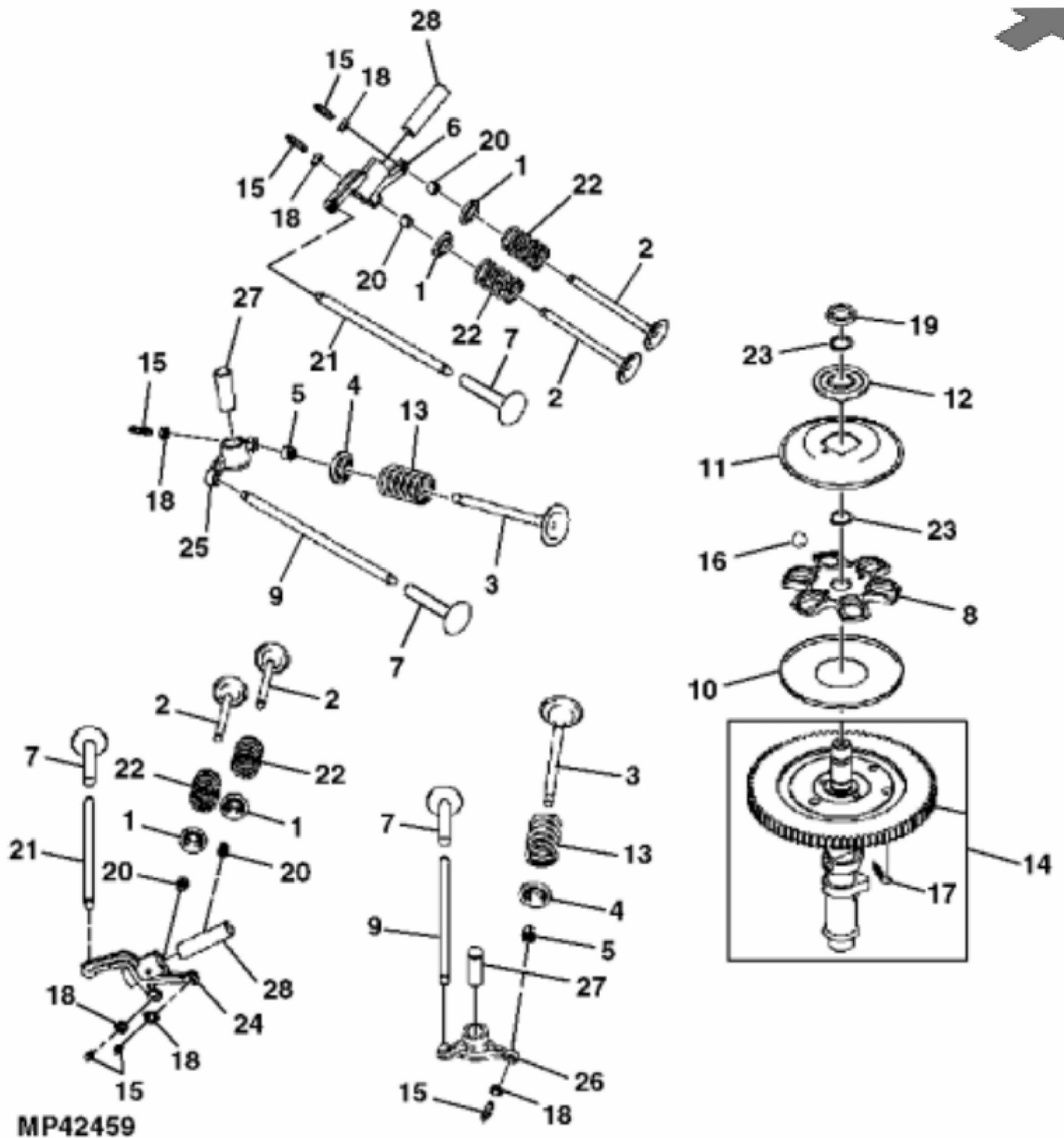
For more complete manuals. Please go to the home page.

<https://www.ebooklibonline.com>

If the above button click is invalid. Please download this document first, and then click the above link to download the complete manual.

Thank you so much for reading

KEY	PART NO.	PART NAME	QTY	REMARKS	
1	MIU13013	PISTON	2		
1	MIU13912	PISTON	1		
2	MIU12211	PISTON PIN	2		
3	MIU13014	PISTON RING	2		
3	MIU13910	PISTON RING	1		
4	MIU12215	CRANKSHAFT	1		
5	MIA12686	CONNECTING ROD	2	SUB FOR MIA11507	
6	MIU13982	SNAP RING	4		
7	M147310	BOLT	4		



<https://www.ebooklibonline.com>

Hello dear friend!

Thank you very much for reading.

Enter the link into your browser.

The full manual is available for immediate download.

<https://www.ebooklibonline.com>