

PU14132

KEY	PART NO.	PART NAME	QTY	Serial No.	REMARKS	
1	MIA11534	GASOLINE ENGINE	1	____-020000	MARKED FX801V-AS06; SUB MIA11916	
1	MIA11916	GASOLINE ENGINE	1	020001-030000	MARKED FX801V-BS06; SUB MIA12054	
1	MIA12054	GASOLINE ENGINE	1		NLA; ORDER MIA12163	
1	MIA12163	GASOLINE ENGINE	1	030001-040000	MARKED FX801V-DS06R	
1	MIA12255	GASOLINE ENGINE	1	040001-____	MARKED FX801V-AS11R; ORDER MIA13101	
1	MIA13101	GASOLINE ENGINE	1		MARKED FX801V-BS11R	
2	19H3693	SCREW	4		3/8" X 1-1/4"	
3	24M7178	WASHER	3		10.500 X 30 X 2.500 mm	

<https://www.ebooklibonline.com>

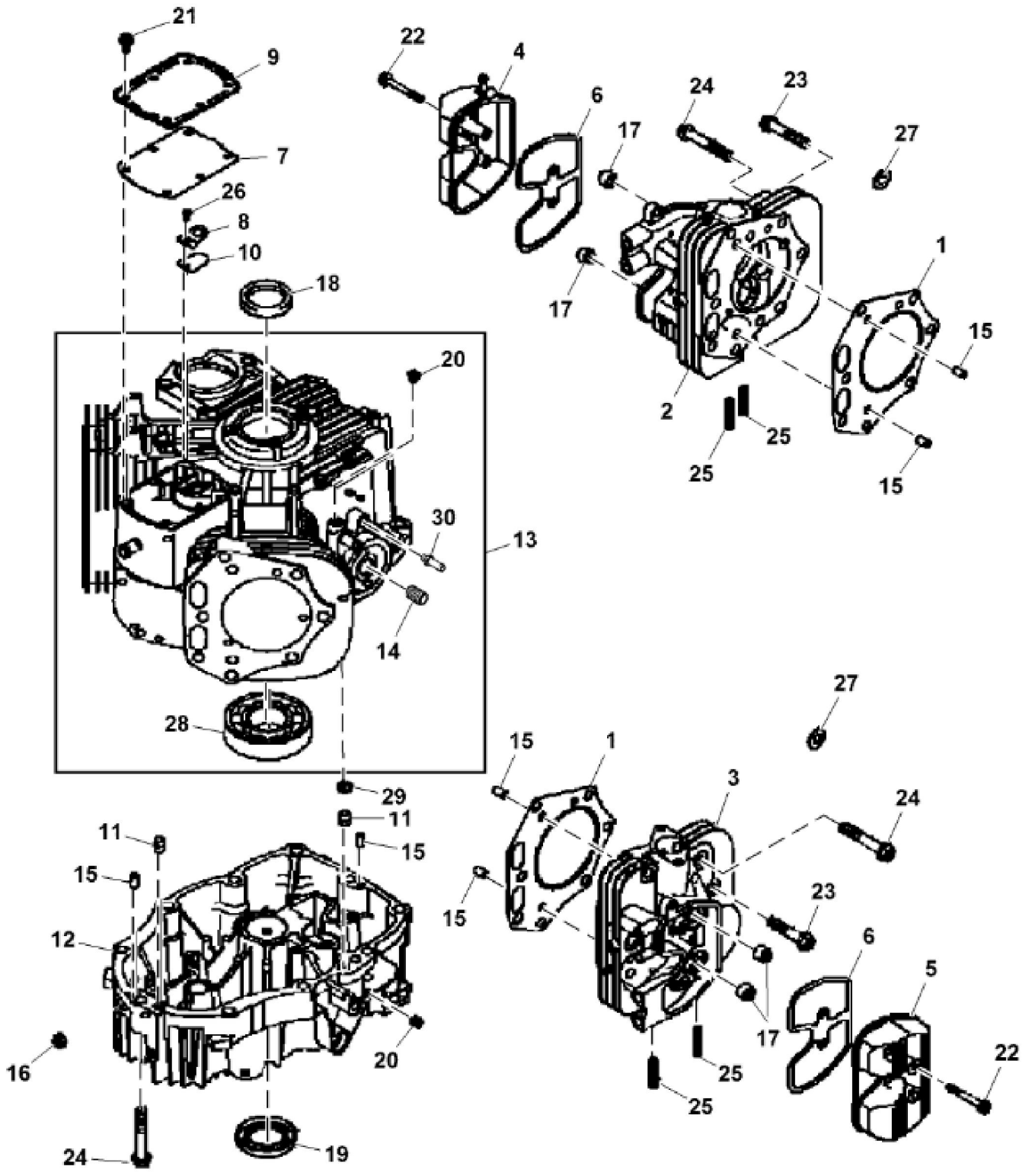
Hello dear friend!

Thank you very much for reading.

Enter the link into your browser.

The full manual is available for immediate download.

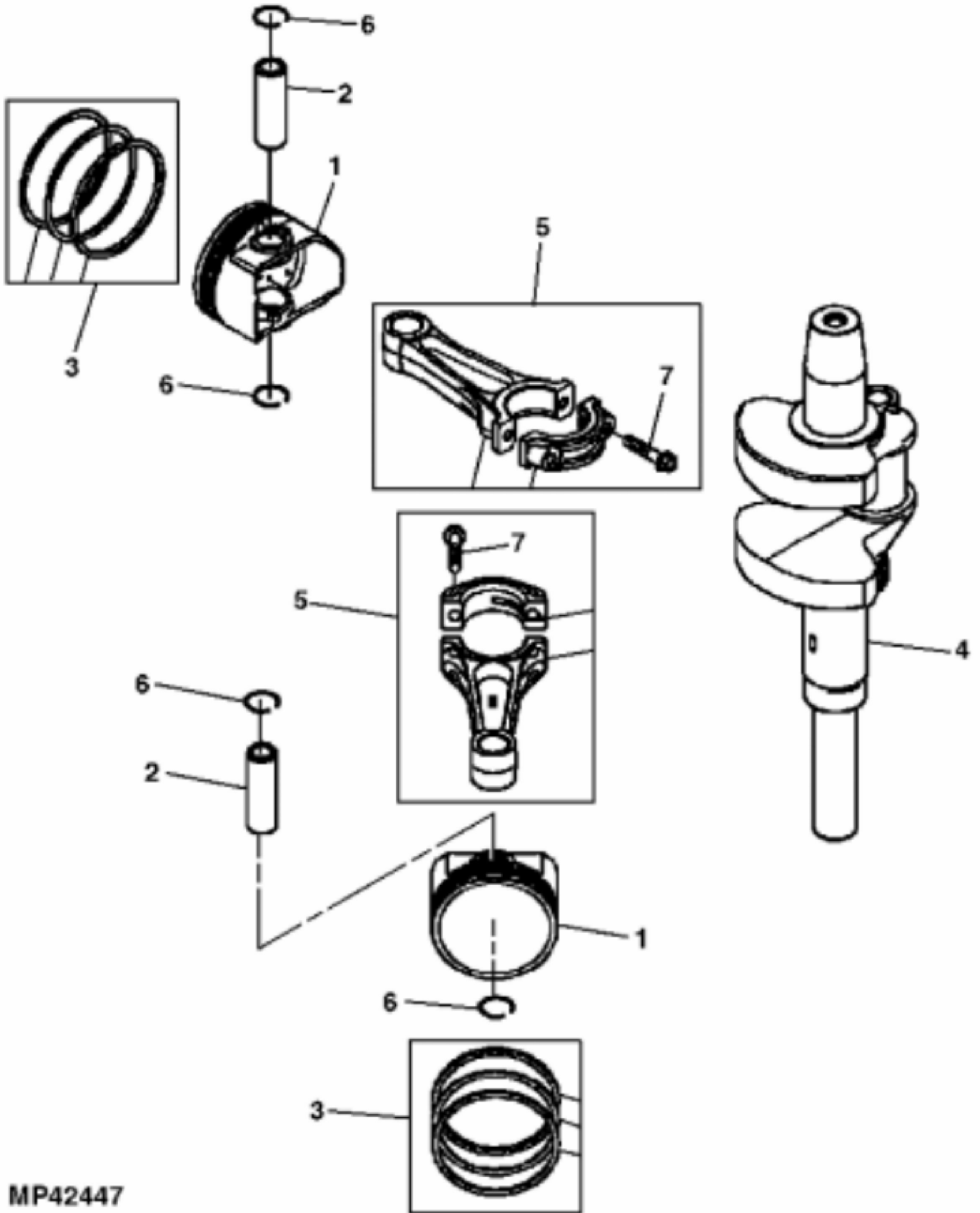
<https://www.ebooklibonline.com>



John Deere > Turf And Utility >TRACTOR, LAWN AND GARDEN >Z930A - TRACTOR, LAWN AND GARDEN >Z930A ZTrak Pro Series Mower >20 ENGINE TCM12339 >ST485727 - CYLINDER HEADS AND CRANKCASE

KEY	PART NO.	PART NAME	QTY	REMARKS
1	MIU11760	ENGINE CYLINDER HEAD GASKET	2	
2	UC11383	CYLINDER HEAD	1	SUB FOR MIU11761; No. 1
3	MIU11762	CYLINDER HEAD	1	No. 2
4	MIU11763	CASE	1	
5	MIU11764	CASE	1	
6	MIU14057	GASKET	2	SUB FOR MIU11765
7	MIU11766	GASKET	1	Breather
8	MIU11767	PLATE	1	NLA; ORDER MIU13821; Breather
8	MIU13821	PLATE	1	Breather
9	MIU11768	COVER	1	Breather
10	MIU11769	VALVE	1	Breather
11	MIU14507	PIPE	1	SUB FOR MIU11770
12	MIA11493	COVER	1	Crankcase
13	MIA12315	CRANKCASE	1	NLA; ORDER MIA12732; SUB FOR MIA11492
13	MIA12732	CRANKCASE	1	INCLUDES MIU13981
14	M127431	ADAPTER FITTING	1	
14	MIU13767	ADAPTER FITTING	1	MARKED FX801V-BS11-R
15	MIU11772	PIN	6	NLA; ORDER M74252
15	M74252	PIN	6	
16	M138392	SEAL	1	NLA; ORDER M151774
16	M151774	SEAL	1	
17	M152964	SEAL	4	
18	MIU11773	SEAL	1	
19	MIU11774	SEAL	1	
20	M147270	PLUG	1	NLA; ORDER MIU14001
20	MIU14001	PLUG	1	MARKED FX801V-BS11-R
21	MIU11325	BOLT	6	M6 X 12
22	MIU11874	BOLT	4	M6 X 50, SUB FOR MIU11775
23	MIU11776	BOLT	2	M10 X 50
24	MIU11777	BOLT	20	M10 X 60
25	M138395	STUD	4	NLA; ORDER MIU11736
25	MIU11736	BOLT	4	NLA; ORDER MIU12726
25	MIU12726	STUD	4	
26	21M7244	SCREW	1	M4 X 8

KEY	PART NO.	PART NAME	QTY	REMARKS	
27	24M7096	WASHER	2	10.500 X 18 X 1.600 mm	
28	MIU13981	BALL BEARING	1		
29	M76104	O-RING	2		
30	MIU14223	HOSE FITTING	2		



MP42447



Suggest:

For more complete manuals. Please go to the home page.

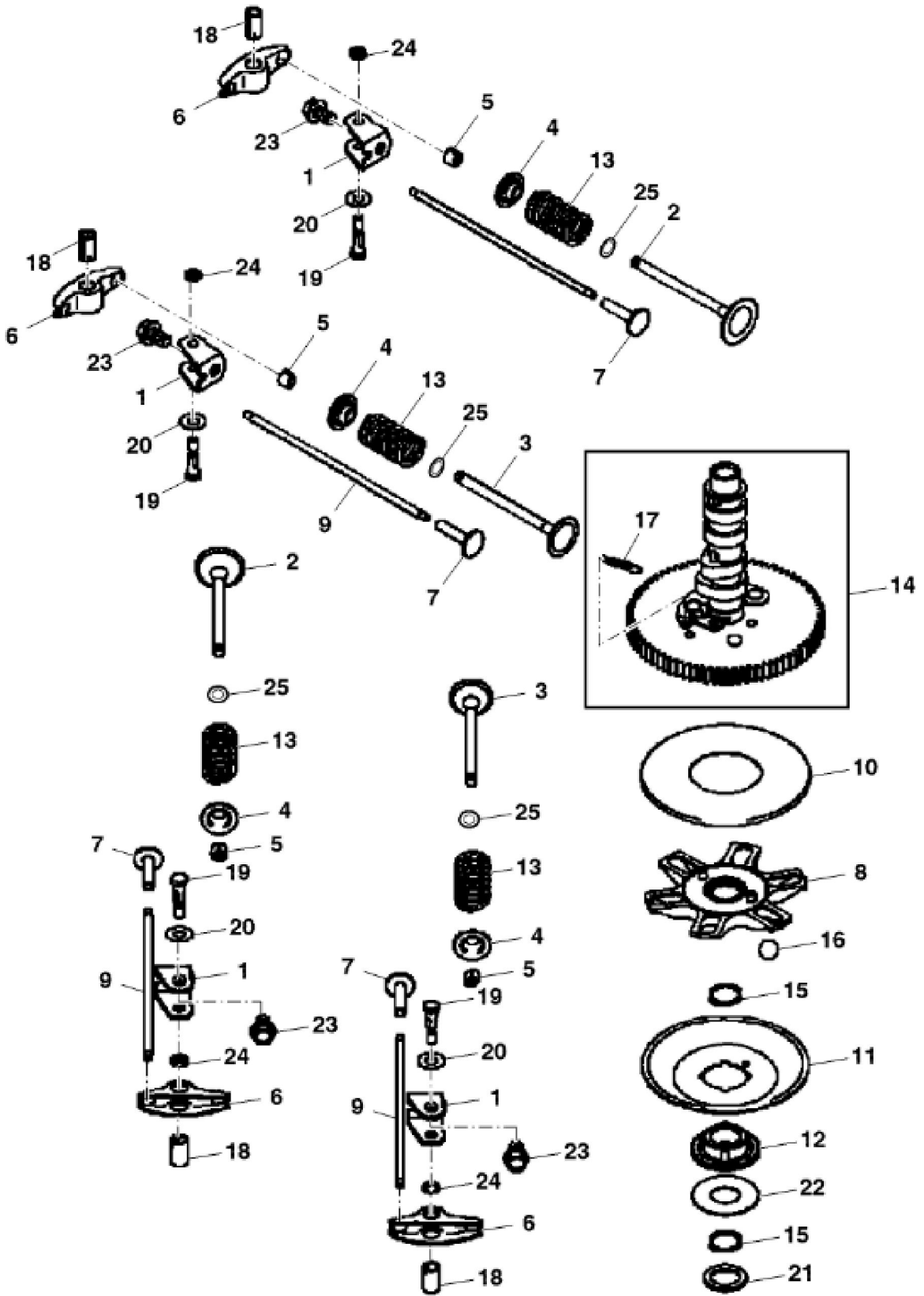
<https://www.ebooklibonline.com>

If the above button click is invalid. Please download this document first, and then click the above link to download the complete manual.

Thank you so much for reading

John Deere > Turf And Utility >TRACTOR, LAWN AND GARDEN >Z930A - TRACTOR, LAWN AND GARDEN >Z930A ZTrak Pro Series Mower >20 ENGINE TCM12339 >ST417590 - PISTON AND CRANKSHAFT

KEY	PART NO.	PART NAME	QTY	REMARKS
1	MIU11780	PISTON	2	
2	MIU11781	PISTON PIN	2	
3	MIA11247	PISTON RING KIT	2	
4	MIA11248	CRANKSHAFT	1	
5	MIA11249	CONNECTING ROD	2	ORDER MIA13083
5	MIA13083	CONNECTING ROD	2	
6	MIU11782	SNAP RING	4	NLA; ORDER MIU13987
6	MIU13987	SNAP RING	4	
7	M147310	BOLT	4	M7 X 35.2



<https://www.ebooklibonline.com>

Hello dear friend!

Thank you very much for reading.

Enter the link into your browser.

The full manual is available for immediate download.

<https://www.ebooklibonline.com>