

PU15986

KEY	PART NO.	PART NAME	QTY	REMARKS	
1	MIA12253	GASOLINE ENGINE	1	MARKED PS-ECV-740-3019; ORDER MIA13021	
1	MIA13021	GASOLINE ENGINE	1	MARKED PS-ECV-740-3042	
2	R56101	CLIP	2		

<https://www.ebooklibonline.com>

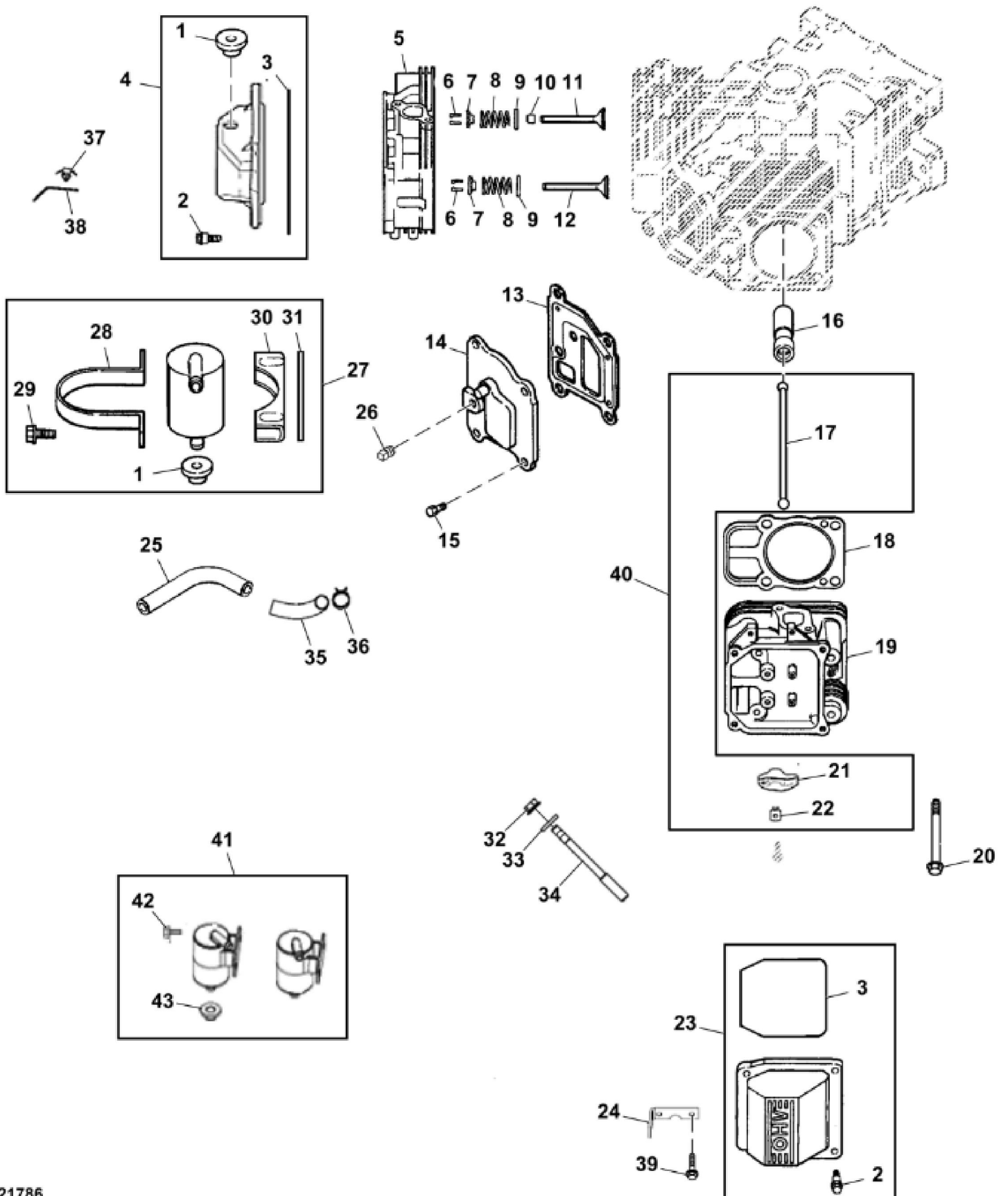
Hello dear friend!

Thank you very much for reading.

Enter the link into your browser.

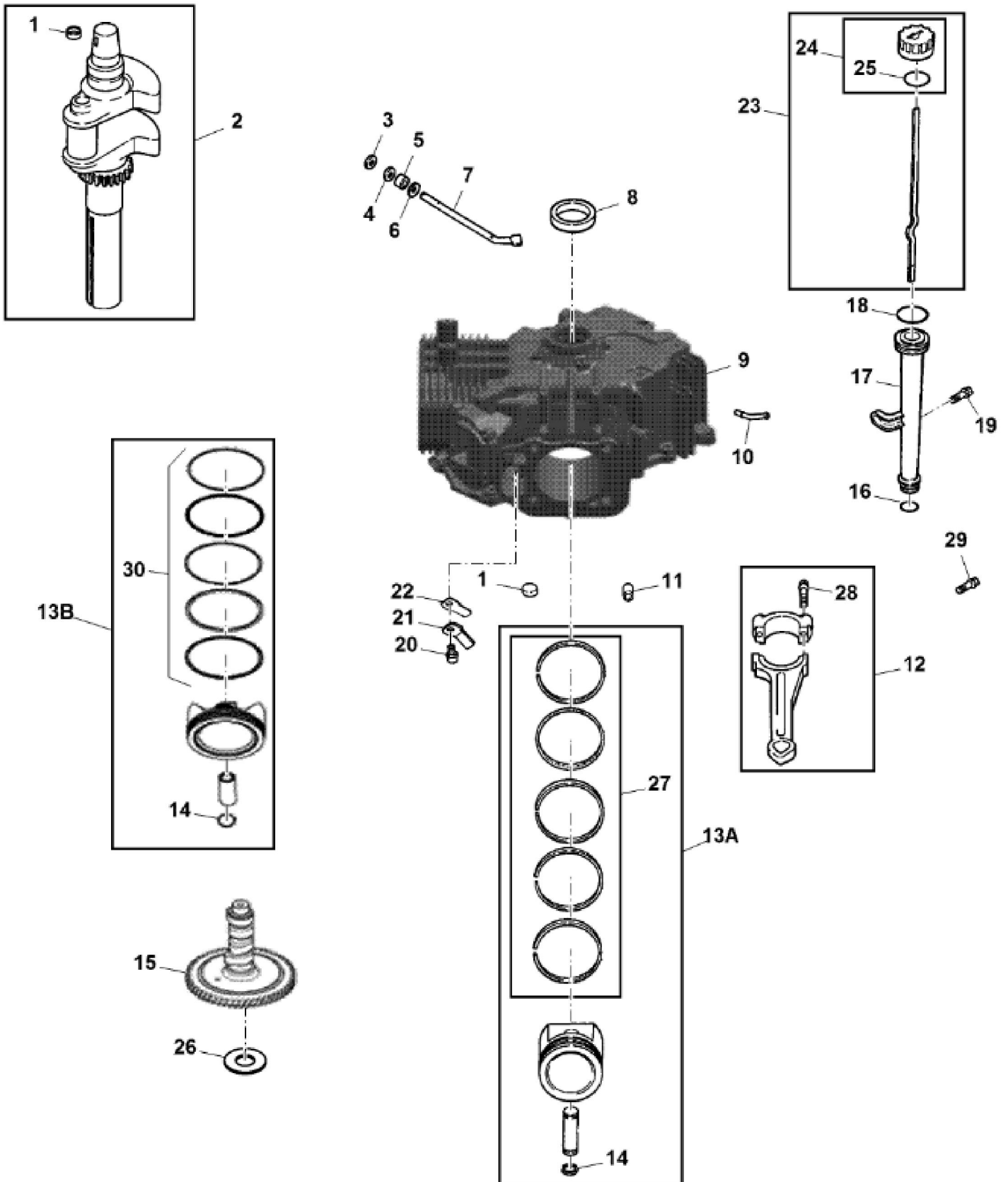
The full manual is available for immediate download.

<https://www.ebooklibonline.com>



KEY	PART NO.	PART NAME	QTY	REMARKS
1	M148338	GROMMET	1	
2	M132402	SCREW	4	SUB FOR M132350
3	MIU11443	GASKET	1	
4	AM134352	O-RING KIT	1	RH; W/ Breather
5	MIA12198	CYLINDER HEAD	1	USE WITH MIA12253; No - 1
5	MIA12797	CYLINDER HEAD	1	USE WITH MIA13021 OR MIA12650; No - 1
6	AM107043	RETAINER	4	2 Per Set
7	M92203	CAP	2	
8	M132352	SPRING	2	
9	M43123	RETAINER	2	
10	M146775	SEAL	1	ORDER MIU14137; SUB FOR M92202
10	MIU14137	SEAL	4	
11	M132353	INTAKE VALVE	1	STD
11	M132354	INTAKE VALVE	1	OS 0.25 mm
12	M132355	EXHAUST VALVE	1	STD
12	M132356	EXHAUST VALVE	1	OS 0.25 mm
13	MIU12491	GASKET	1	
14	MIU13277	COVER	1	
15	37M7459	SCREW	4	M6 X 20
15	MIU14036	SCREW	4	
16	MIU13278	VALVE LIFTER	4	USE WITH MIA12253 OR MIA12650
16	MIU14140	VALVE LIFTER	1	USE WITH MIA13021
17	M132357	PUSH ROD	4	
18	MIU13276	GASKET	2	Cylinder Head
19	MIA12199	CYLINDER HEAD	1	USE WITH MIA12253; No - 2
19	MIA12798	CYLINDER HEAD	1	USE WITH MIA13021 OR MIA12650; No - 2
20	19M7811	SCREW	8	M10 X 90
21	M131133	ROCKER ARM	4	
22	MIU11263	PIVOT	4	
23	AM134290	COVER KIT	1	LH
24	MIU12948	STRAP	1	
25	MIU13212	BREATHER	1	
26	15H558	PIPE PLUG	1	1/8"
27	AM126265	SEPARATOR KIT	1	ORDER MIA12725, Breather Separator
28	M134912	STRAP	1	ORDER MIA12725

KEY	PART NO.	PART NAME	QTY	REMARKS
29	MIU14033	SCREW	2	
30	M134913	BRACKET	1	
31	M134914	SPACER	1	
32	14M7298	FLANGE NUT	8	M8
33	M143943	WASHER	8	
34	M143942	STUD	8	
35	MIU11933	SLEEVE	1	
36	MIU13214	HOSE CLAMP	1	
37	MIU13213	CLIP	1	
38	MIU13211	BRACKET	1	Oxygen Sensor
39	37M7091	SCREW	2	M6 X 25
39	MIU14027	SCREW	1	
40	AM125389	VALVE TRAIN KIT	4	
41	MIA12725	SEPARATOR KIT	1	
42	MIU12950	SCREW	2	
43	MIU13209	GROMMET	1	
44	MIA10892	CYLINDER KIT	1	(Not Illustrated) INCLUDES (4) AM107043, (2) M92203, (2) M132352, (2) M43123, MIU14137, M132353, M132355, (4) M132357, (4) M131133, (4) MIU11263
45	MIU14032	SCREW	1	(Not Illustrated)
46	MIU11303	LABEL	2	(Not Illustrated)



John Deere > Turf And Utility >TRACTOR, LAWN AND GARDEN >ECV740 - TRACTOR, LAWN AND GARDEN >Z925M EFI ZTrak M Series Mower >20 ENGINE TCM12722 >ST744827 - CRANKSHAFT AND PISTONS

KEY	PART NO.	PART NAME	QTY	REMARKS
1	M76215	PLUG	2	
2	MIA12190	CRANKSHAFT	1	
3	M143941	SNAP RING	1	
4	M143936	WASHER	1	
5	M143970	SEAL	1	
6	M143939	WASHER	1	
7	M148328	SHAFT	1	Governor Cross
8	MIU11539	SEAL	1	
9	CRANKCASE	1	ORDER MIA12253
10	M134898	FITTING	1	
11	MIU11251	DOWEL PIN	6	
12	MIU13923	CONNECTING ROD	2	ORDER MIA12812
12	MIA12812	CONNECTING ROD	2	
13A	MIA12800	PISTON REPLACEMENT KIT	2	SUB FOR MIA12582; STD
13A	MIA12583	PISTON KIT	2	OS 0.08 MM, USE WITH MIA12253
13A	MIA12584	PISTON KIT	2	OS 0.25 MM, USE WITH MIA12253 OR MIA13021
13A	MIA12585	PISTON KIT	1	OS 0.50 MM, USE WITH MIA12253
13A	MIA12192	PISTON KIT	1	STD, USE WITH MIA13021
13A	MIA12193	PISTON KIT	2	OS 0.08 MM, USE WITH MIA13021
13A	MIA12195	PISTON KIT	2	OS 0.50 MM, USE WITH MIA13021
13B	MIA12823	PISTON KIT	2	OS 0.08 MM, USE WITH MIA12650 OR MIA13021
13B	MIA12824	PISTON KIT	2	OS 0.25 MM, USE WITH MIA12650 OR MIA13021
13B	MIA12825	PISTON KIT	2	OS 0.50 MM, USE WITH MIA12650 OR MIA13021
14	M132341	RETAINER	4	
15	MIA12196	CAMSHAFT	1	
16	M92193	O-RING	1	
17	MIU11957	TUBE	1	
18	M92194	O-RING	1	
19	MIU11902	SCREW	1	
20	M138311	SCREW	2	
20	M93483	SCREW	2	
21	M134899	RETAINER	2	
22	M134900	BREATHER	2	
23	AM126257	DIPSTICK	1	



Suggest:

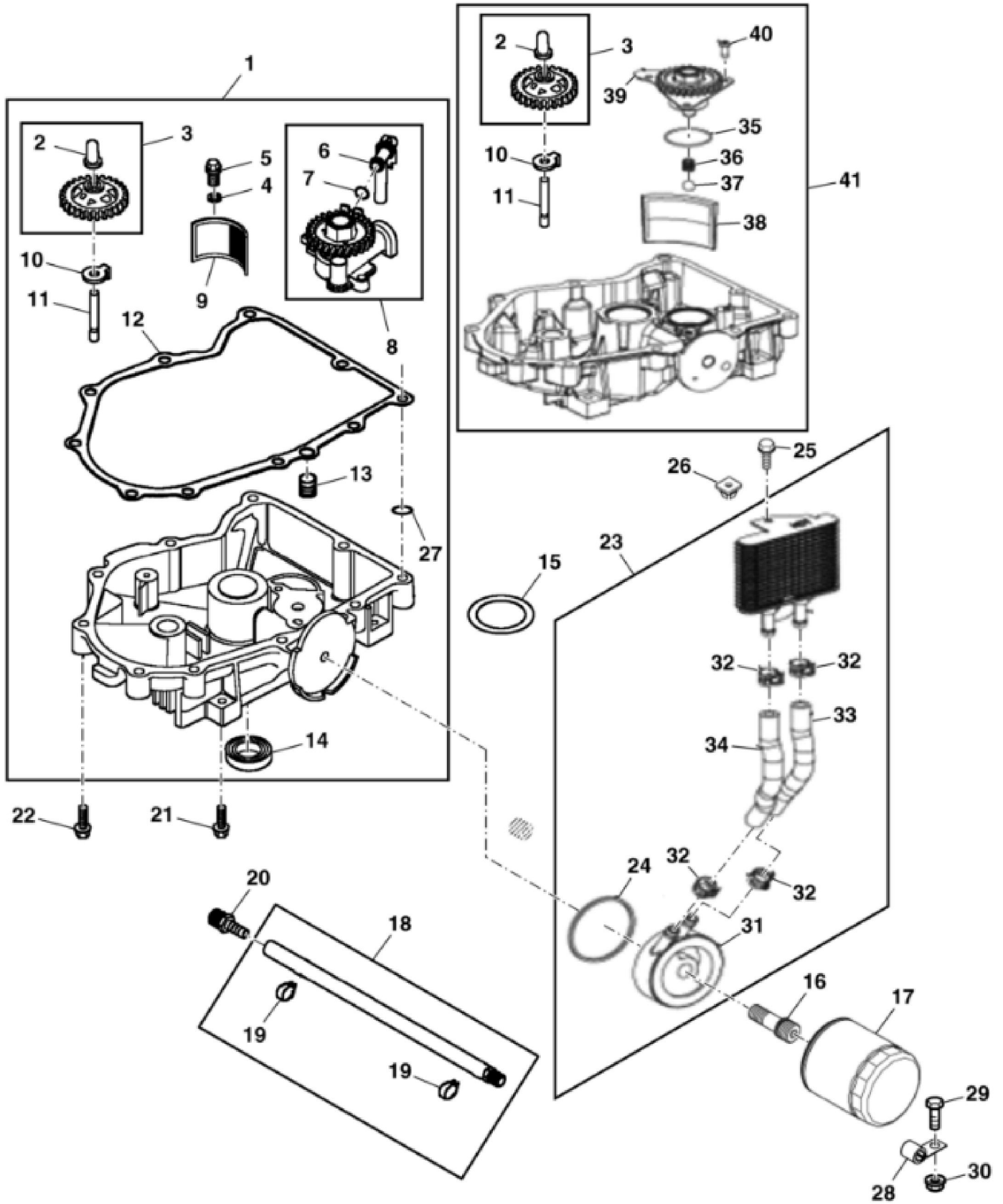
For more complete manuals. Please go to the home page.

<https://www.ebooklibonline.com>

If the above button click is invalid. Please download this document first, and then click the above link to download the complete manual.

Thank you so much for reading

KEY	PART NO.	PART NAME	QTY	REMARKS
24	AM124450	CAP KIT	1	
25	M148124	O-RING	1	
26	M93955	SOLID SHIM	1	.028", White
27	MIU14302	PISTON RING	2	STD, USE WITH MIA12650
27	MIU14303	PISTON RING	2	OS 0.08 MM, USE WITH MIA12650
27	MIU14304	PISTON RING	2	OS 0.25 MM, USE WITH MIA12650
27	MIU14305	PISTON RING	2	OS 0.50 MM, USE WITH MIA12650
27	MIA11129	RING	2	STD, USE WITH MIA13021
27	MIU13203	RING	2	OS 0.50 MM, USE WITH MIA13021
28	MIA12826	BOLT	4	Engine MARKED ECV740
29	MIU14033	SCREW	1	
30	MIU14302	PISTON RING	2	STD, USE WITH MIA12650 OR MIA13021
30	MIU14303	PISTON RING	2	OS 0.08 MM, USE WITH MIA12650 OR MIA13021
30	MIU14304	PISTON RING	2	OS 0.25 MM, USE WITH MIA12650 OR MIA13021
30	MIU14305	PISTON RING	1	OS 0.50 MM, USE WITH MIA12650 OR MIA13021



<https://www.ebooklibonline.com>

Hello dear friend!

Thank you very much for reading.

Enter the link into your browser.

The full manual is available for immediate download.

<https://www.ebooklibonline.com>