

PU07852

John Deere > Turf And Utility > TRACTOR, LAWN AND GARDEN > Z925M - TRACTOR, LAWN AND GARDEN > Z925M EFI Flex Fuel ZTrak M Series Mower (with 54 or 60-inch deck) > 20 ENGINE TCM12724 > ST755810 - ENGINE

KEY	PART NO.	PART NAME	QTY	REMARKS	
1	MIA12351	GASOLINE ENGINE	1	MARKED PS-FCV740V-3011; ORDER MIA12652	
1	MIA12652	GASOLINE ENGINE	1	MARKED PS-FCV740-3012	

<https://www.ebooklibonline.com>

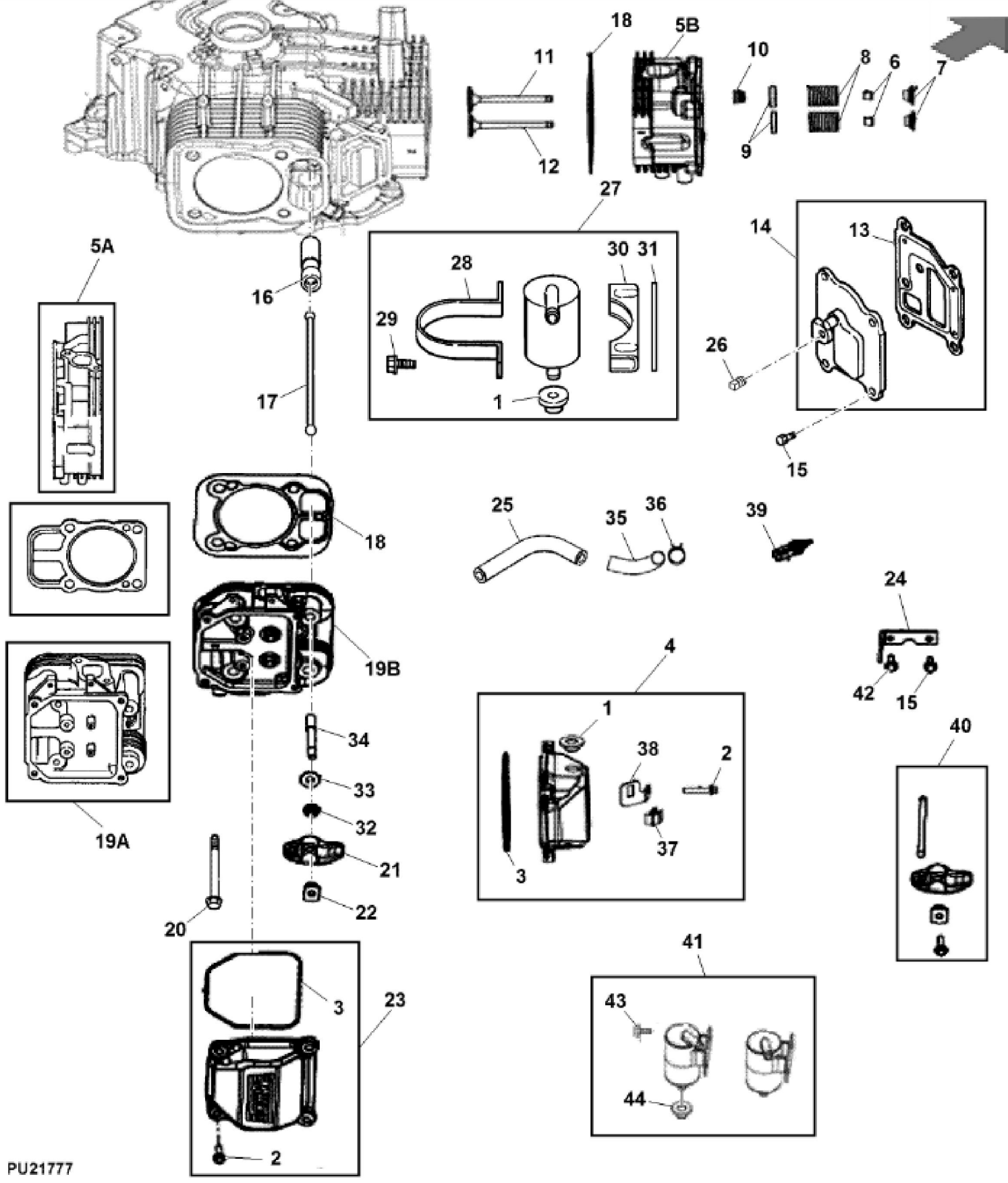
Hello dear friend!

Thank you very much for reading.

Enter the link into your browser.

The full manual is available for immediate download.

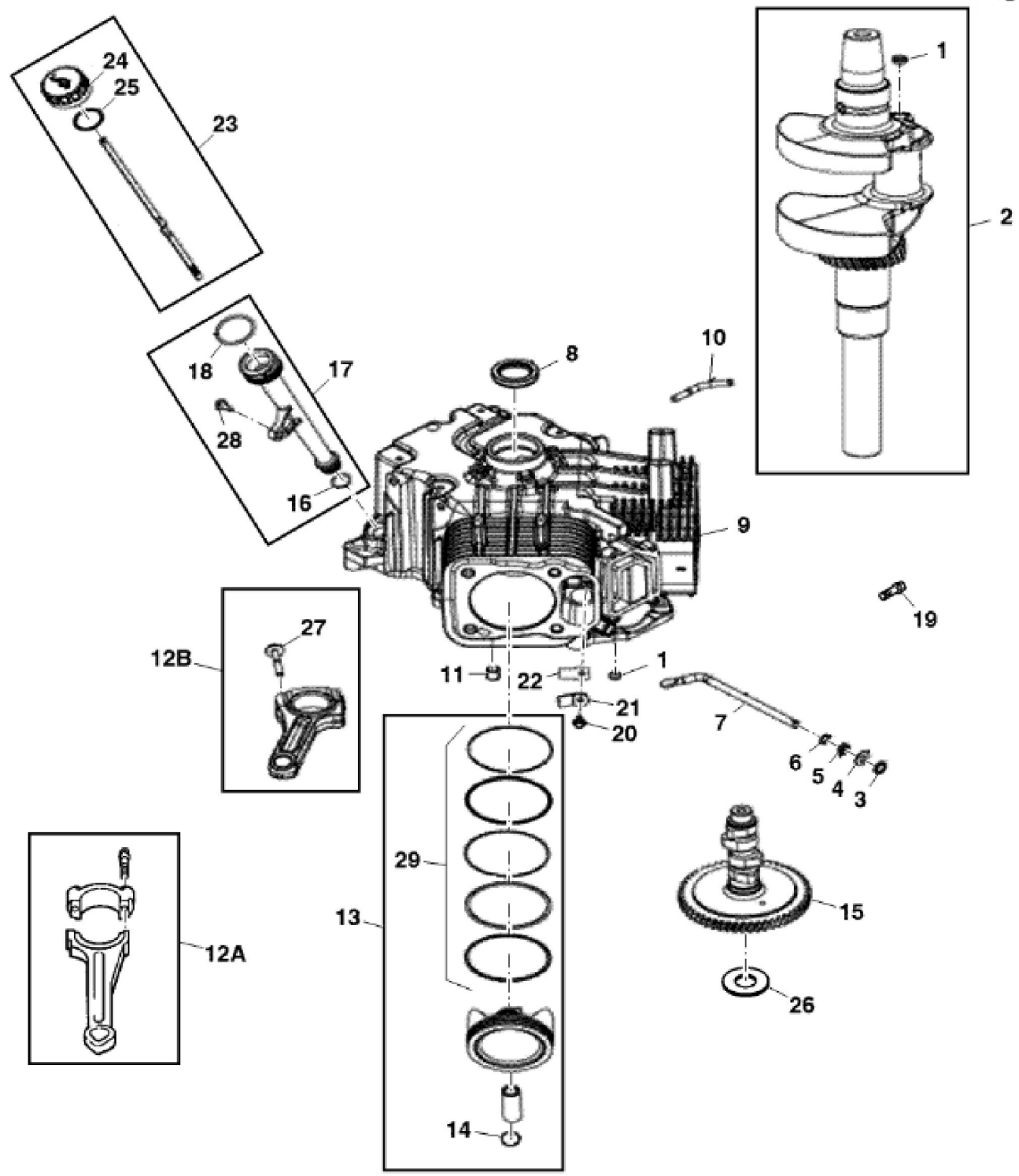
<https://www.ebooklibonline.com>



>ST794302 - CYLINDER HEAD

KEY	PART NO.	PART NAME	QTY	REMARKS
1	M148338	GROMMET	1	Rubber
2	M132402	SCREW	4	
3	M149188	O-RING	2	
3	MIU11443	O-RING	2	
4	AM134352	O-RING KIT	1	RH (W/ Breather)
5A	MIA12198	CYLINDER HEAD	1	USE WITH MIA12351
5B	MIA12797	CYLINDER HEAD	1	USE WITH MIA12652
6	AM107043	RETAINER	8	(2 Per Set)
7	M92203	CAP	4	
8	M132352	SPRING	4	
9	M43123	RETAINER	4	
10	M146775	SEAL	4	NLA; ORDER MIU14137
10	MIU14137	SEAL	4	
11	M132353	INTAKE VALVE	2	(STD)
11	M132354	INTAKE VALVE	2	.25 MM (.010"), OS
12	M132355	EXHAUST VALVE	2	(STD)
12	M132356	EXHAUST VALVE	2	.25 MM (.010"), OS
13	MIU12491	GASKET	1	
14	MIU13277	COVER	1	
15	37M7131	SCREW	4	M6 X 20
15	MIU14036	SCREW	4	
15	37M7091	SCREW	4	M6 X 25
16	MIU13278	VALVE LIFTER	4	
17	M132357	PUSH ROD	4	
18	MIU13276	GASKET	2	
19A	MIA12199	CYLINDER HEAD	1	USE WITH MIA12351
19B	MIA12798	CYLINDER HEAD	1	USE WITH MIA12652
20	19M7811	SCREW	8	M10 X 90
21	M131133	ROCKER ARM	4	
22	MIU11263	PIVOT	4	Rocker Arm
23	AM134290	COVER KIT	1	Valve
24	MIU12948	STRAP	1	Lifting
25	MIU13212	BREATHER	1	Hose
26	15H558	PIPE PLUG	1	1/8"

KEY	PART NO.	PART NAME	QTY	REMARKS
27	AM126265	SEPARATOR KIT	1	ORDER MIA12725, Breather Separator
28	M134912	STRAP	1	ORDER MIA12725, Breather
29	MIU14033	SCREW	2	
30	M134913	BRACKET	1	Breather Separator
31	M134914	SPACER	1	
32	14M7298	FLANGE NUT	8	M8
33	M143943	WASHER	8	
34	M143942	STUD	8	
35	MIU11933	SLEEVE	1	Anti Abration
36	MIU13214	HOSE CLAMP	1	
37	MIU13213	CLIP	1	
38	MIU13211	BRACKET	1	Oxygen Sensor
39	MIU13215	TEMPERATURE SENSOR	1	
40	AM125389	VALVE TRAIN KIT	4	
41	MIA12725	SEPARATOR KIT	1	
42	MIU14027	SCREW	1	
43	MIU12950	SCREW	2	
44	MIU13209	GROMMET	1	
45	MIA10892	CYLINDER KIT	1	(Not Illustrated)
46	GC00331	SCREW	4	(Not Illustrated)
47	MIU14032	SCREW	1	(Not Illustrated)
48	MIU11303	LABEL	2	(Not Illustrated)
49	M148338	GROMMET	1	(Not Illustrated)



John Deere > Turf And Utility >TRACTOR, LAWN AND GARDEN >Z925M - TRACTOR, LAWN AND GARDEN >Z925M EFI Flex Fuel ZTrak M Series Mower (with 54 or 60-inch deck) >20 ENGINE TCM12724
>ST794443 - CRANKSHAFT AND PISTON ASSEMBLY

KEY	PART NO.	PART NAME	QTY	Serial No.	REMARKS
1	M76215	PLUG	2		
2	MIA12190	CRANKSHAFT	1		Non-Thrust Style
3	M143941	SNAP RING	1		Retainer
4	M143936	WASHER	1		
5	M143970	SEAL	1		Governor Cross Shaft
6	M143939	WASHER	1		
7	M148328	SHAFT	1		Governor Cross
8	MIU11539	SEAL	1		Front Oil
9	...	CRANKCASE	1		ORDER MIA12652
10	M134898	FITTING	1		
11	MIU11251	DOWEL PIN	6		
12A	MIU13923	CONNECTING ROD	2		ORDER MIA12812
12B	MIA12812	CONNECTING ROD	2		
13	MIA12800	PISTON REPLACEMENT KIT	2		SUB FOR MIA12582; STD
13	MIA12583	PISTON KIT	2		0.08 MM, USE WITH MIA12351
13	MIA12584	PISTON KIT	2		0.25 MM, USE WITH MIA12351
13	MIA12585	PISTON KIT	2		0.50 MM, USE WITH MIA12351
13	MIA12823	PISTON KIT	2		+0.08 MM, USE WITH MIA12652
13	MIA12824	PISTON KIT	2		+0.25 MM, USE WITH MIA12652
13	MIA12825	PISTON KIT	2		+0.50 MM, USE WITH MIA12652
14	M132341	RETAINER	4		Piston pin
15	MIA12196	CAMSHAFT	1		Kit
16	M92193	O-RING	1		Lower Oil Fill Tube
17	MIU11957	TUBE	1		Oil Fill
18	M92194	O-RING	1		Upper Oil Fill Tube
19	MIU14033	SCREW	1		
20	M138311	SCREW	2	____-010000	
20	M93483	SCREW	2	010001-____	
21	M134899	RETAINER	2		Reed
22	M134900	BREATHER	2		Reed
23	AM126257	DIPSTICK	1		Assembly
24	AM124450	CAP KIT	1		Oil Fill
25	M148124	O-RING	1		Oil Fill Cap
26	M93955	SOLID SHIM	1		Camshaft



Suggest:

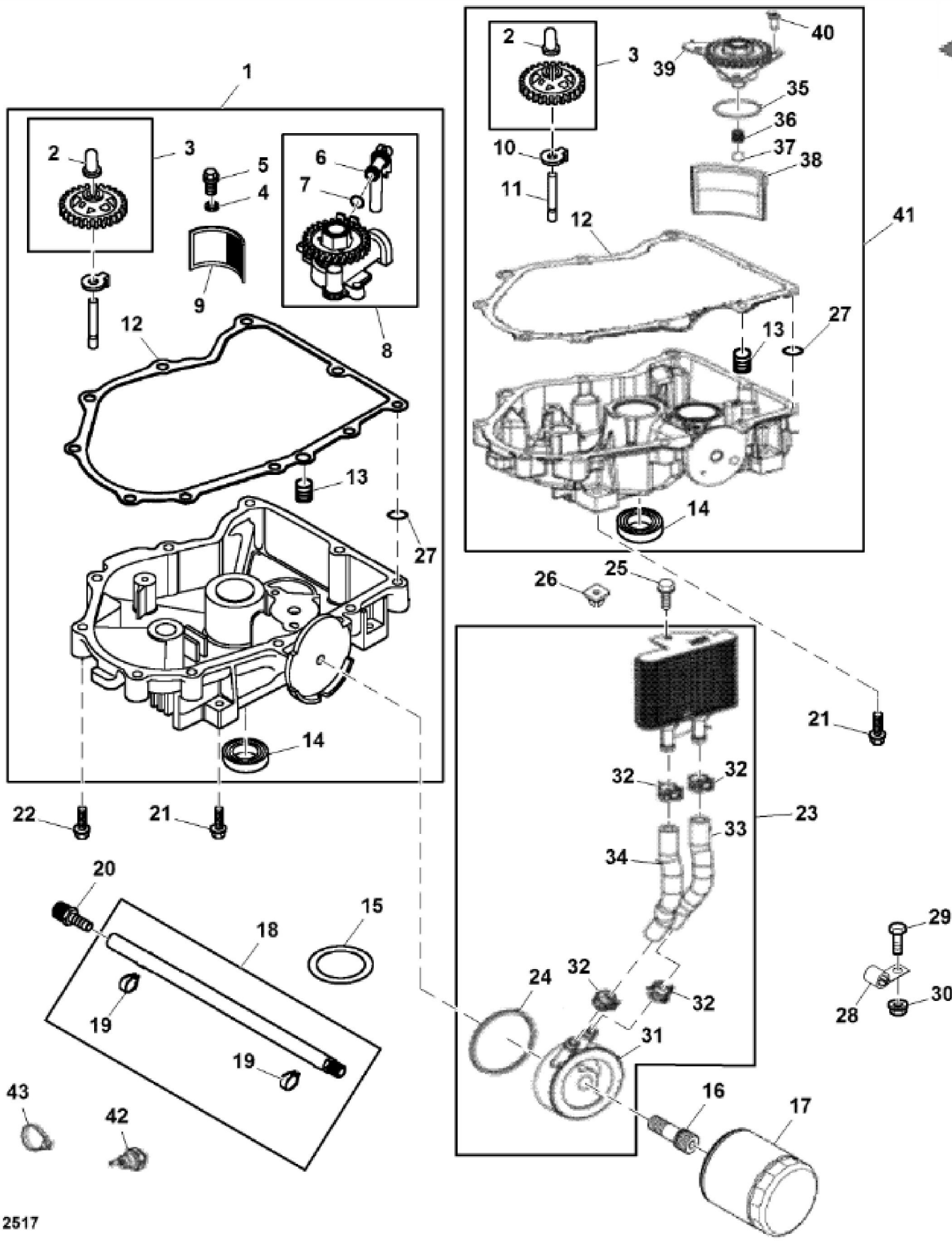
For more complete manuals. Please go to the home page.

<https://www.ebooklibonline.com>

If the above button click is invalid. Please download this document first, and then click the above link to download the complete manual.

Thank you so much for reading

KEY	PART NO.	PART NAME	QTY	Serial No.	REMARKS	
27	MIA12826	BOLT	4			
28	MIU11902	SCREW	1			
29	MIU14302	PISTON RING	2		USE WITH MIA12652; STD	
29	MIU14303	PISTON RING	2		0.08 MM, USE WITH MIA12652	
29	MIU14304	PISTON RING	2		0.25 MM, USE WITH MIA12652	
29	MIU14305	PISTON RING	2		0.50 MM, USE WITH MIA12652	



<https://www.ebooklibonline.com>

Hello dear friend!

Thank you very much for reading.

Enter the link into your browser.

The full manual is available for immediate download.

<https://www.ebooklibonline.com>