

PU03097

KEY	PART NO.	PART NAME	QTY	REMARKS	
1	MIA11425	GASOLINE ENGINE	1	MARKED FX730V-AS03; ORDER MIA11914	
1	MIA11914	GASOLINE ENGINE	1	MARKED FX730V-BS03; ORDER MIA12052	
1	MIA12052	GASOLINE ENGINE	1	MARKED FX730V; 26HP; ORDER MIA12161;	
1	MIA12161	GASOLINE ENGINE	1	MARKED FX730V-DS03R; ORDER MIA12252	
1	MIA12252	GASOLINE ENGINE	1	MARKED FX730V-AS20R	
2	19H3693	SCREW	4	3/8" X 1-1/4"	
3	R97021	CLAMP	1	Spring Steel	
4	TCU27100	HOSE	1	Oil Drain	

<https://www.ebooklibonline.com>

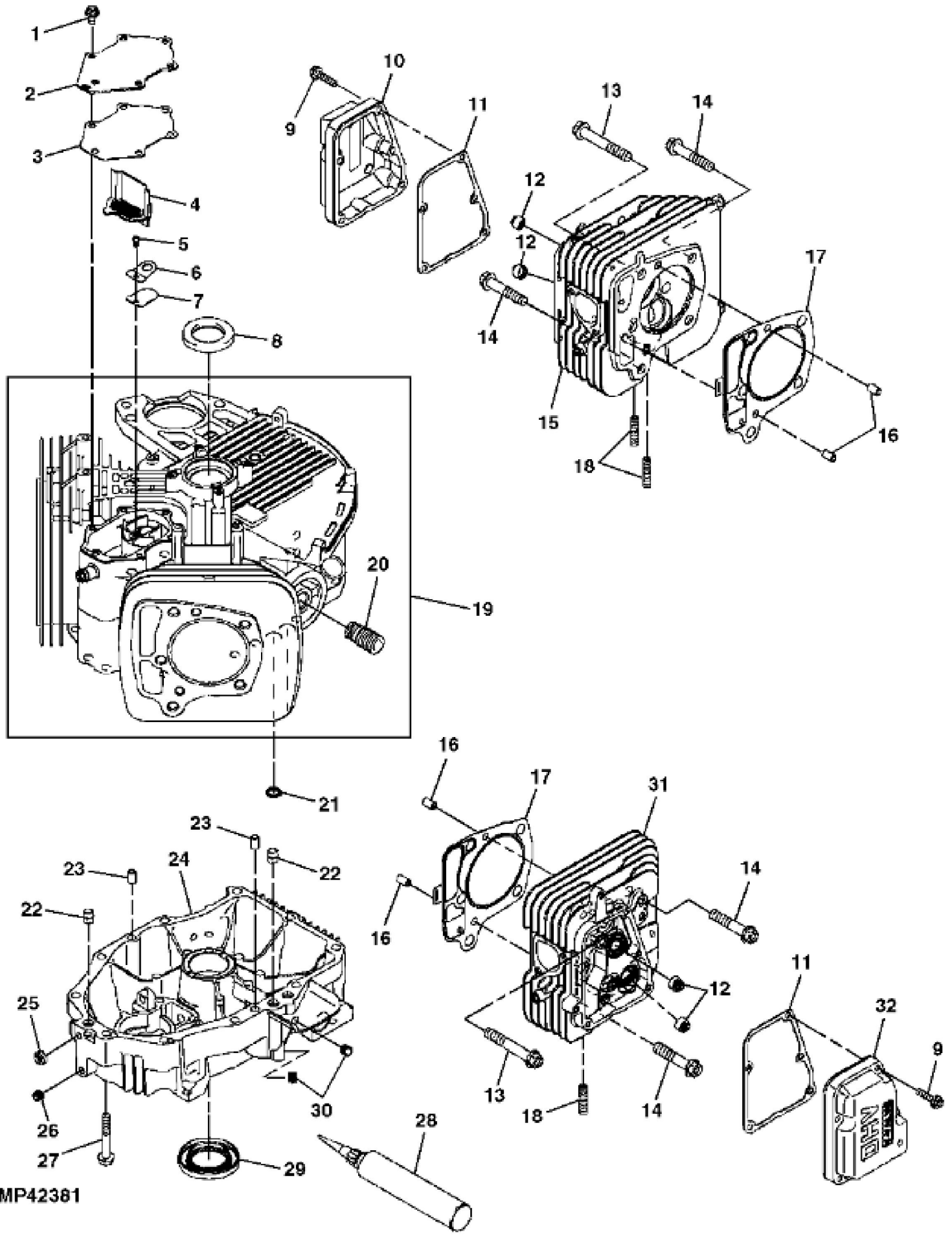
Hello dear friend!

Thank you very much for reading.

Enter the link into your browser.

The full manual is available for immediate download.

<https://www.ebooklibonline.com>

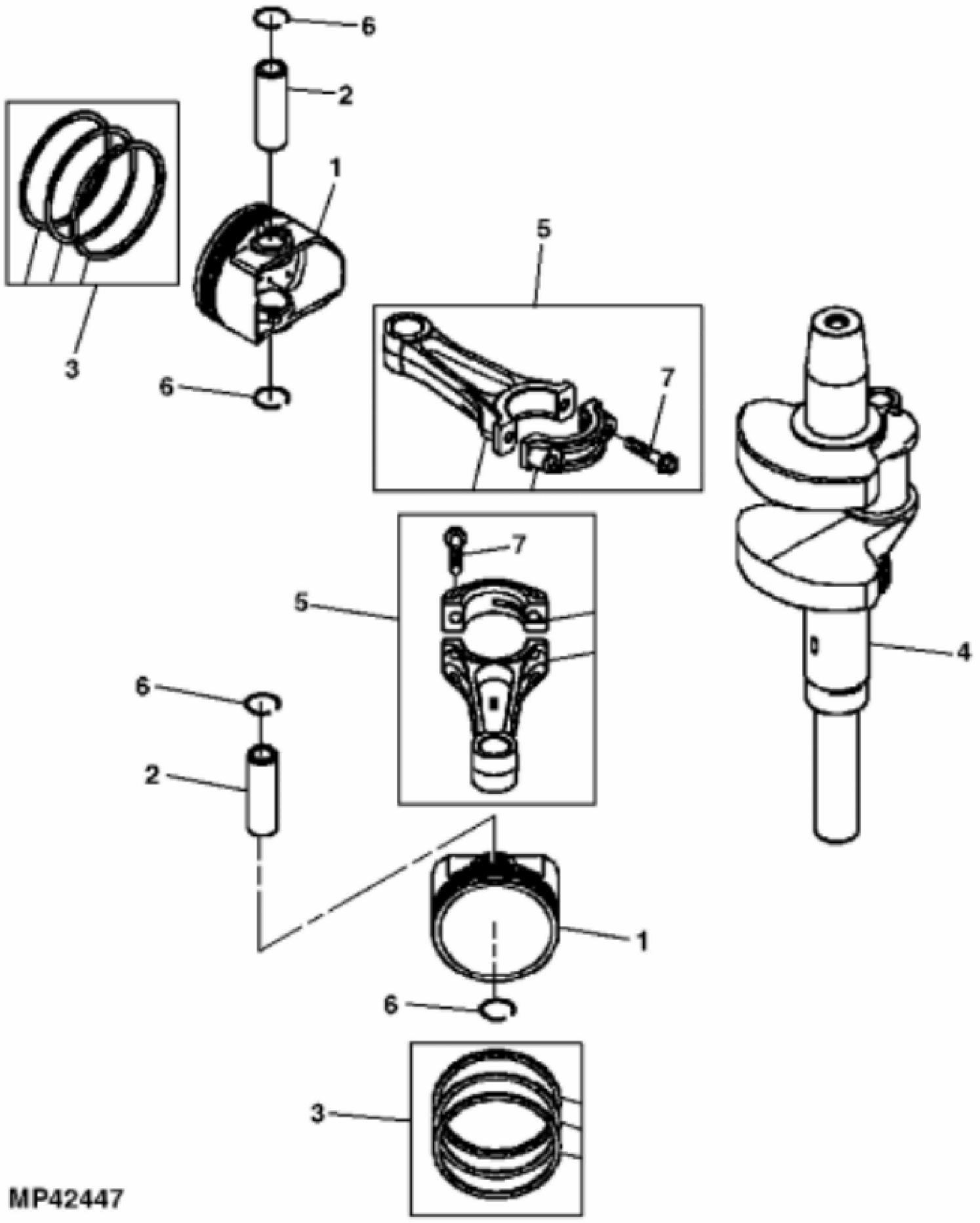


MP42381

John Deere > Turf And Utility >TRACTOR, LAWN AND GARDEN >Z920A - TRACTOR, LAWN AND GARDEN >Z920A ZTrak Pro Series Mower >20 ENGINE TCM12337 >ST485612 - CYLINDER HEADS AND CRANKCASE

KEY	PART NO.	PART NAME	QTY	REMARKS
1	MIU11325	BOLT	6	
2	MIU12397	COVER	1	BREATHER
3	MIU12395	GASKET	1	
4	MIU12398	PIPE	1	BREATHER
5	21M7244	SCREW	1	M4 X 8
6	MIU11767	PLATE	1	NLA; ORDER MIU13821; Breather
6	MIU13821	PLATE	1	Breather
7	MIU11769	VALVE	1	BREATHER
8	M149281	SEAL	1	
9	19M7863	SCREW	10	M6 X 25
10	MIU12392	CASE	1	NLA; ORDER MIU13778; Rocker
10	MIU13778	CASE	1	Rocker
11	MIU12394	GASKET	2	
12	M138389	SEAL	4	
13	MIU12209	BOLT	6	
14	MIU11776	BOLT	4	M10 X 50
15	MIU12390	CYLINDER HEAD	1	NO. 1
16	M74252	PIN	4	
17	MIU12396	GASKET	2	
18	M138395	STUD	4	NLA; ORDER MIU11736
18	MIU11736	BOLT	4	NLA; ORDER MIU12726
18	MIU12726	STUD	4	
19	MIA11933	CRANKCASE	1	NLA; ORDER MIA12337
19	MIA12337	CRANKCASE	1	
20	M127431	ADAPTER FITTING	1	USE WITH MIA11933
20	MIU13767	ADAPTER FITTING	1	USE WITH MIA12337
21	M76104	O-RING	2	
22	MIU14507	PIPE	1	SUB FOR MIU11770
23	M74252	PIN	2	
24	MIU13011	COVER	1	CRANKCASE
25	M138392	SEAL	1	NLA; ORDER M151774
25	M151774	SEAL	1	
26	MIU12401	PLUG	1	
27	19M8319	SCREW	10	M8 X 50

KEY	PART NO.	PART NAME	QTY	REMARKS	
28	M64850	LIQUID GASKET	AR		
29	MIU12400	SEAL	1		
30	M147270	PLUG	2	NLA; ORDER MIU14001	
30	MIU14001	PLUG	2		
31	MIU12391	CYLINDER HEAD	1	NO. 2	
32	MIU12393	COVER	1	ORDER MIU13779; Rocker	
32	MIU14499	COVER	1	SUB FOR MIU13779; Rocker	



MP42447



Suggest:

For more complete manuals. Please go to the home page.

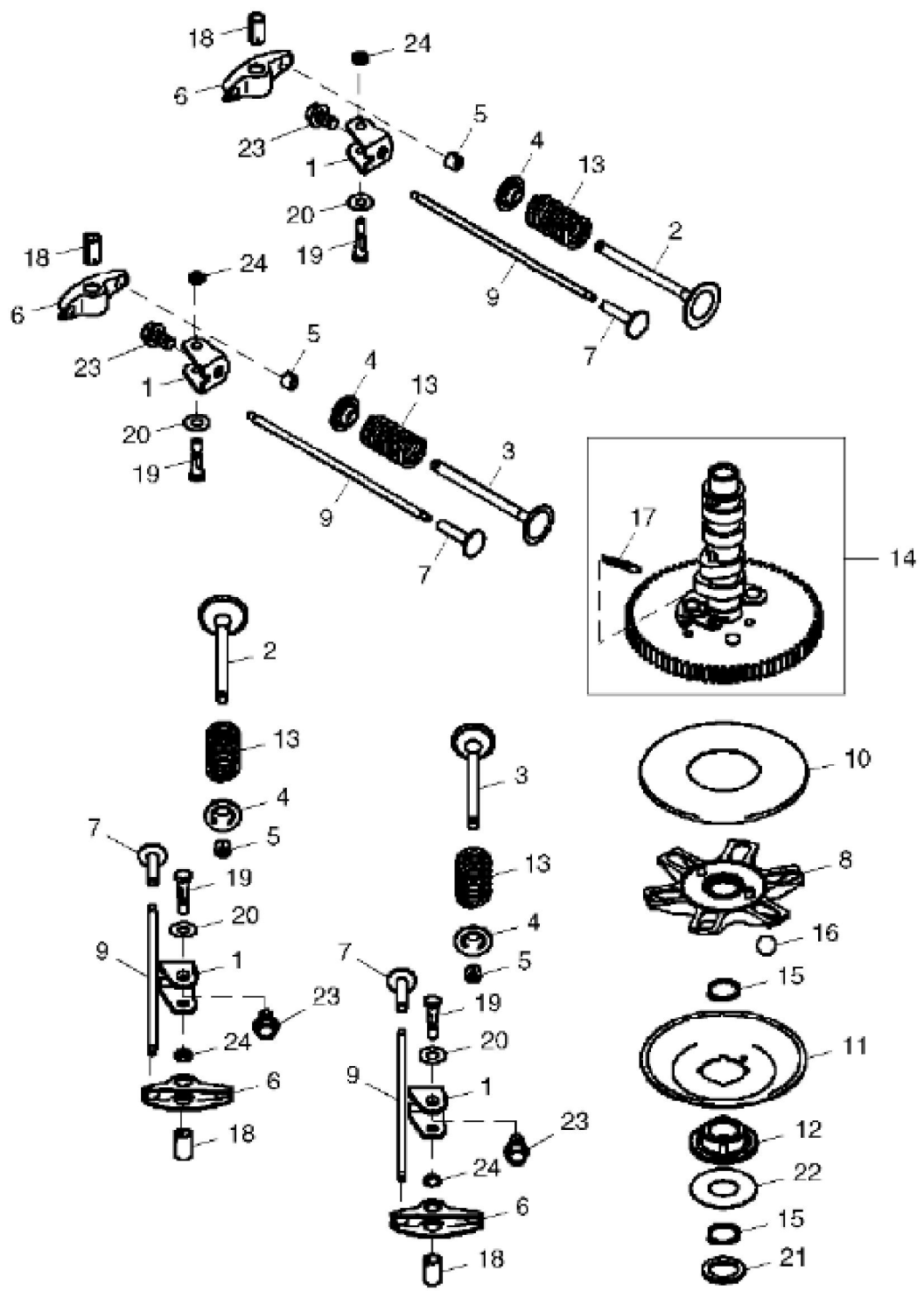
<https://www.ebooklibonline.com>

If the above button click is invalid. Please download this document first, and then click the above link to download the complete manual.

Thank you so much for reading

John Deere > Turf And Utility >TRACTOR, LAWN AND GARDEN >Z920A - TRACTOR, LAWN AND GARDEN >Z920A ZTrak Pro Series Mower >20 ENGINE TCM12337 >ST485533 - PISTON AND CRANKSHAFT

KEY	PART NO.	PART NAME	QTY	REMARKS
1	MIU12403	PISTON	2	STD
1	MIU12407	PISTON	2	0.50 MM (.010") OS
2	MIU12404	PISTON PIN	2	NLA; ORDER MIU13270
2	MIU13270	PISTON PIN	2	
3	MIU12405	PISTON RING KIT	2	STD
3	MIU12406	PISTON RING KIT	2	0.50 MM (.010") OS
4	MIU12492	CRANKSHAFT	1	
5	MIA11615	CONNECTING ROD	2	
6	MIU12408	SNAP RING	4	
7	M146763	BOLT	2	



MP64526

<https://www.ebooklibonline.com>

Hello dear friend!

Thank you very much for reading.

Enter the link into your browser.

The full manual is available for immediate download.

<https://www.ebooklibonline.com>