

PU01319

KEY	PART NO.	PART NAME	QTY	REMARKS	
1	MIA11426	GASOLINE ENGINE	1	34HP, KAWASAKI (FX921V-AS05) (SUB MIA11918)	
1	MIA11918	GASOLINE ENGINE	1	(MARKED FX921V-BS05) (Sub MIA12056)	
1	MIA12056	GASOLINE ENGINE	1	NLA; ORDER MIA12165; MARKED FX921V-CS05	
1	MIA12165	GASOLINE ENGINE	1	NLA; ORDER MIA12257; MARKED FX921V-DS05R	
1	MIA12257	GASOLINE ENGINE	1	MARKED FX921V-AS10R	
2	19H3693	SCREW	4	3/8" X 1-1/4"	
3	TCU26722	HEAT SHIELD	1		

**<https://www.ebooklibonline.com>**

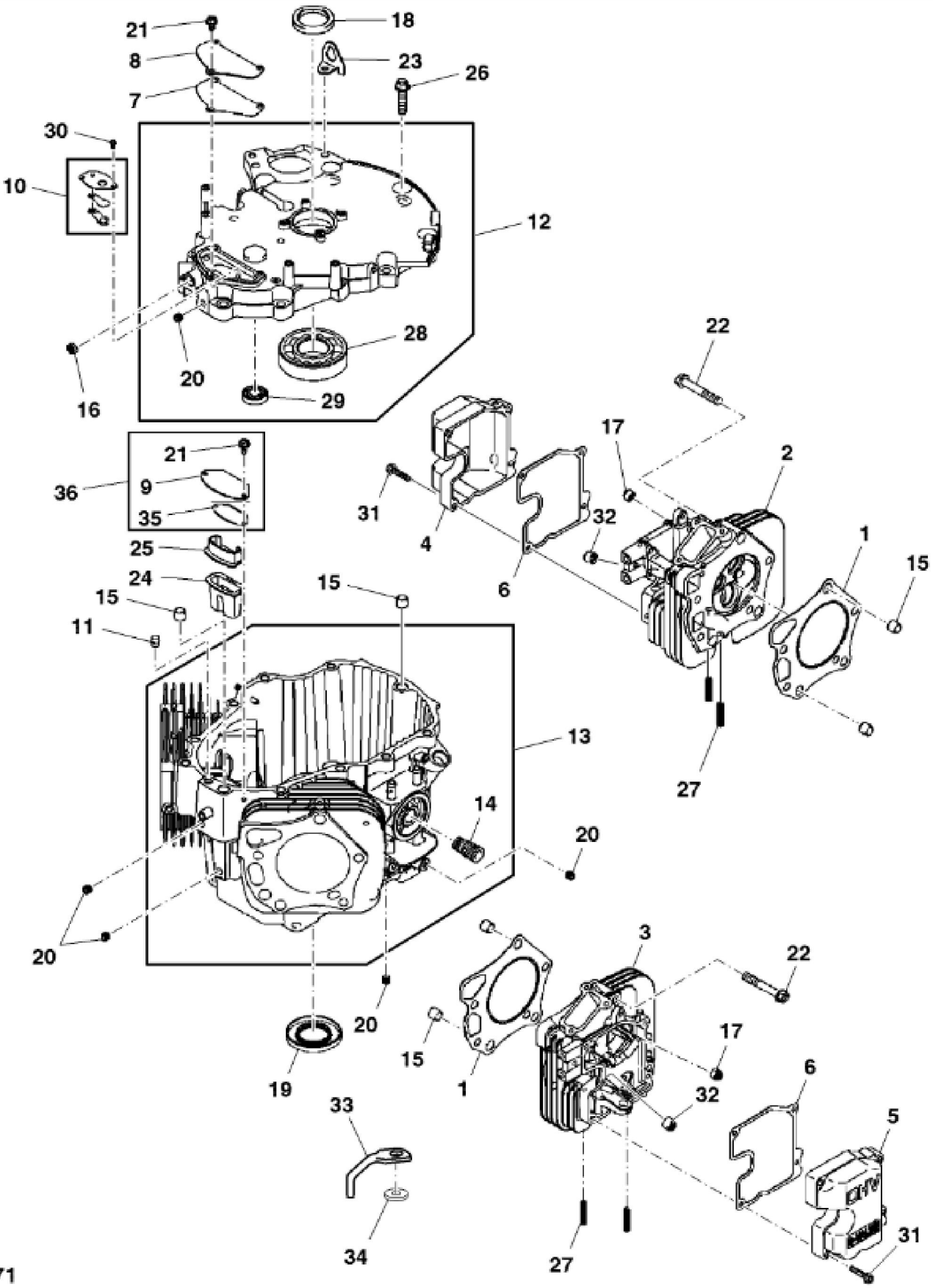
Hello dear friend!

Thank you very much for reading.

Enter the link into your browser.

The full manual is available for immediate download.

**<https://www.ebooklibonline.com>**

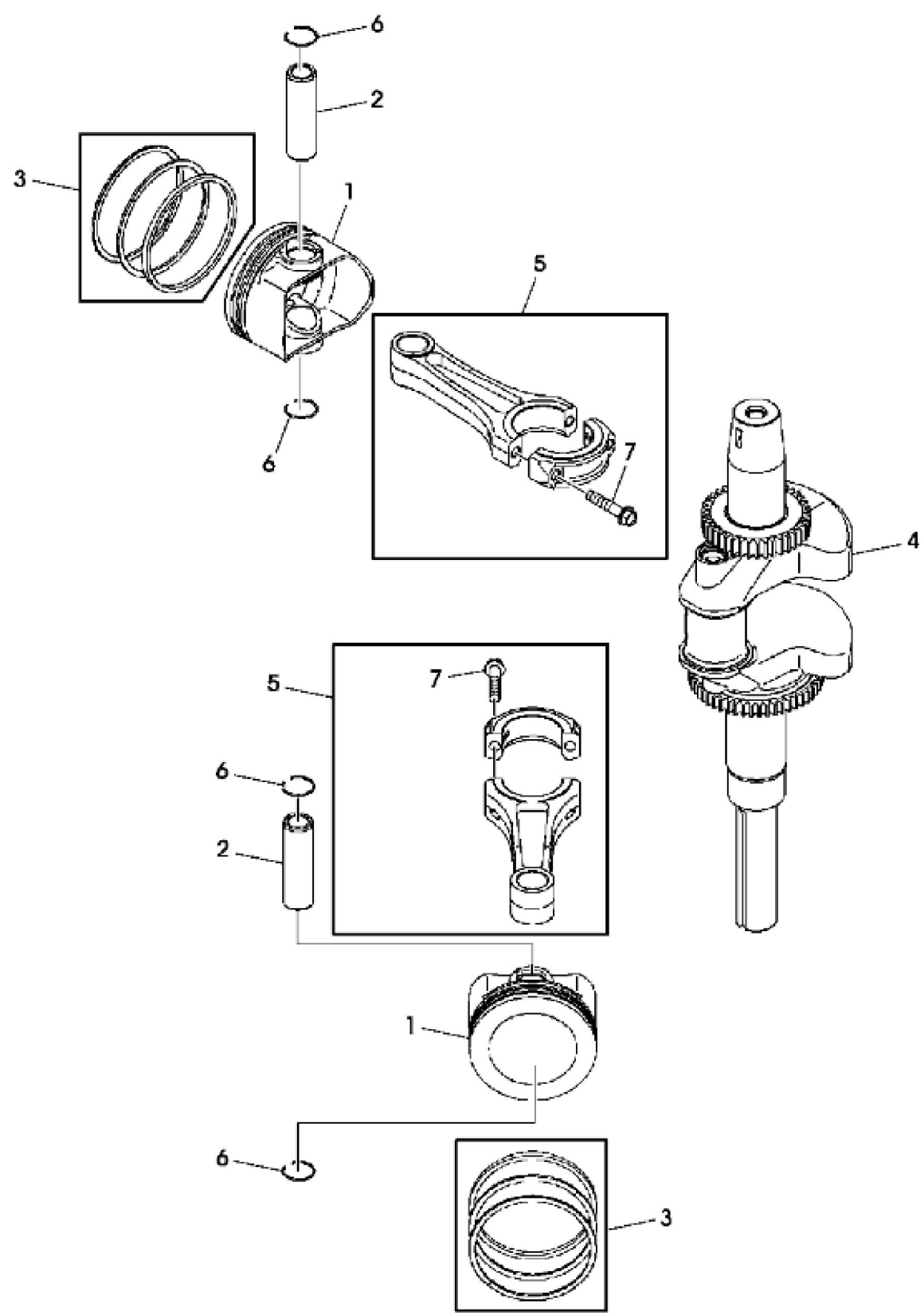


PU06871

John Deere > Turf And Utility >TRACTOR, LAWN AND GARDEN >Z860A - TRACTOR, LAWN AND GARDEN >Z860A Professional ZTrak >20 ENGINE TCM12342 >ST501886 - CYLINDER HEADS AND CRANKCASE

KEY	PART NO.	PART NAME	QTY	REMARKS
1	MIU12194	GASKET	2	
2	MIU12195	CYLINDER HEAD	1	NLA; ORDER MIU13774; NO. 1
2	MIU13774	CYLINDER HEAD	1	
3	MIU12196	CYLINDER HEAD	1	NLA; ORDER MIU13775; NO. 2
3	MIU13775	CYLINDER HEAD	1	
4	MIU12197	CASE	1	NLA; ORDER MIU13312; ROCKER NO. 1
4	MIU13312	CASE	1	
5	MIU12198	CASE	1	NLA; ORDER MIU13313; CRANKCASE COVER
5	MIU13313	CASE	1	
6	MIU12199	GASKET	2	ROCKER CASE
7	MIU12200	GASKET	1	BREATHER
8	MIU12202	PLATE	1	BREATHER
9	MIU12203	COVER	1	NLA; ORDER MIU13926; BREATHER
9	MIU13926	COVER	1	MARKED FX921V-AS10R; Breather
10	MIU12201	BREATHER	1	
11	MIU14507	PIPE	3	SUB FORMIU11770
12	MIA11505	COVER	1	CRANKCASE
13	MIA11506	CRANKCASE	1	NLA; ORDER MIA12733
13	MIA12733	CRANKCASE	1	
14	M127431	ADAPTER FITTING	1	
15	M74163	PIN	6	
16	M138392	SEAL	1	NLA; ORDER M151774
16	M151774	SEAL	1	
17	M138389	SEAL	4	
18	MIU11773	SEAL	1	
19	MIU12207	SEAL	1	
20	M147270	PLUG	5	NLA; ORDER MIU14001
20	MIU14001	PLUG	5	
21	MIU11325	BOLT	5	M6 X 12
22	MIU12209	BOLT	10	
23	MIU12477	HOOK	1	(SUB FOR MIU12204)
24	MIU12205	PIPE	1	
25	MIU12206	PIPE	1	
26	19M7804	SCREW	11	M10 X 40

KEY	PART NO.	PART NAME	QTY	REMARKS
27	M138395	STUD	4	NLA; ORDER MIU11736
27	MIU11736	BOLT	4	NLA; ORDER MIU12726
27	MIU12726	STUD	4	
28	MIU11779	BALL BEARING	1	ORDER MIU13981
28	MIU13981	BALL BEARING	1	
29	MIU12193	BALL BEARING	1	
30	21M7244	SCREW	2	M4 X 8
31	19M7796	SCREW	8	M6 X 30
32	M152964	SEAL	2	
33	TCU26943	GUIDE	1	NLA; ORDER TCU33513; Belt
33	TCU33513	GUIDE	1	
34	24M7178	WASHER	1	10.500 X 30 X 2.500 mm
35	MIU13860	GASKET	1	MARKED FX921V-AS10R; Breather Cover
36	MIA12511	COVER KIT	1	MARKED FX921V-AS10R
37	19M7775	SCREW	2	M6 X 16, USE WITH MIU13926; NOT ILLUSTRATED



PU01330



**Suggest:**

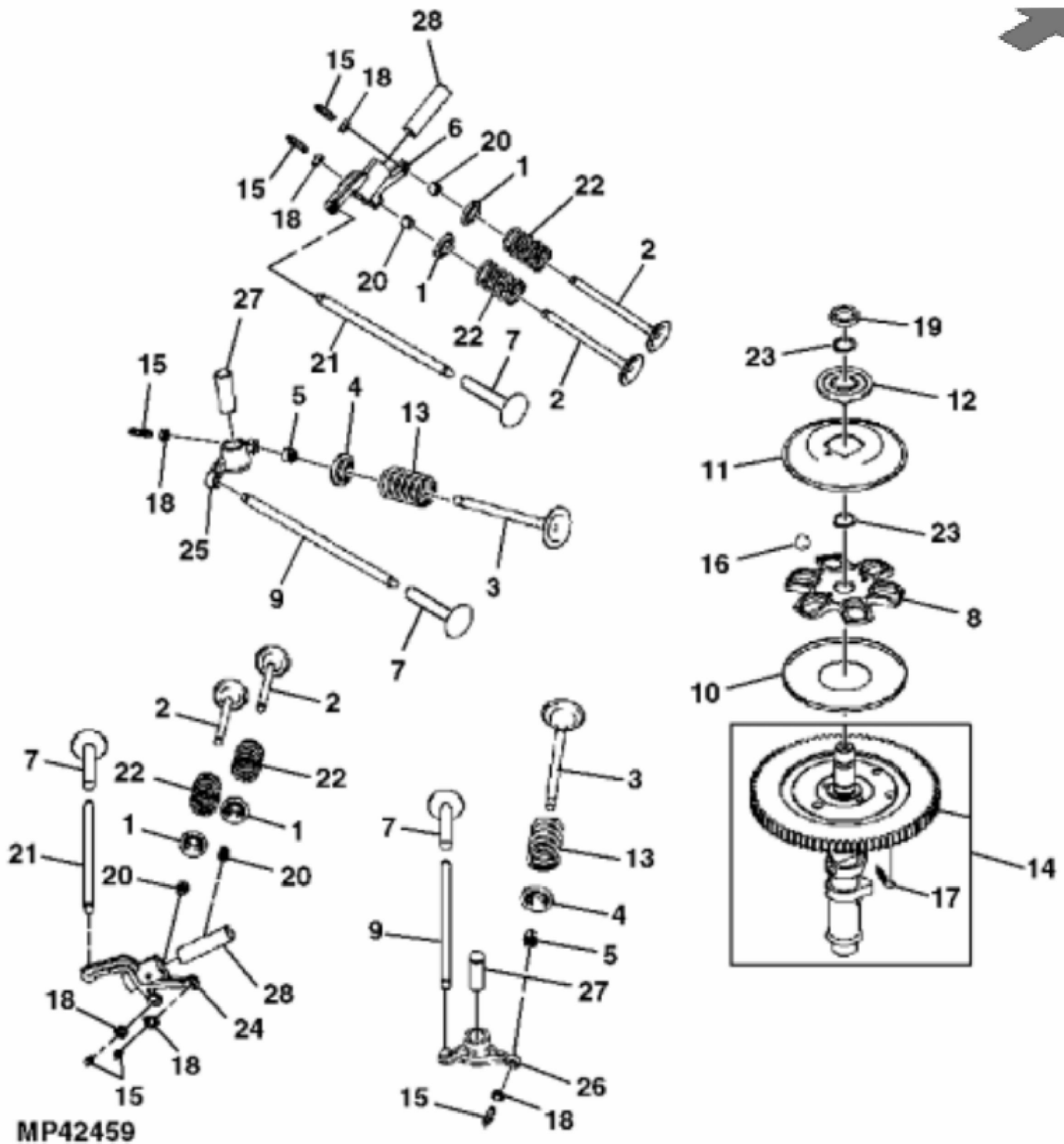
**For more complete manuals. Please go to the home page.**

**<https://www.ebooklibonline.com>**

**If the above button click is invalid. Please download this document first, and then click the above link to download the complete manual.**

**Thank you so much for reading**

KEY	PART NO.	PART NAME	QTY	REMARKS	
1	MIU12210	PISTON	2	ORDER (2) MIU13013, (2) MIU13014	
1	MIU13013	PISTON	2		
1	MIU13912	PISTON	2	0.5 MM (.020") OS, SUB FOR MIU12214	
2	MIU12211	PISTON PIN	2		
3	MIU12212	PISTON RING	2	ORDER (2) MIU13013, (2) MIU13014	
3	MIU13014	PISTON RING	2		
3	MIU13910	PISTON RING	2	0.5 MM (.020") OS, SUB FOR MIU12213	
4	MIU12215	CRANKSHAFT	1		
5	MIA12686	CONNECTING ROD	2	SUB FOR MIA11507	
6	M88590	SNAP RING	4	NLA; ORDER MIU13982	
6	MIU13982	SNAP RING	4		
7	M147310	BOLT	4		



**<https://www.ebooklibonline.com>**

Hello dear friend!

Thank you very much for reading.

Enter the link into your browser.

The full manual is available for immediate download.

**<https://www.ebooklibonline.com>**