

KEY	PART NO.	PART NAME	QTY	REMARKS	
1	MIA10826	GASOLINE ENGINE	1	31HP, KAWASAKI (FX850V-AS04) (SUB MIA11917)	
1	MIA11917	GASOLINE ENGINE	1	(SUB MIA12055) (MARKED FX850V-BS04)	
1	MIA12055	GASOLINE ENGINE	1	31HP, NLA; ORDER MIA12164; MARKED FX850V	
1	MIA12164	GASOLINE ENGINE	1	NLA; ORDER MIA12256; MARKED FX850V-DS04R	
1	MIA12256	GASOLINE ENGINE	1	MARKED FX850V-AS13R	
2	19H3693	SCREW	4	3/8" X 1-1/4", (SUB FOR GC00331, THIS APPLICATION)	

<https://www.ebooklibonline.com>

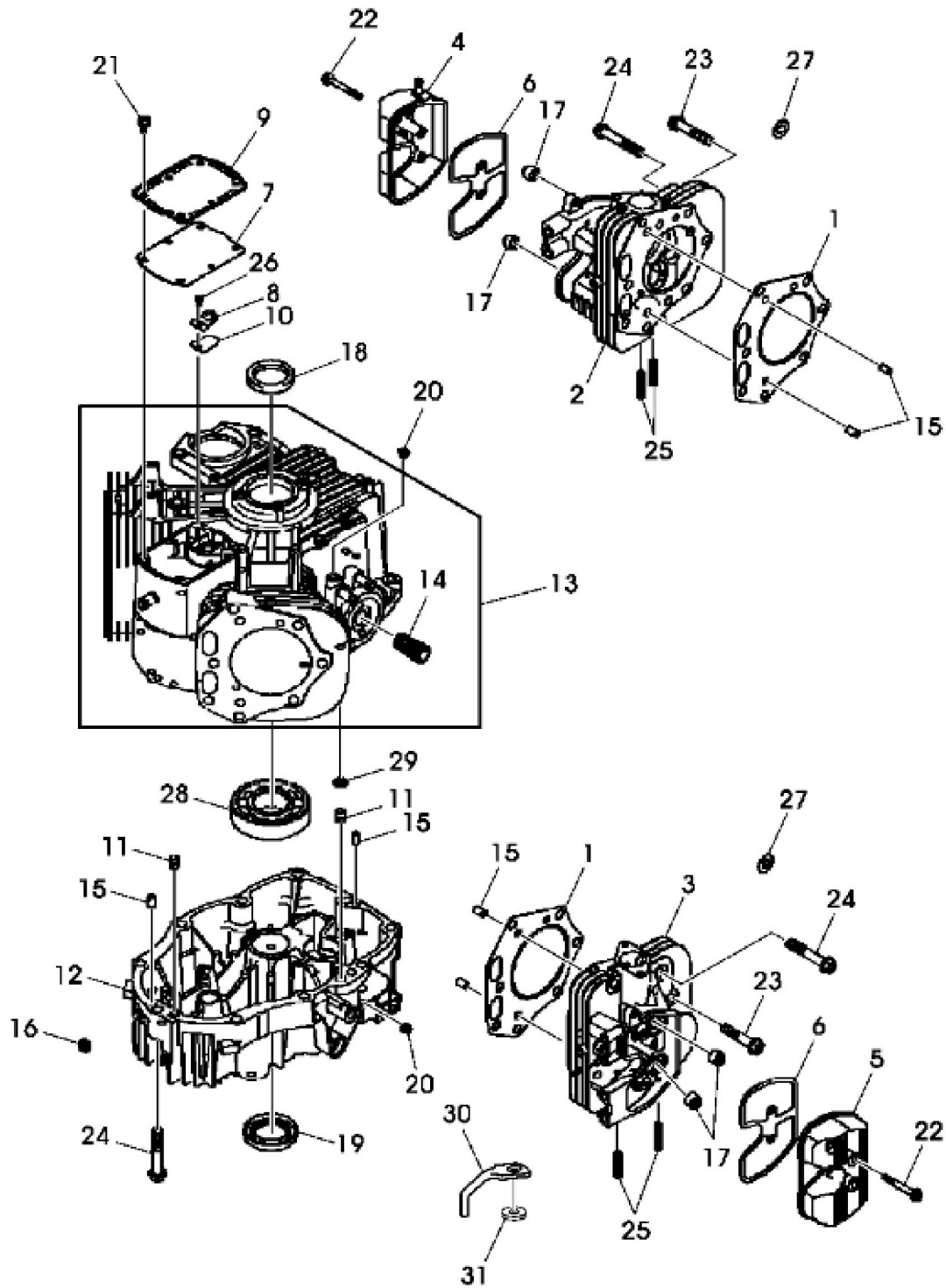
Hello dear friend!

Thank you very much for reading.

Enter the link into your browser.

The full manual is available for immediate download.

<https://www.ebooklibonline.com>

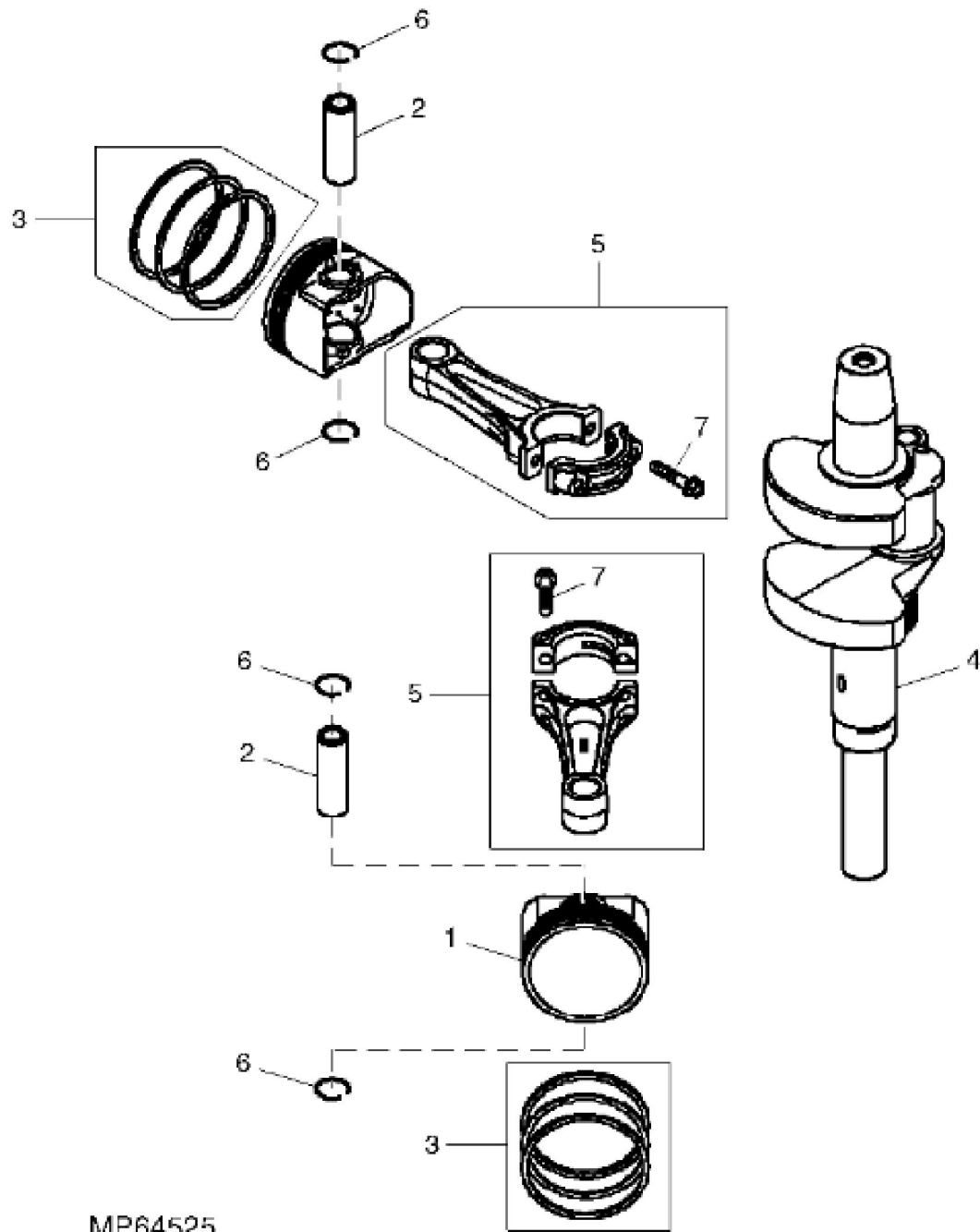


PU01409

John Deere > Turf And Utility >TRACTOR, LAWN AND GARDEN >Z850A - TRACTOR, LAWN AND GARDEN >Z850A Professional ZTrak >20 ENGINE TCM12341 >ST585181 - CYLINDER HEADS AND CRANKCASE

KEY	PART NO.	PART NAME	QTY	Serial No.	REMARKS
1	MIU11760	ENGINE CYLINDER HEAD GASKET	2		
2	UC11383	CYLINDER HEAD	1		SUB FOR MIU11761; No. 1
3	MIU11762	CYLINDER HEAD	1		NO. 2
4	MIU11763	CASE	1		Rocker NO. 1
5	MIU11764	CASE	1		Crankcase Cover
6	MIU14057	GASKET	2		SUB FOR MIU11765; Rocker Case
7	MIU11766	GASKET	1		Breather
8	MIU11767	PLATE	1		ORDER MIU13821; Breather
8	MIU13821	PLATE	1		Breather
9	MIU11768	COVER	1		Breather
10	MIU11769	VALVE	1		Breather
11	MIU11770	PIPE	1		ORDER MIU14507
11	MIU14507	PIPE	1		
12	MIA11493	COVER	1		SUB FOR MIU11771; Crankcase
13	MIA11246	CRANKCASE	1	____-A02629	
13	MIA12315	CRANKCASE	1	A02630-____	ORDER MIA12732; SUB FOR MIA11492
13	MIA12732	CRANKCASE	1		INCLUDES MIU13981
14	MIU14223	HOSE FITTING	1		
15	MIU11772	PIN	6		ORDER M74252
15	M74252	PIN	6		
16	M138392	SEAL	1		ORDER M151774
16	M151774	SEAL	1		
17	M152964	SEAL	4		
18	MIU11773	SEAL	1		
19	MIU11774	SEAL	1		
20	M147270	PLUG	1		ORDER MIU14001
20	MIU14001	PLUG	1		
21	MIU11325	BOLT	6		M6 X 12
22	MIU11775	BOLT	4		M6 X 50
23	MIU11776	BOLT	2		M10X1.25X50
24	MIU11777	BOLT	20		M10X1.25X60
25	M138395	STUD	4		ORDER MIU11736
25	MIU11736	BOLT	4		ORDER MIU12726
25	MIU12726	STUD	4		

KEY	PART NO.	PART NAME	QTY	Serial No.	REMARKS	
26	21M7244	SCREW	1		M4 X 8	
27	24M7096	WASHER	2		10.500 X 18 X 1.600 mm	
28	MIU11779	BALL BEARING	1		ORDER MIU13981	
28	MIU13981	BALL BEARING	1			
29	M76104	O-RING	2			
30	TCU26943	GUIDE	1		ORDER TCU33513; Belt	
30	TCU33513	GUIDE	1			
31	24M7178	WASHER	1		10.500 X 30 X 2.500 mm	



MP64525



Suggest:

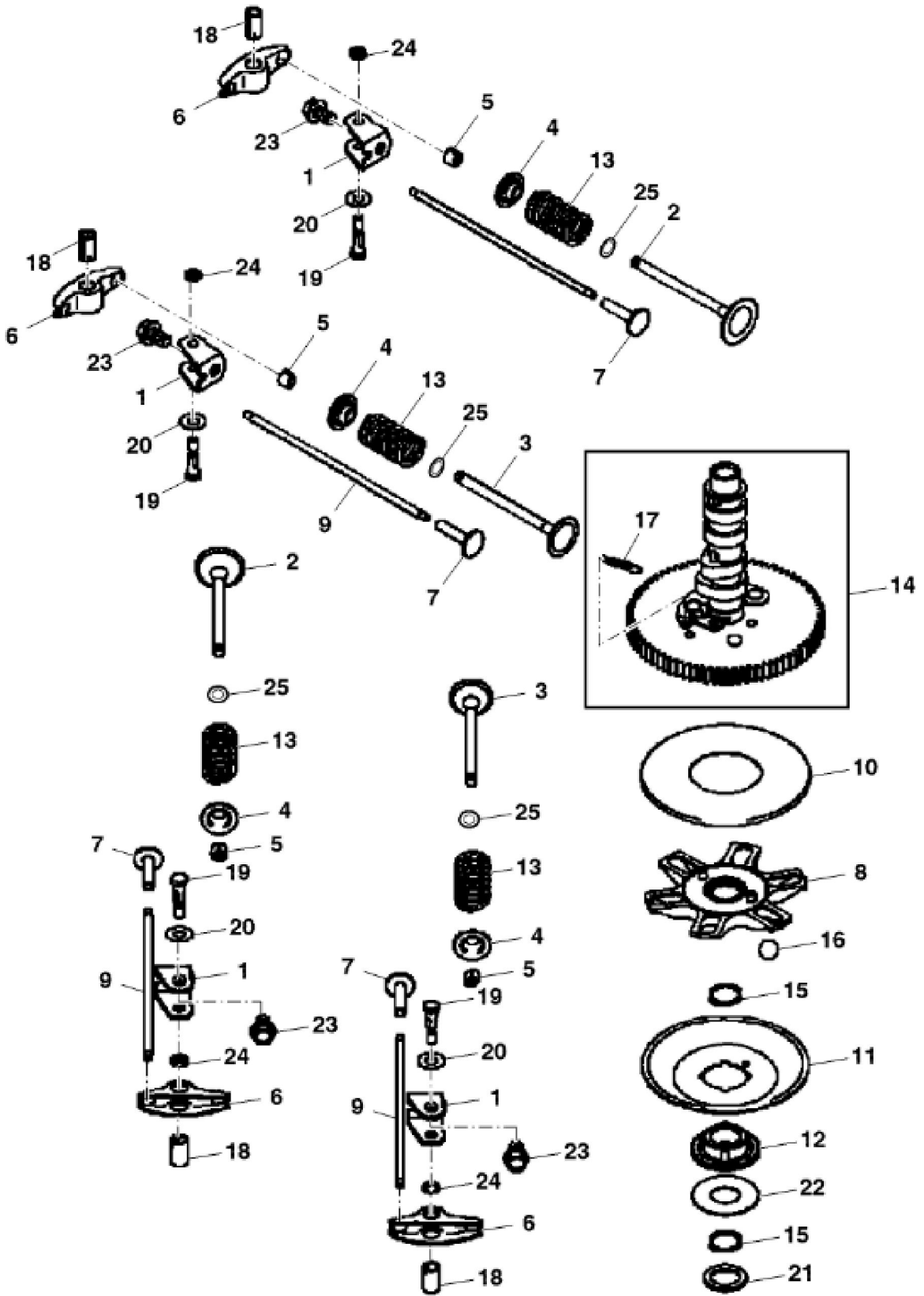
For more complete manuals. Please go to the home page.

<https://www.ebooklibonline.com>

If the above button click is invalid. Please download this document first, and then click the above link to download the complete manual.

Thank you so much for reading

KEY	PART NO.	PART NAME	QTY	REMARKS	
1	MIU11780	PISTON	2		
2	MIU11781	PISTON PIN	2		
3	MIA11247	PISTON RING KIT	2		
4	MIA11248	CRANKSHAFT	1		
5	MIA11249	CONNECTING ROD	2	ORDER MIA13083	
5	MIA13083	CONNECTING ROD	2		
6	MIU11782	SNAP RING	4	NLA; ORDER MIU13987	
6	MIU13987	SNAP RING	4		
7	M147310	BOLT	4	M7 X 35.2	



<https://www.ebooklibonline.com>

Hello dear friend!

Thank you very much for reading.

Enter the link into your browser.

The full manual is available for immediate download.

<https://www.ebooklibonline.com>