

MP43222

KEY	PART NO.	PART NAME	QTY	REMARKS	
1	MIA11647	GASOLINE ENGINE	1	NLA; ORDER MIA11881; MARKED CV730-3127	
1	MIA11881	GASOLINE ENGINE	1	NLA; ORDER MIA12159; MARKED CV730	
1	MIA12159	GASOLINE ENGINE	1	NLA; ORDER MIA12251; MARKED PS-CV730-3147	
1	MIA12251	GASOLINE ENGINE	1	MARKED CV740	

<https://www.ebooklibonline.com>

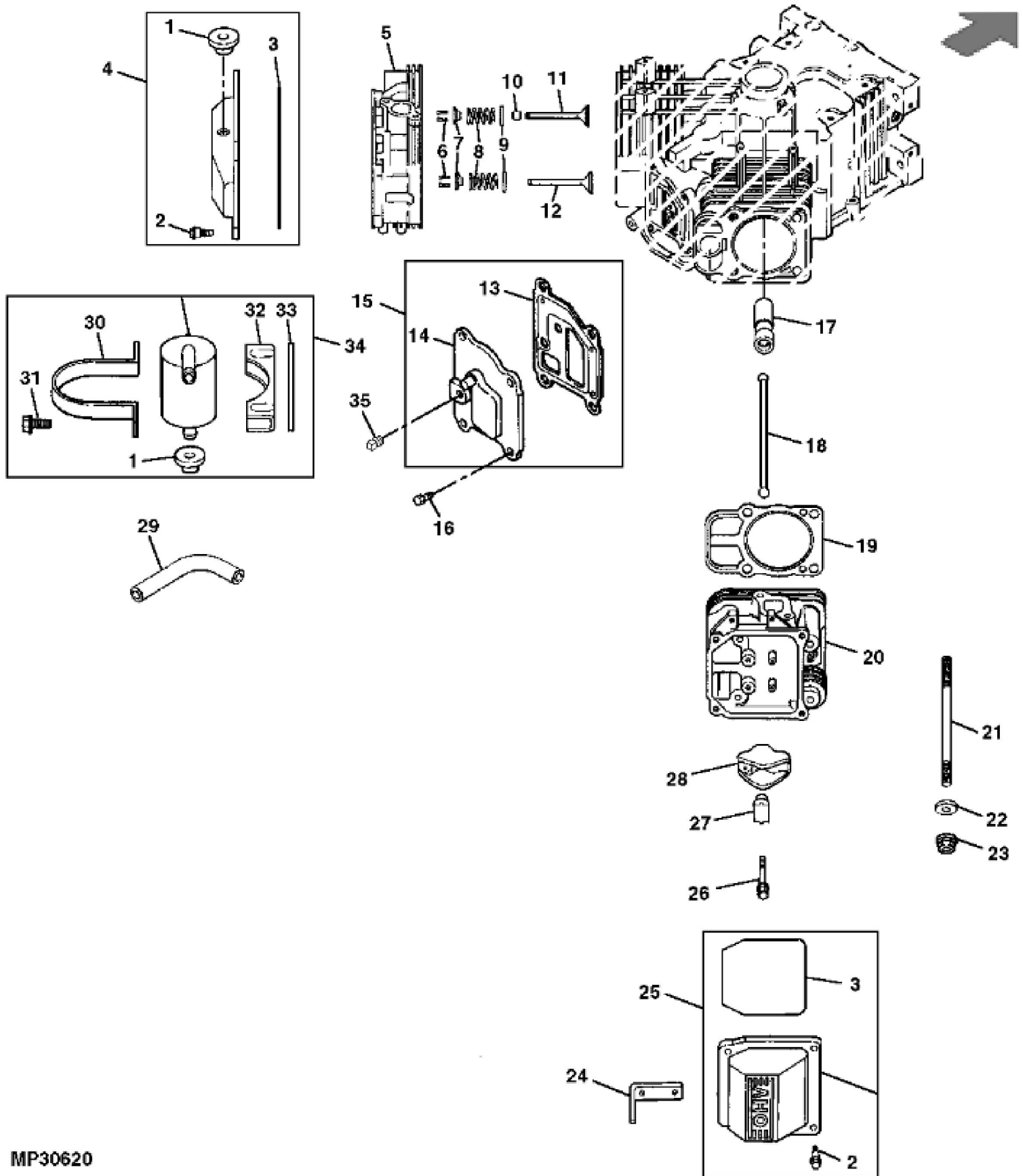
Hello dear friend!

Thank you very much for reading.

Enter the link into your browser.

The full manual is available for immediate download.

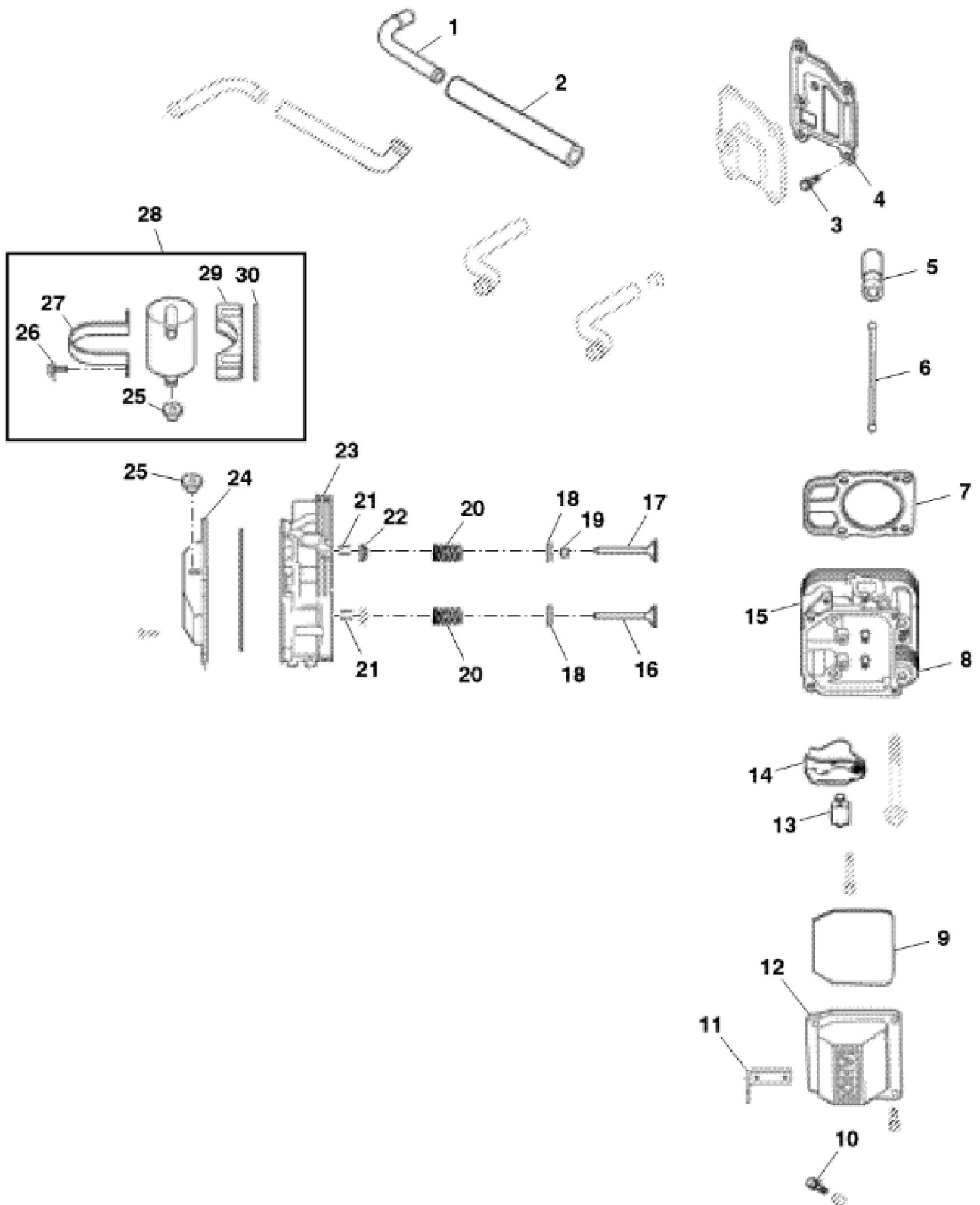
<https://www.ebooklibonline.com>



MP30620

KEY	PART NO.	PART NAME	QTY	REMARKS
1	M148338	GROMMET	1	
1	MIU13209	GROMMET	1	USE WITH MIA12725
2	M132402	SCREW	4	
3	MIU11443	O-RING	1	
4	AM134352	VALVE COVER	1	RH (W/BREATHER)
5	MIU12997	CYLINDER HEAD	1	(NO. 1) (INCLUDES (2) M134459 STUD)
6	AM107043	RETAINER	4	(B), (2 PER SET)
7	M92203	CAP	4	(B)
8	M132352	SPRING	4	(B)
9	M43123	RETAINER	4	(B)
10	M146775	SEAL	2	NLA; ORDER MIU14137 (B)
10	MIU14137	SEAL	2	SUB FOR M92202
10	M92202	SEAL	2	
11	M132353	INTAKE VALVE	2	(B), (STD)
11	M132354	INTAKE VALVE	2	.25 MM (.010") OS, (B)
12	M132355	EXHAUST VALVE	2	(B), (STD)
12	M132356	EXHAUST VALVE	2	.25 MM (.010") OS, (B)
13	MIU12491	GASKET	1	
14	MIU13510	COVER	1	SUB FOR M148331
15	AM126260	BREATHER	1	
16	37M7131	SCREW	4	M6 X 20
17	MIU13278	VALVE LIFTER	4	SUB FOR MIU12989
18	M132357	PUSH ROD	4	(A), (B)
19	MIU13276	ENGINE CYLINDER HEAD GASKET	2	SUB FOR AM134351
20	MIU12996	CYLINDER HEAD	1	(NO. 2) (INCLUDES (2) M134459 STUD)
21	M143942	STUD	8	
22	M143943	WASHER	8	
23	M143944	NUT	8	
24	MIU12948	STRAP	1	
25	AM134290	VALVE COVER	1	LH
26	19M8290	SCREW	4	M6 X 35, (B)
27	MIU11263	PIVOT	4	(A), (B)
28	M131133	ROCKER ARM	4	(A), (B)
29	HOSE	1	BREATHER (MAKE FROM T57822)
30	M134912	STRAP	1	

KEY	PART NO.	PART NAME	QTY	REMARKS
31	MIU14033	SCREW	2	
31	MIU12950	SCREW	2	USE WITH MIA12725
32	M134913	BRACKET	1	
33	M134914	SPACER	1	
34	AM126265	KIT	1	NLA; ORDERMIA12725; Breather Separator
34	MIA12725	SEPARATOR KIT	1	
35	15H558	PIPE PLUG	1	1/8"
..	AM125389	VALVE TRAIN KIT	1	VALVE TRAIN (INCLUDES PARTS MARKED (A))
..	MIA10892	HARDWARE KIT	1	(INCLUDES PARTS MARKED (B)) (SERVICES (1) HEAD, QUANTITIES LISTED ARE FOR BOTH HEADS.)



KEY	PART NO.	PART NAME	QTY	REMARKS
1	MIU13510	COVER	1	
2	T57822	BULK HOSE	1	
3	MIU14036	SCREW	4	
4	MIU12491	GASKET	1	
5	MIU13278	VALVE LIFTER	1	
6	M132357	PUSH ROD	1	
7	MIU13276	ENGINE CYLINDER HEAD GASKET	1	
8	MIU12996	CYLINDER KIT	1	
9	MIU11443	O-RING	1	
10	M132402	SCREW	1	M 6X 1.0 X 30
11	MIU12948	STRAP	1	
12	AM134290	COVER KIT	1	
13	MIU11263	PIVOT	1	
14	M131133	ROCKER ARM	1	
15	AM125389	VALVE TRAIN KIT	1	
16	M132355	EXHAUST VALVE	1	
16	M132356	EXHAUST VALVE	1	
17	M132353	INTAKE VALVE	1	
17	M132354	INTAKE VALVE	1	
18	M43123	RETAINER	1	
19	M146775	SEAL	1	NLA; ORDER MIU14137
19	MIU14137	SEAL	1	SUB FOR M92202
19	M92202	SEAL	1	
20	M132352	SPRING	2	
21	AM107043	RETAINER	1	
22	M92203	CAP	1	
23	MIU12997	CYLINDER KIT	1	
24	AM134352	O-RING KIT	1	
25	MIU13209	GROMMET	1	
25	M148338	GROMMET	1	
26	MIU14033	SCREW	1	M5 X 0.8 X 1
26	MIU12950	SCREW	2	USE WITH MIA12725
27	M134912	STRAP	1	
28	AM126265	SEPARATOR KIT	1	NLA; ORDER MIA12725
28	MIA12725	SEPARATOR KIT	1	



Suggest:

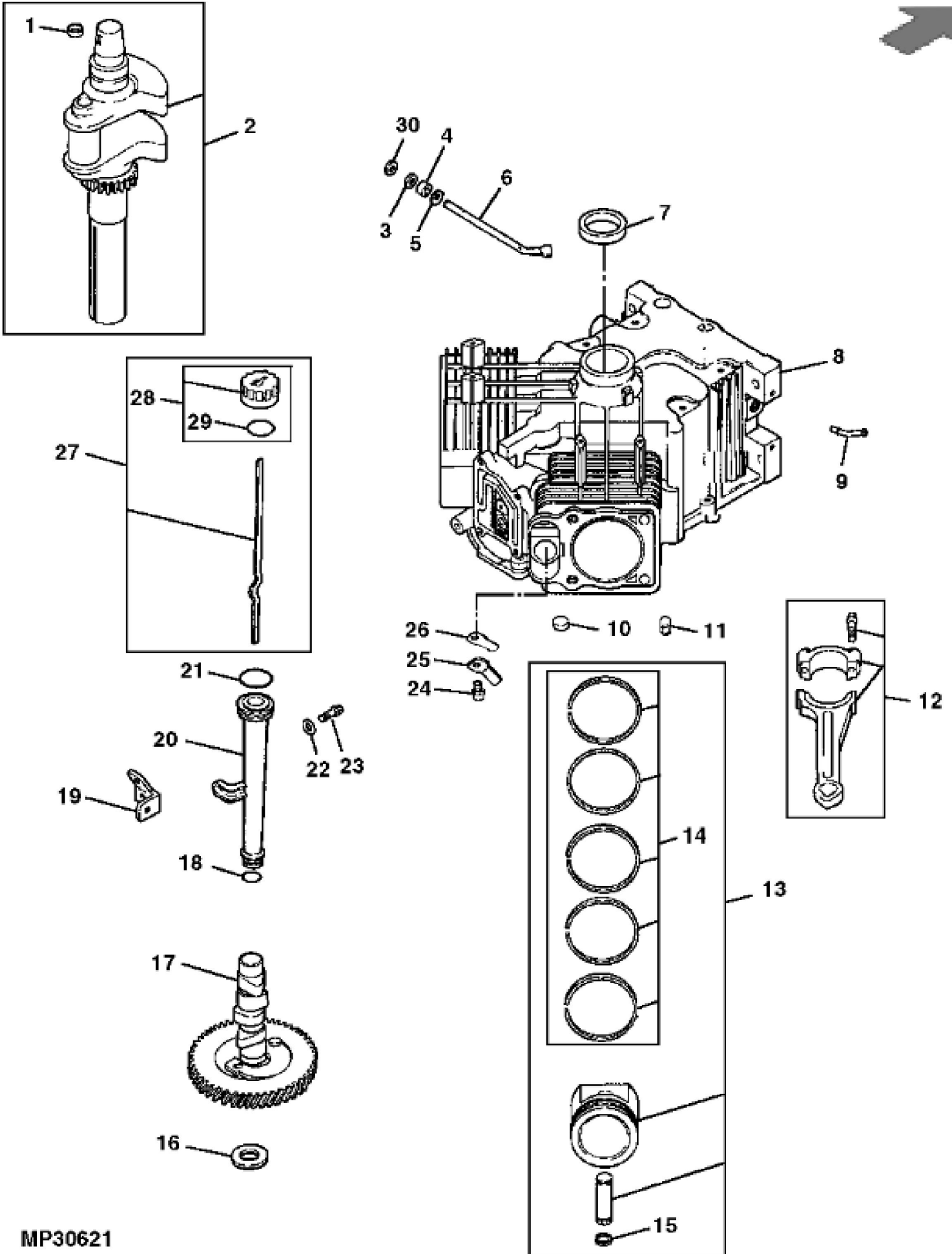
For more complete manuals. Please go to the home page.

<https://www.ebooklibonline.com>

If the above button click is invalid. Please download this document first, and then click the above link to download the complete manual.

Thank you so much for reading

KEY	PART NO.	PART NAME	QTY	REMARKS	
29	M134913	BRACKET	1		
30	M134914	SPACER	1		
31	M143942	STUD	8	M8 X 1.25	
32	14M7298	FLANGE NUT	1	M8	
33	M143943	WASHER	8	8.6 mm	
34	MIU14027	SCREW	2		



MP30621

<https://www.ebooklibonline.com>

Hello dear friend!

Thank you very much for reading.

Enter the link into your browser.

The full manual is available for immediate download.

<https://www.ebooklibonline.com>