

KEY	PART NO.	PART NAME	QTY	Serial No.	REMARKS
1	UC11104	DIPSTICK	1		SUB FOR LG499602
2	LG691031	O-RING	1		
3	LG691036	DIPSTICK	1		
4	LG691032	SEAL	1		
5	LG691037	OIL TUBE	1		
6	37H74	SCREW	1	____-120000	8 X 1/2
6	M153266	SCREW	1	120001-____	
7	LG391086S	SEAL	1		
8	MIA11778	BUSHING KIT	1		
9	LG690959	DOWEL PIN	6		
10	MIA13076	CYLINDER BLOCK	1		SUB FOR MIA12510
11	MIA12035	RESERVOIR	1		
12	MIU14436	GASKET	1		SUB FOR M150226 AND MIU13979
13	15H638	PIPE PLUG	1		1/8"
14	MIU11958	SEAL	1		
15	LG691045	CRANK	1		
16	M142280	WASHER	1		Governor Crank
17	M142282	BUSHING	2		Governor Crank
18	M142286	RETAINER	2		
19	MIU12503	BUSHING	1		Governor Crank
20	MIU11284	SEAL	1		Governor Shaft
21	MIU12140	SCREEN	1		
22	M142896	SCREW	10		
23	LG690957	RETAINER	1		
24	MIU11502	FILTER	1		
25	MIU14443	TUBE	1		SUB FOR MIU11280
26	MIA10872	BREATHER	1		
27	37H74	SCREW	1	____-120000	
27	LG691108	SCREW	3	120001-____	
28	19M7897	SCREW	1	____-130000	M8 X 35, Engine/Ground Mount, RH Front
29	E63525	NUT	1	____-130000	M8, Engine/Ground Mount, RH Front
30	GC00331	SCREW	3		NLA; ORDER GX24210; Engine Mount
30	GX24210	SCREW	4		NLA
31	LG690937	GASKET	1		Breather

<https://www.ebooklibonline.com>

Hello dear friend!

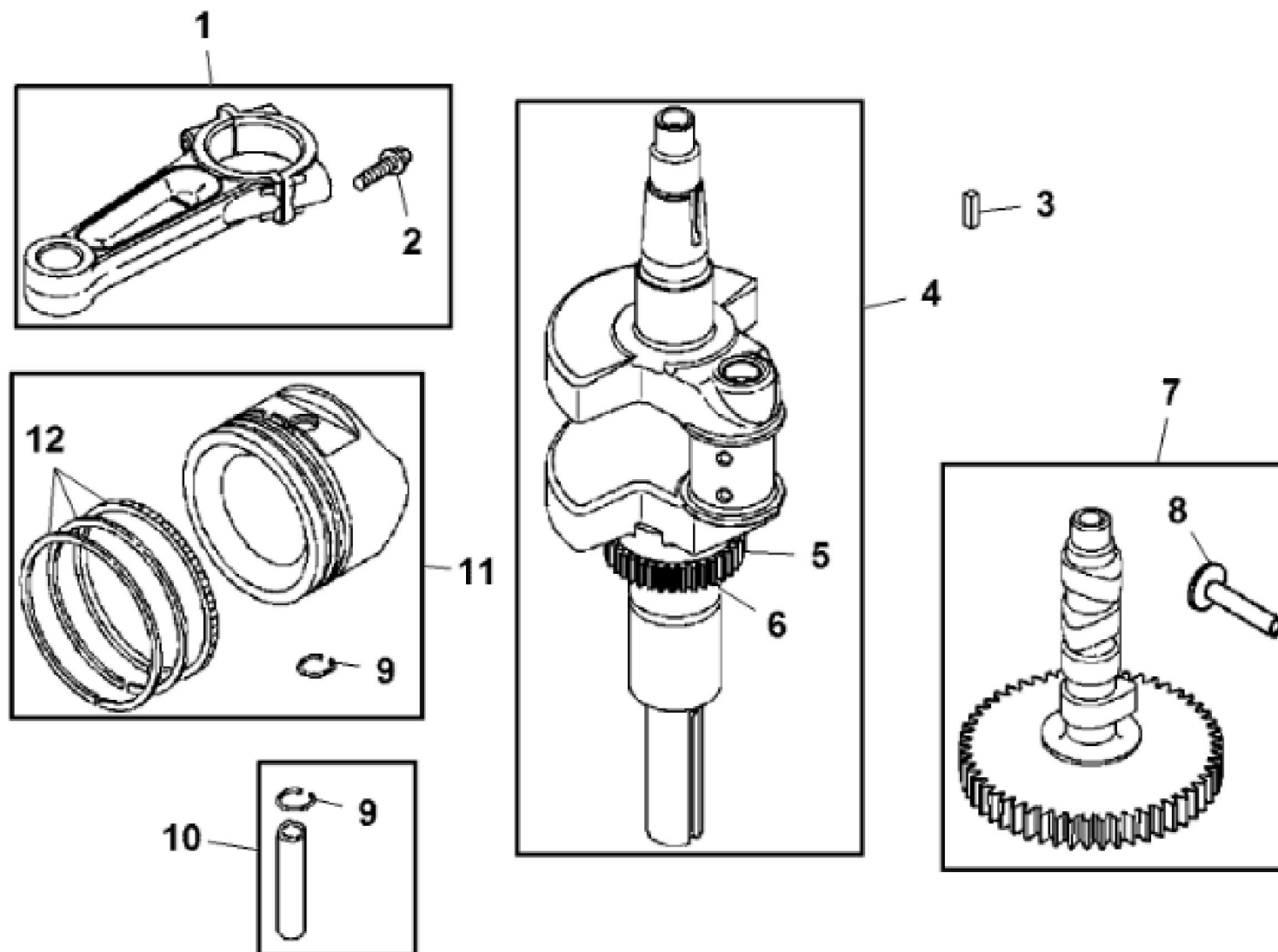
Thank you very much for reading.

Enter the link into your browser.

The full manual is available for immediate download.

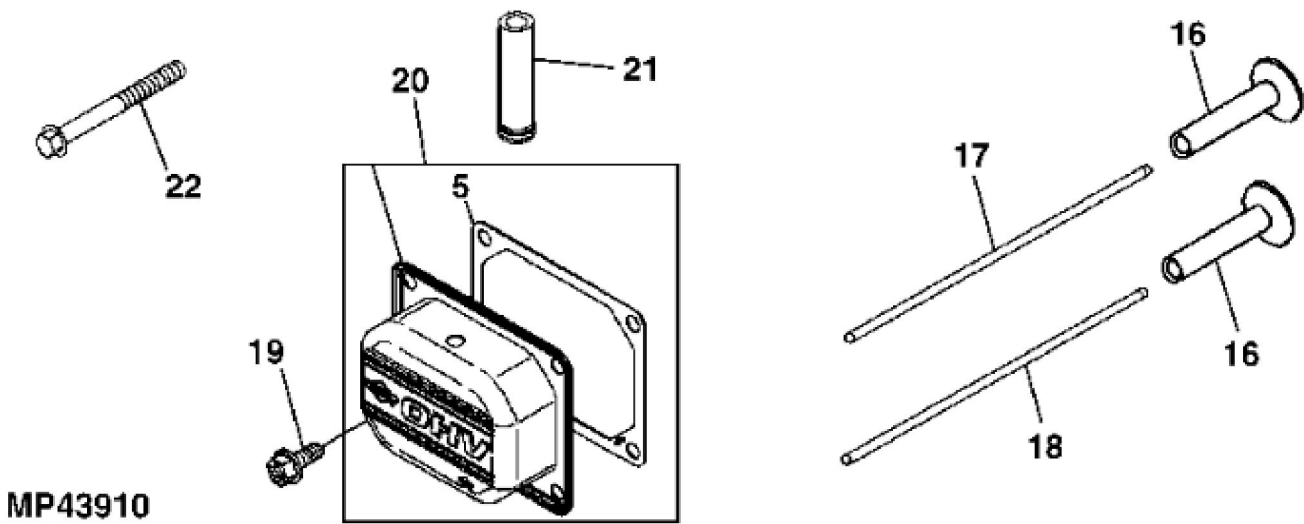
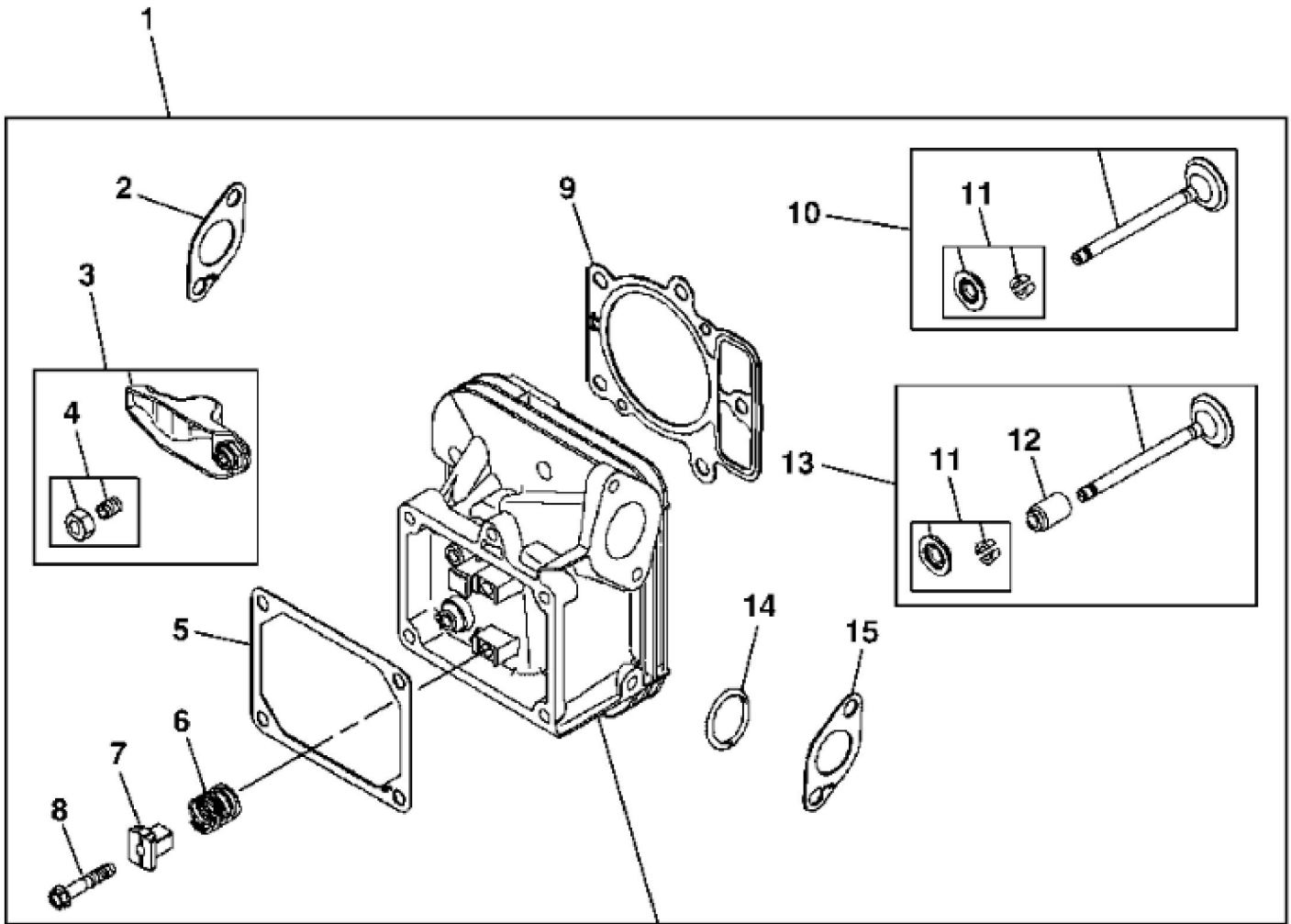
<https://www.ebooklibonline.com>

KEY	PART NO.	PART NAME	QTY	Serial No.	REMARKS
32	MIA11956	GASOLINE ENGINE	1		(Not Illustrated) NLA; ORDER MIA12062; MARKED 44Q977-0110-G1
32	MIA12062	GASOLINE ENGINE	1	____-120000	NLA; ORDER MIA12106
32	MIA12106	GASOLINE ENGINE	1		NLA; ORDER MIA12274
32	MIA12274	GASOLINE ENGINE	1		



PU19290

KEY	PART NO.	PART NAME	QTY	Serial No.	REMARKS
1	MIA11459	CONNECTING ROD	2		
2	LG690976	SCREW	4		
3	LG222698S	SHAFT KEY	1		
4	MIA11457	CRANKSHAFT	1		
5	26H67	SHAFT KEY	1	____-130000	1/8" X 3/8"
5	26H4	SHAFT KEY	1	130001-____	1/8" X 3/8"
6	LG690980	GEAR	1		
7	MIA11789	CAMSHAFT	1		
8	LG690977	TAPPET	4		
9	LG690975	LOCK	2		
10	MIA11458	PISTON PIN	2		
11	MIA10996	PISTON	2		STD
11	MIA11788	PISTON	2		.020" (.50 MM) OS
12	MIU11282	PISTON RING KIT	2		STD; SUB FOR MIU11453
12	MIU11283	PISTON RING KIT	2		.020" (.50 MM) OS





Suggest:

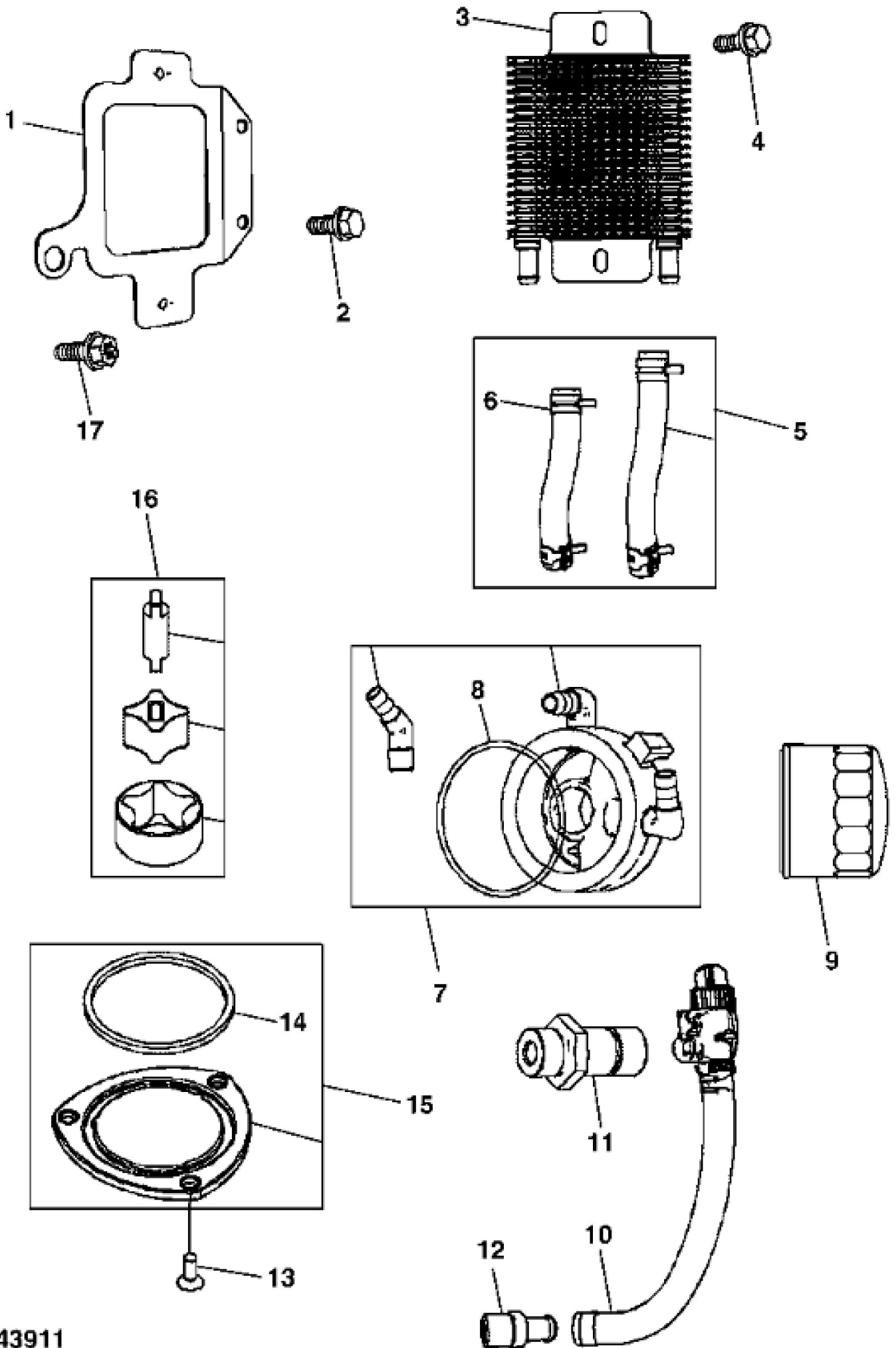
For more complete manuals. Please go to the home page.

<https://www.ebooklibonline.com>

If the above button click is invalid. Please download this document first, and then click the above link to download the complete manual.

Thank you so much for reading

KEY	PART NO.	PART NAME	QTY	REMARKS
1	MIA12007	CYLINDER HEAD	1	(NO. 1)
1	MIA12008	CYLINDER HEAD	1	(NO. 2)
2	LG690970	GASKET	1	EXHAUST
3	LG690972	ROCKER ARM	2	
4	LG690083	ADJUSTER	1	
5	LG690971	GASKET	2	
6	MIU11281	SPRING	2	
7	MIU11035	PIVOT	2	
8	M150390	SCREW	2	
9	M142274	GASKET	1	
10	MIU11451	EXHAUST VALVE	1	
11	LG499586	RETAINER	2	
12	LG690968	SEAL	1	
13	MIU11452	INTAKE VALVE	1	
14	MIU10608	O-RING	1	ORDER LG691917; Intake Manifold
14	LG691917	GASKET	2	
15	LG690949	GASKET	1	INTAKE
16	LG690977	TAPPET	4	
17	LG690981	PUSH ROD	2	EXHAUST (STEEL)
18	LG690982	PUSH ROD	2	INTAKE (ALUMINUM)
19	LG691127	SCREW	8	
20	MIA10873	COVER	1	(CYLINDER NO. 1)
20	LG499600	COVER	1	(CYLINDER NO. 2)
21	MIU12502	HOSE	1	ORDER MIU14398; Vacuum
21	MIU14398	HOSE	1	
22	MIU14366	SCREW	10	SUB FOR MIU11632



<https://www.ebooklibonline.com>

Hello dear friend!

Thank you very much for reading.

Enter the link into your browser.

The full manual is available for immediate download.

<https://www.ebooklibonline.com>