

PU14298

KEY	PART NO.	PART NAME	QTY	REMARKS	
1	MIA13040	GASOLINE ENGINE	1	MARKED 44T977-0015-G1	
2	14H786	NUT	1	1/4"	
3	GX24210	SCREW	4		

<https://www.ebooklibonline.com>

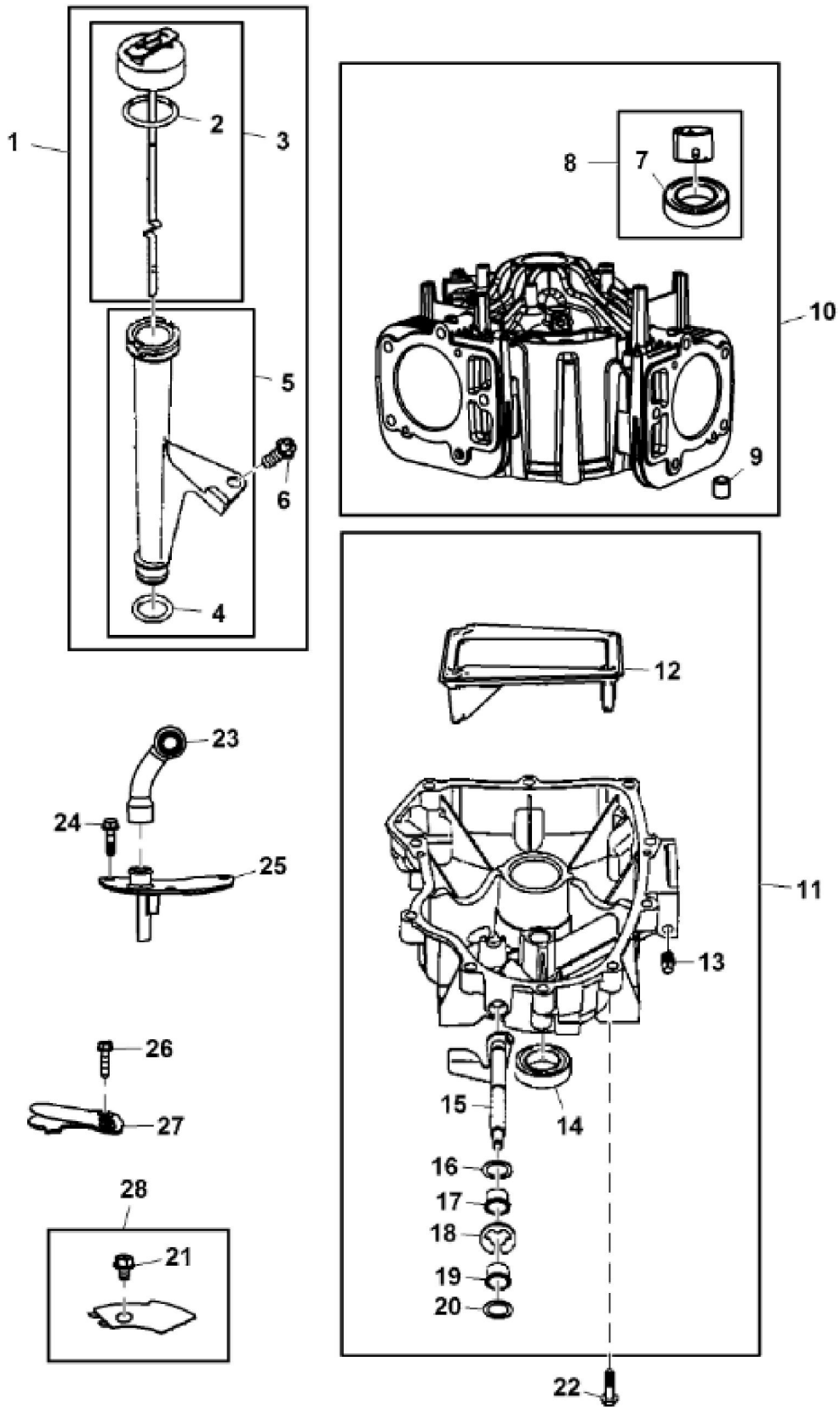
Hello dear friend!

Thank you very much for reading.

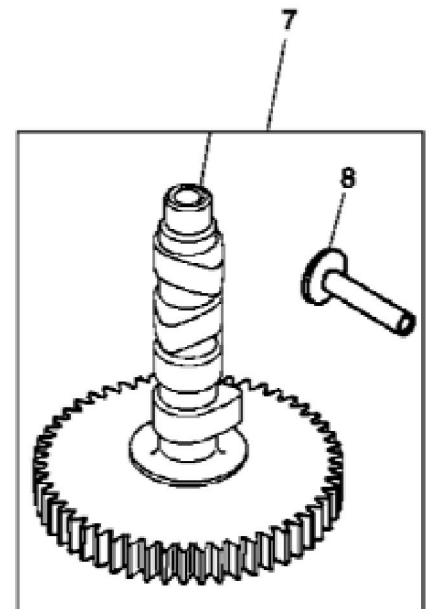
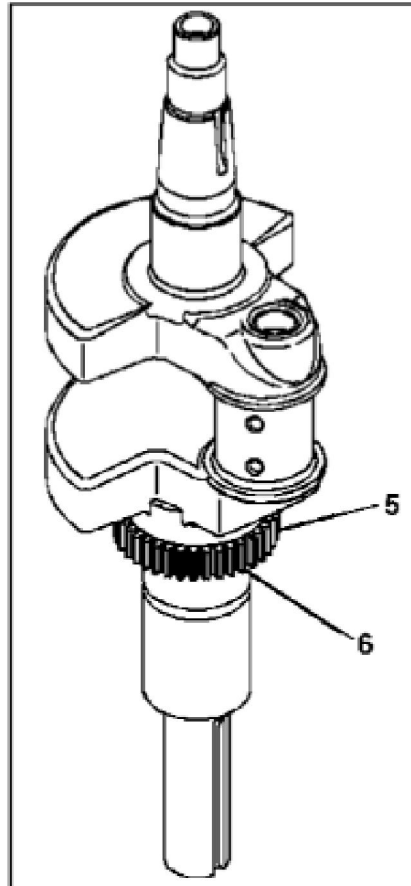
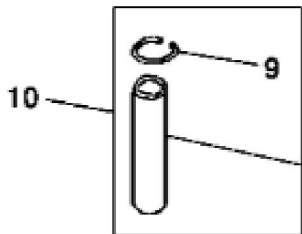
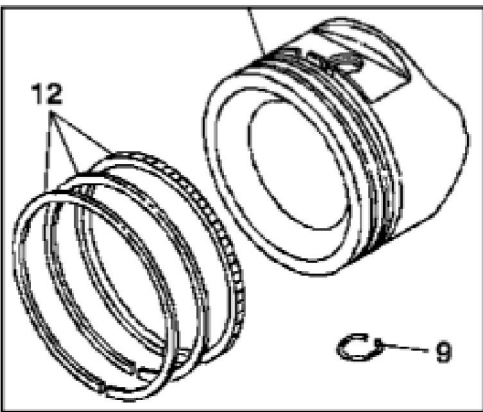
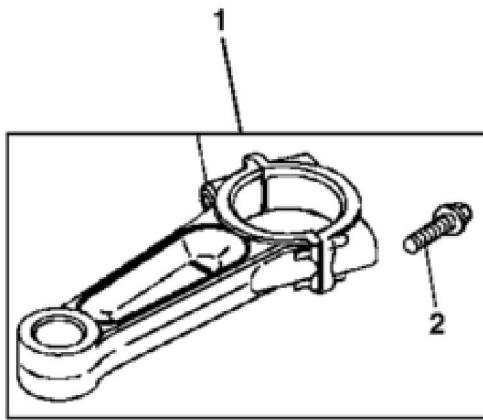
Enter the link into your browser.

The full manual is available for immediate download.

<https://www.ebooklibonline.com>



KEY	PART NO.	PART NAME	QTY	REMARKS
1	UC11104	DIPSTICK	1	SUB FOR LG499602
2	LG691031	O-RING	1	
3	LG691036	DIPSTICK	1	
4	LG691032	SEAL	1	O-Ring (Tube, Oil Fill)
5	LG691037	OIL TUBE	1	
6	M153266	SCREW	1	Gear, Timing
7	LG391086S	SEAL	1	
8	MIA11778	BUSHING KIT	1	
9	LG690959	DOWEL PIN	6	
10	MIA13076	CYLINDER BLOCK	1	
11	MIA12035	RESERVOIR	1	
12	MIU12140	SCREEN	1	
13	15H638	PIPE PLUG	1	1/8"
14	MIU11958	SEAL	1	
15	LG691045	CRANK	1	
16	M142280	WASHER	1	Governor Crank
17	M142282	BUSHING	2	Governor Crank
18	M142286	RETAINER	2	
19	MIU12503	BUSHING	1	Governor Crank
20	MIU11284	SEAL	1	Governor Shaft
21	MIU14464	SCREW	1	
22	M142896	SCREW	10	Crankcase Cover, Sump
23	MIU14443	TUBE	1	
24	LG691108	SCREW	3	
25	MIU14444	COVER	1	Breather Passage
26	MIU14448	SCREW	1	Reed-Breather
27	MIU14445	VALVE	3	Reed-Breather
28	MIA13077	PLATE	1	Baffle





Suggest:

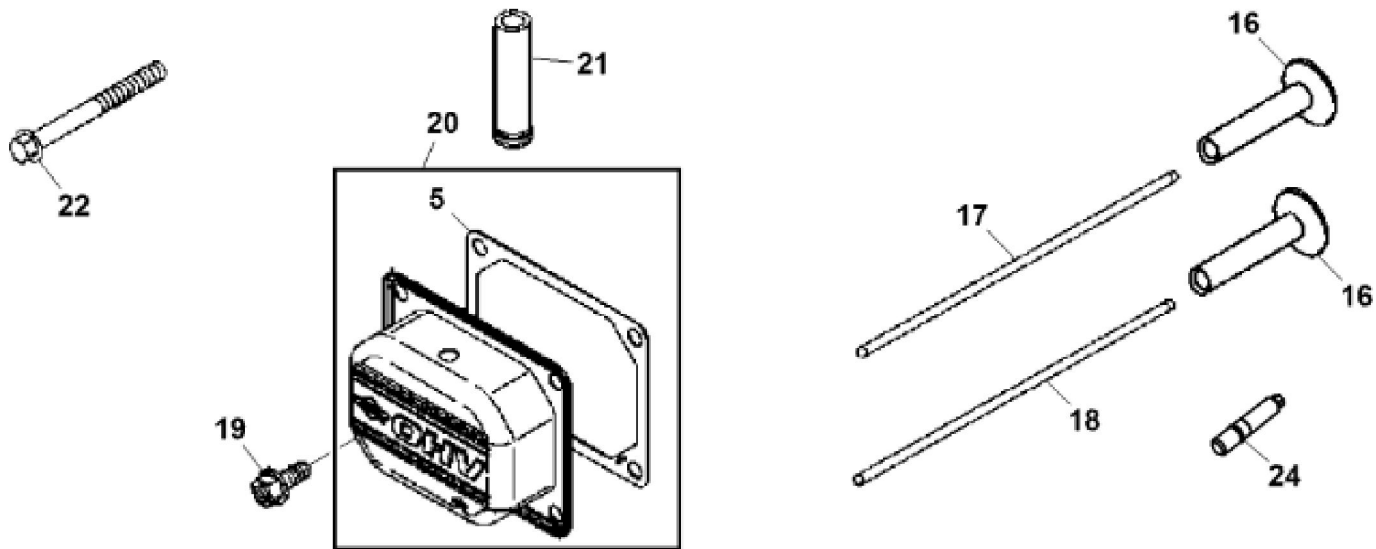
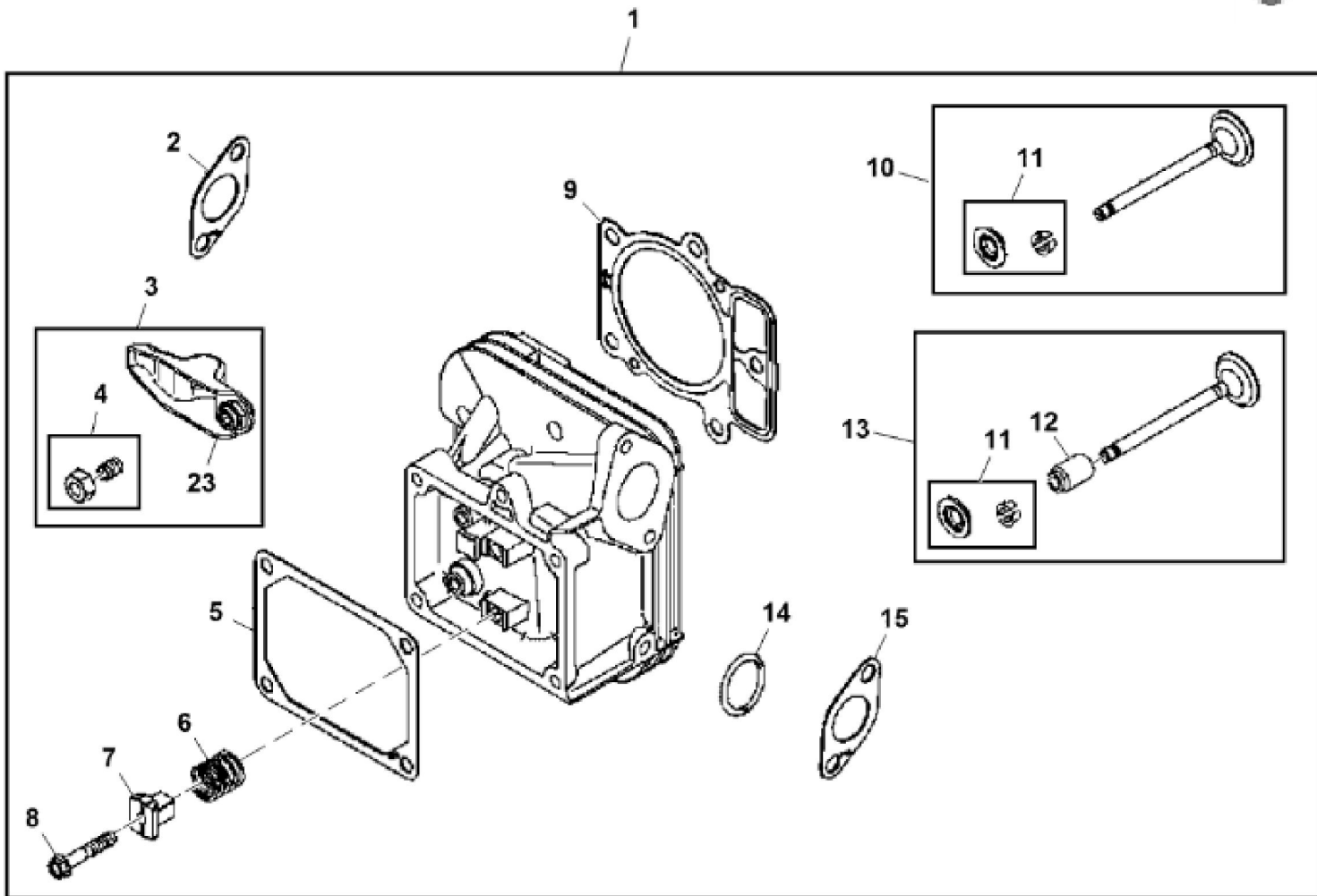
For more complete manuals. Please go to the home page.

<https://www.ebooklibonline.com>

If the above button click is invalid. Please download this document first, and then click the above link to download the complete manual.

Thank you so much for reading

KEY	PART NO.	PART NAME	QTY	REMARKS	
1	MIA11459	CONNECTING ROD	2		
2	LG690976	SCREW	2		
3	LG222698S	SHAFT KEY	1	Flywheel	
4	MIA11457	CRANKSHAFT	1		
5	26H4	SHAFT KEY	1	1/8" X 3/8"	
6	LG690980	GEAR	1	Timing	
7	MIA11789	CAMSHAFT	1		
8	LG690977	TAPPET	4		
9	LG690975	LOCK	4		
10	MIA11458	PISTON PIN	2		
11	MIA11036	PISTON	2	Standard	
11	MIA11037	PISTON	2	0.020 inch, OS	
12	MIU11282	PISTON RING KIT	1	Standard	
12	MIU11283	PISTON RING KIT	1	0.020 inch, OS	



<https://www.ebooklibonline.com>

Hello dear friend!

Thank you very much for reading.

Enter the link into your browser.

The full manual is available for immediate download.

<https://www.ebooklibonline.com>